

Prepared For:
GORHAM SAVINGS BANK
 10 WENTWORTH DRIVE
 GORHAM, ME 04038

Consultant:
Building Envelope Specialists
 P.O. BOX 2389, SOUTH PORTLAND, MAINE 04114
 PHONE: 207-860-0096

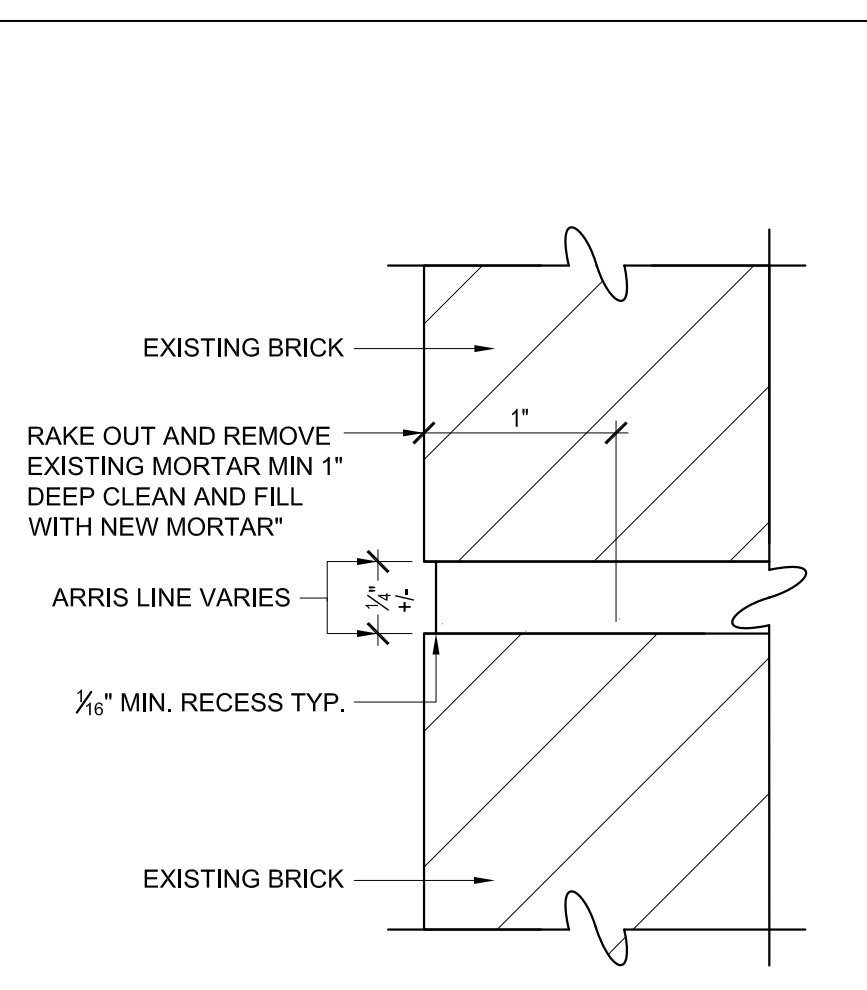
Architect:
ARCHETYPE architects
 48 Union Wharf Portland, Maine 04101
 (207) 772-6022 ARCHETYPE@ARCHETYPEPA.COM

Project:
GRAND TRUNK BUILDING
 1 LINDA STREET
 PORTLAND, ME

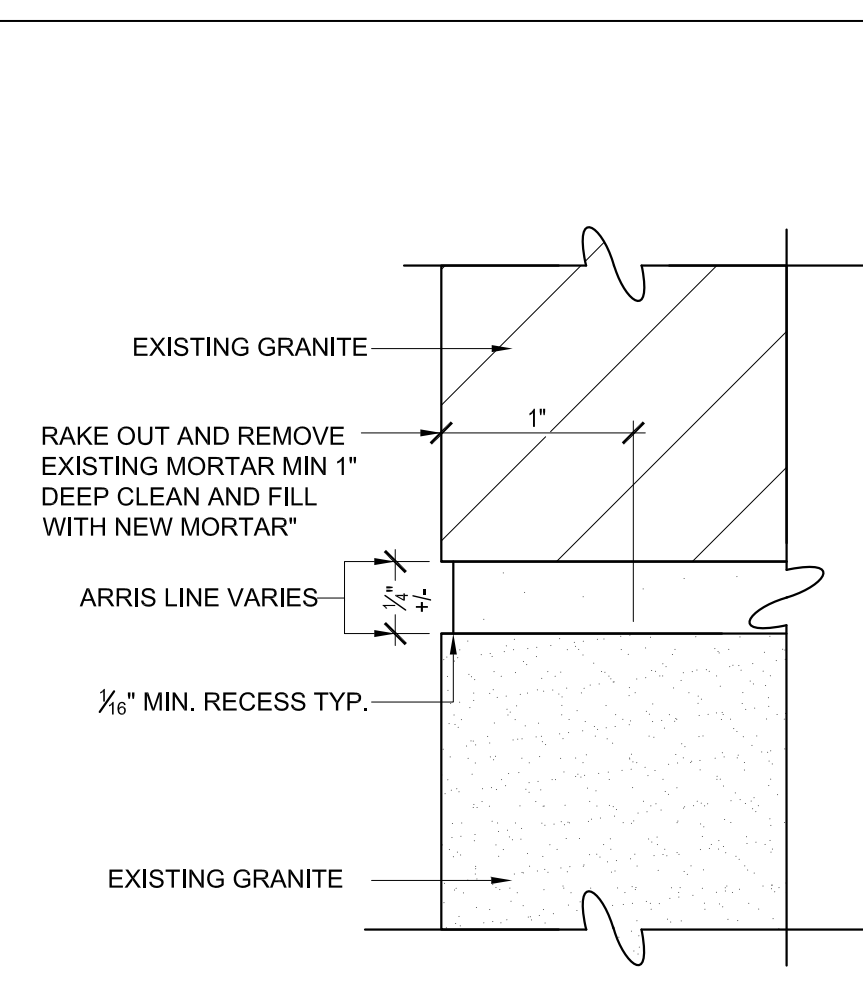
Revisions:

Date: **MAR 10 2016**
 Scale: **As indicated**
ELEVATION, NOTES AND KEY PLAN

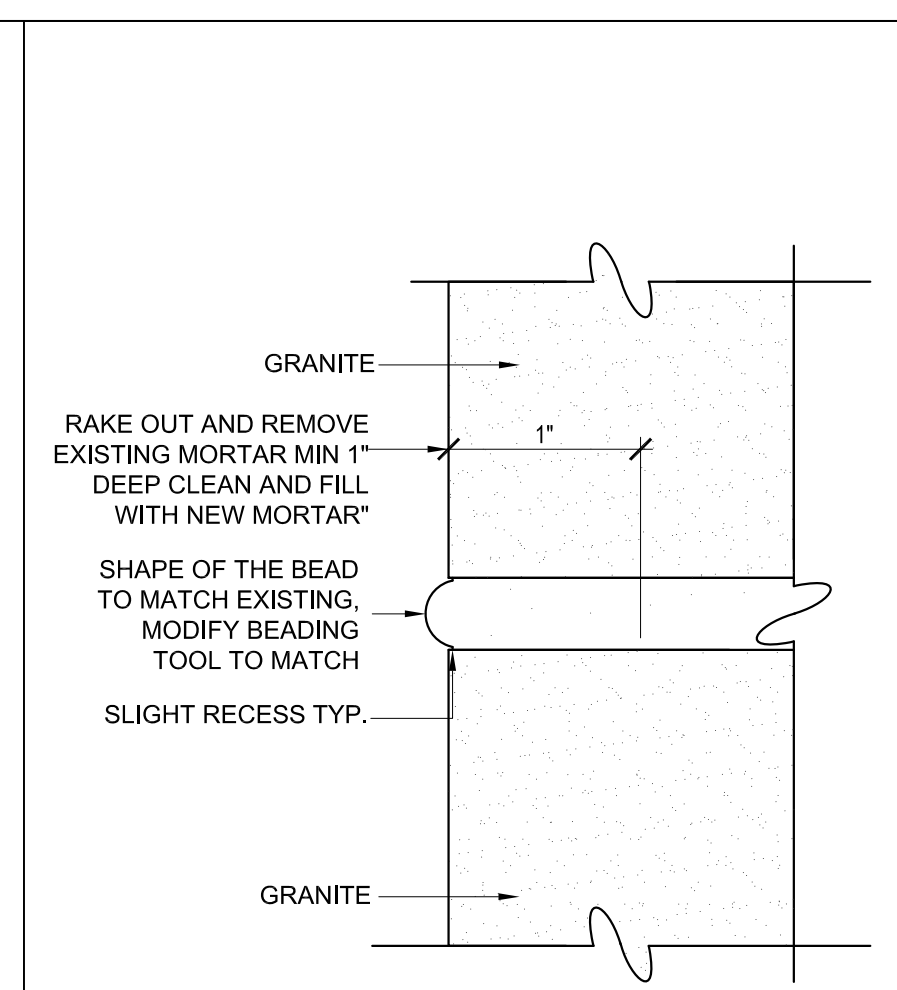
BE4



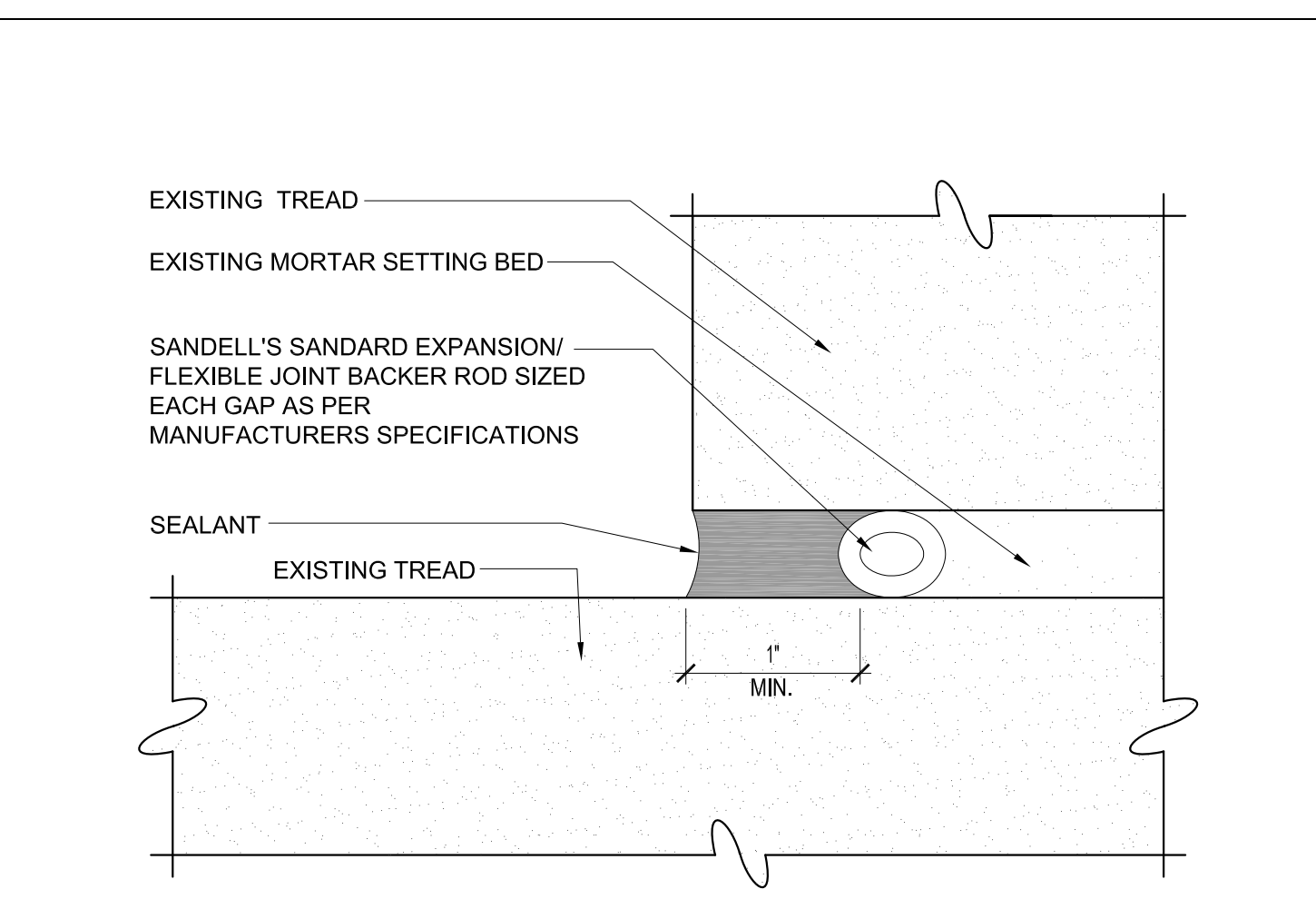
8 MORTAR JOINT ARRIS LINE
 BRICK TO BRICK SCALE: 1"=1"



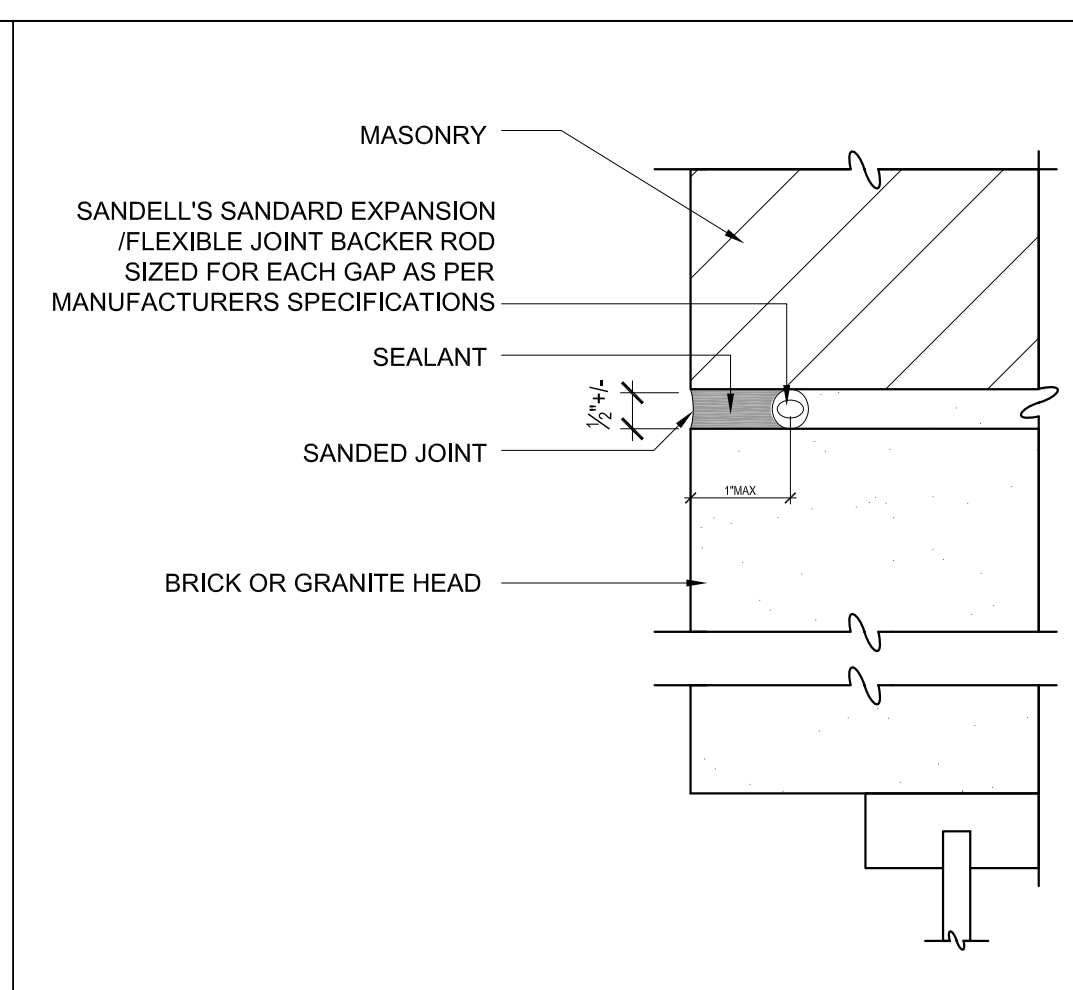
9 MORTAR JOINT ARRIS LINE
 BRICK TO TERRA COTTA SCALE: 1"=1"



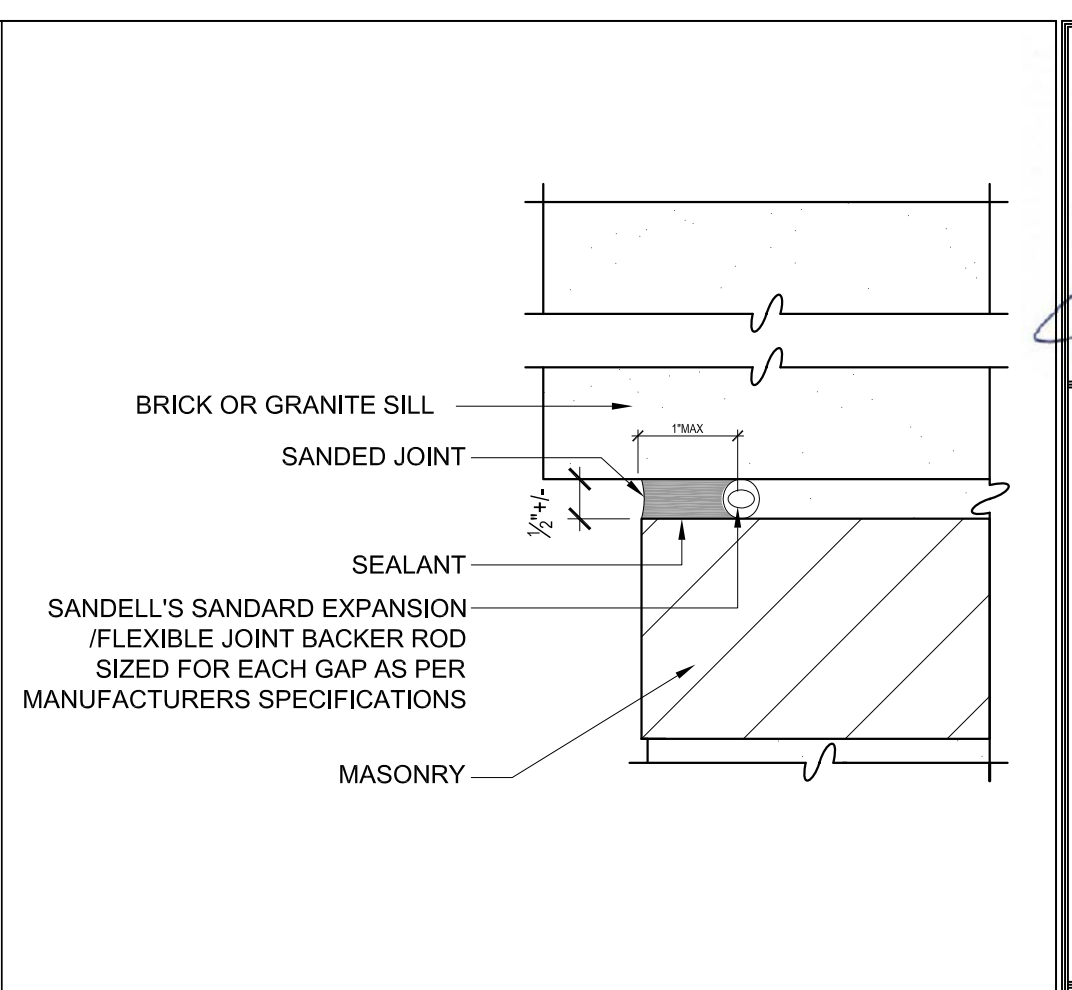
10 GRANITE BEAD JOINT TYP
 SCALE: 1"=1"



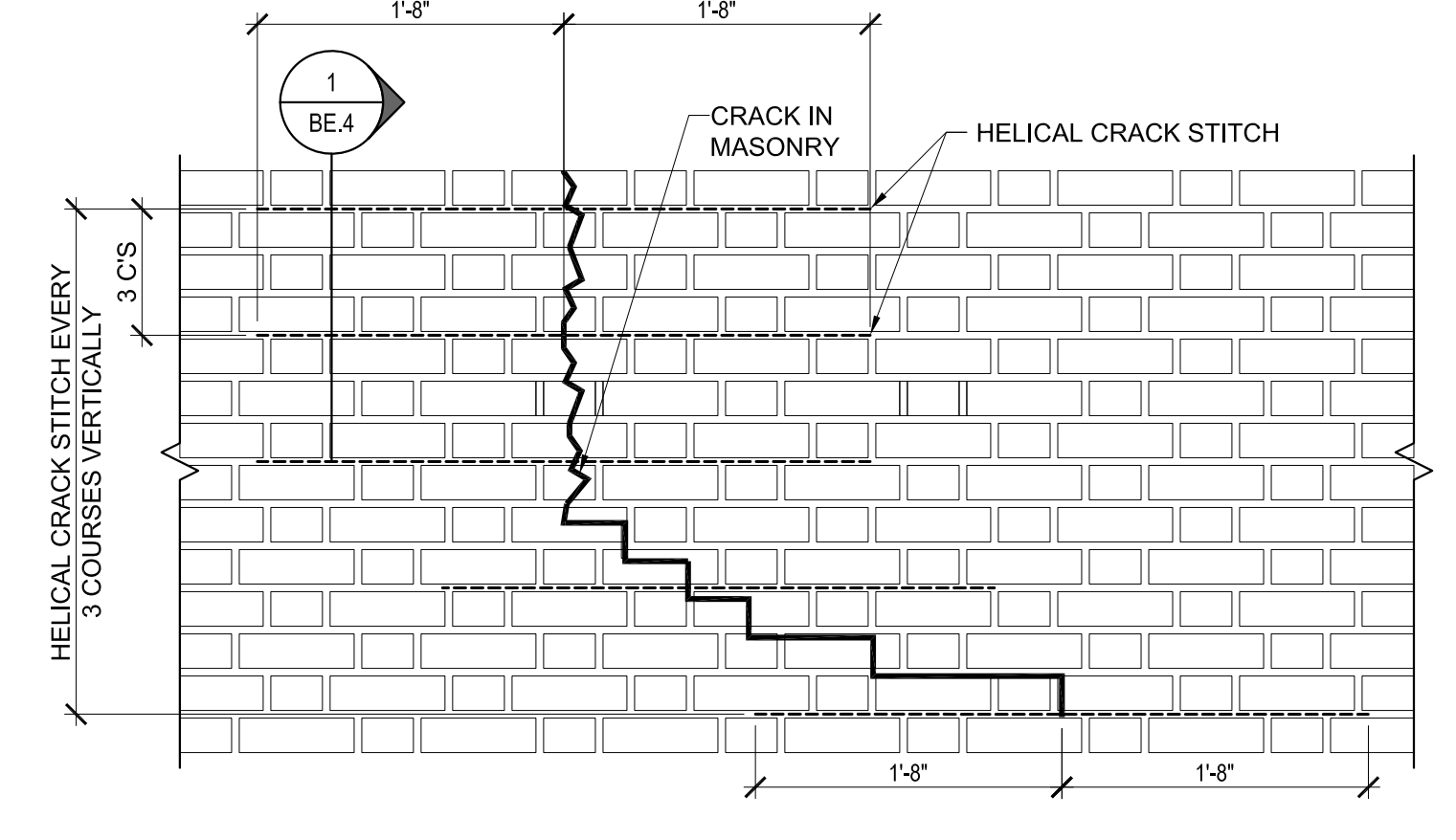
11 SEALANT AT STAIR
 SCALE: 1"=1"



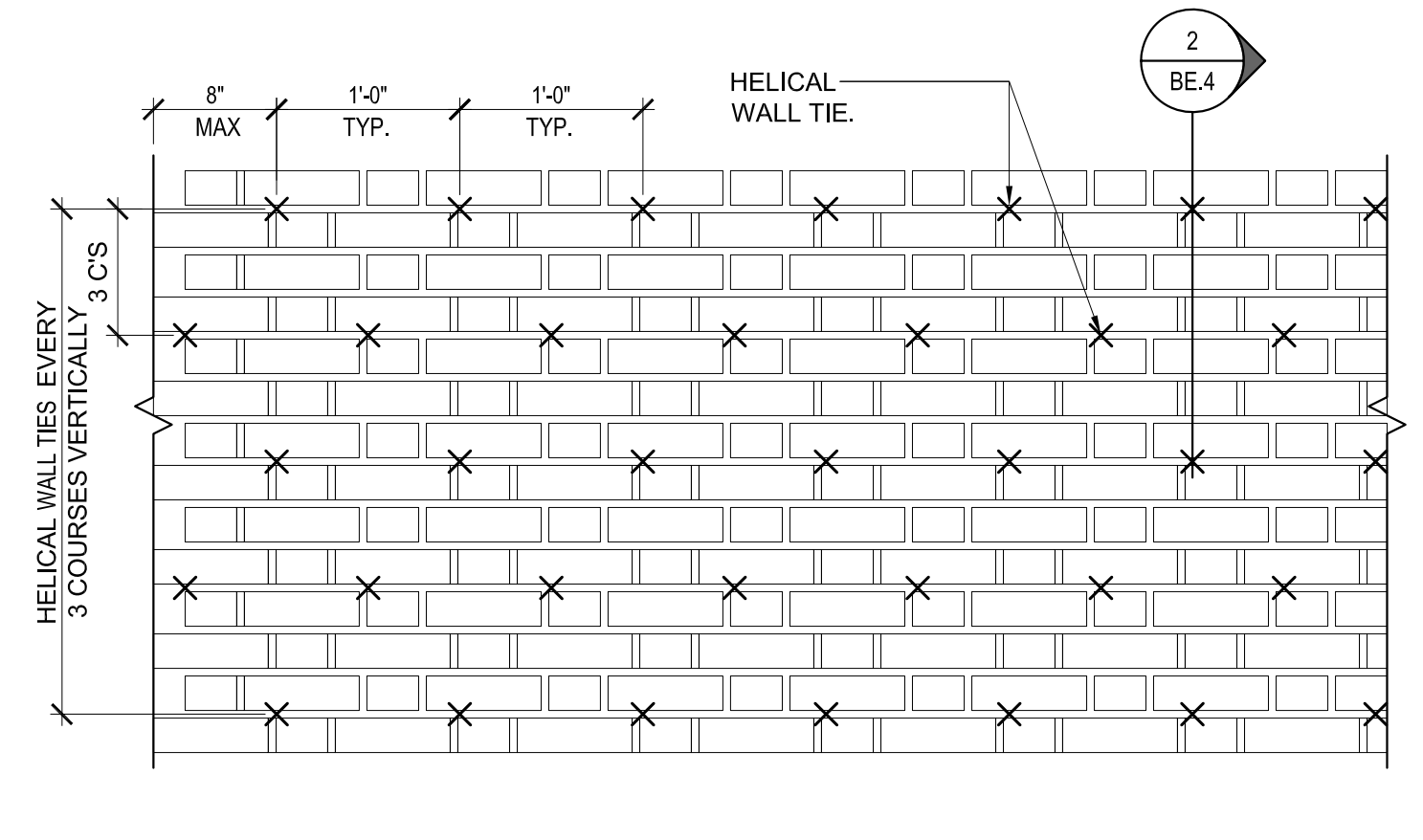
12 BACKER ROD DETAIL AT HEAD
 SCALE: 6"=1"



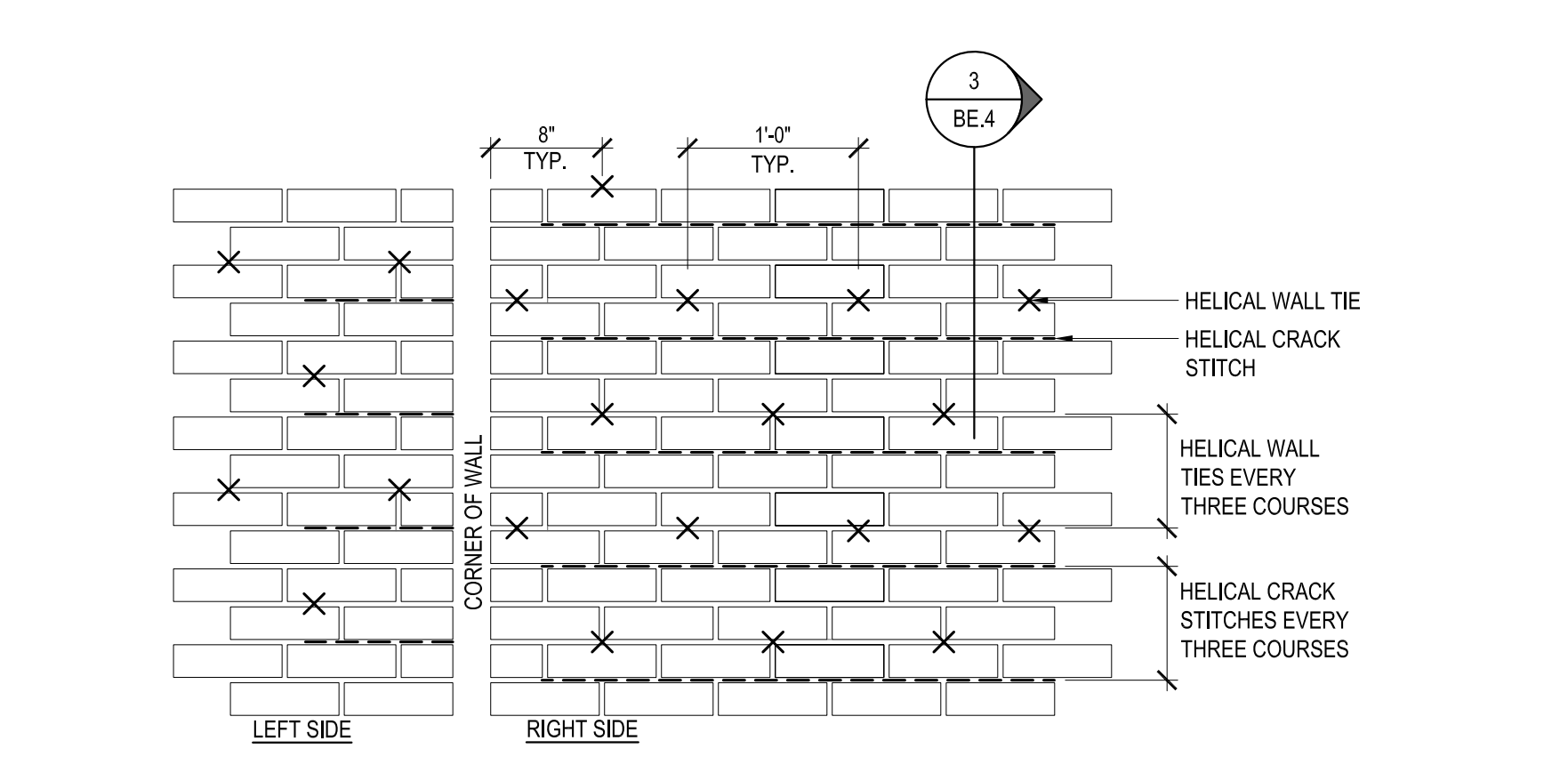
13 BACKER ROD DETAIL AT SILL
 SCALE: 6"=1"



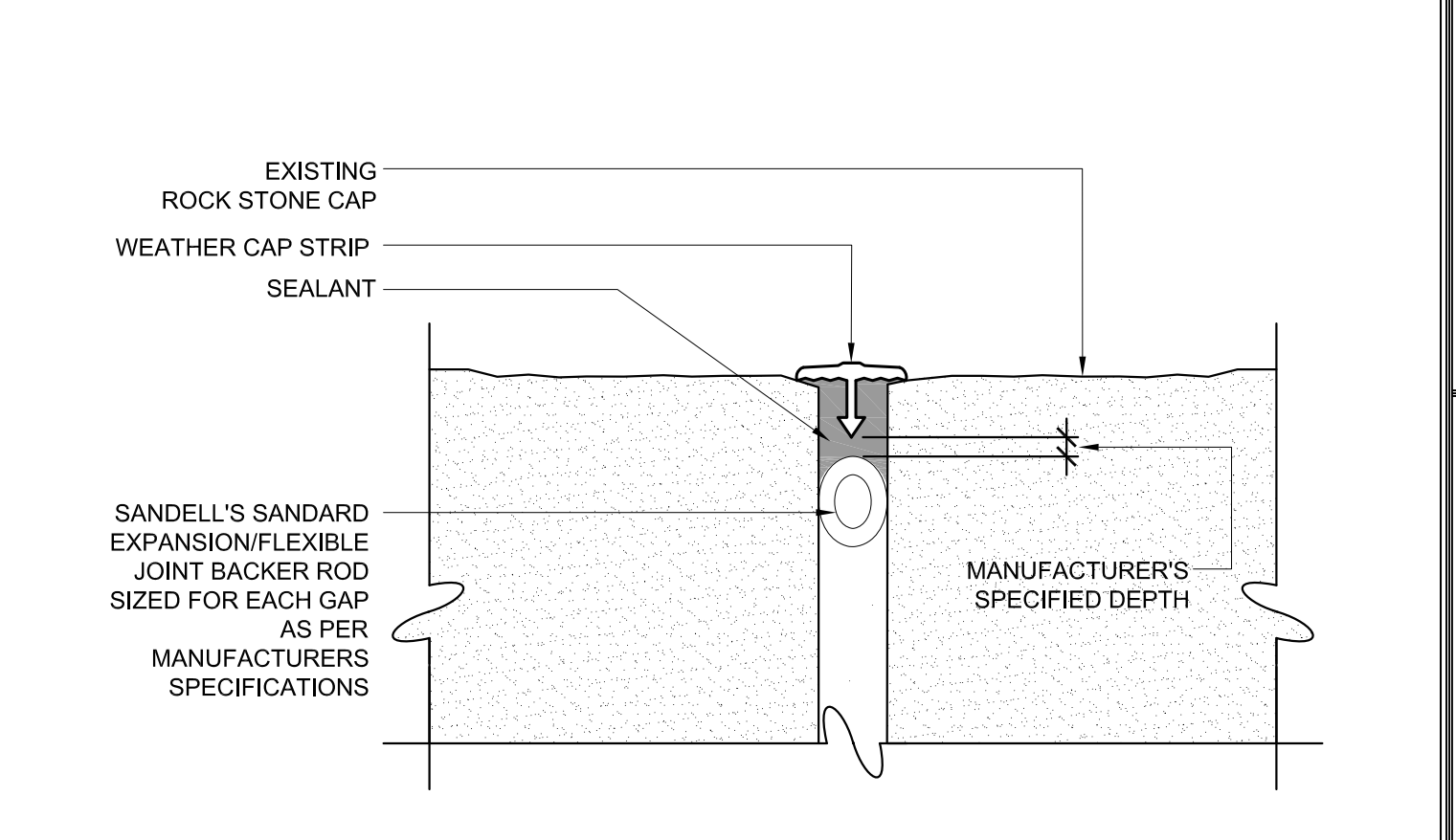
4 HELICAL CRACK STITCH INSTALLATION
 SCALE: 1"=1"



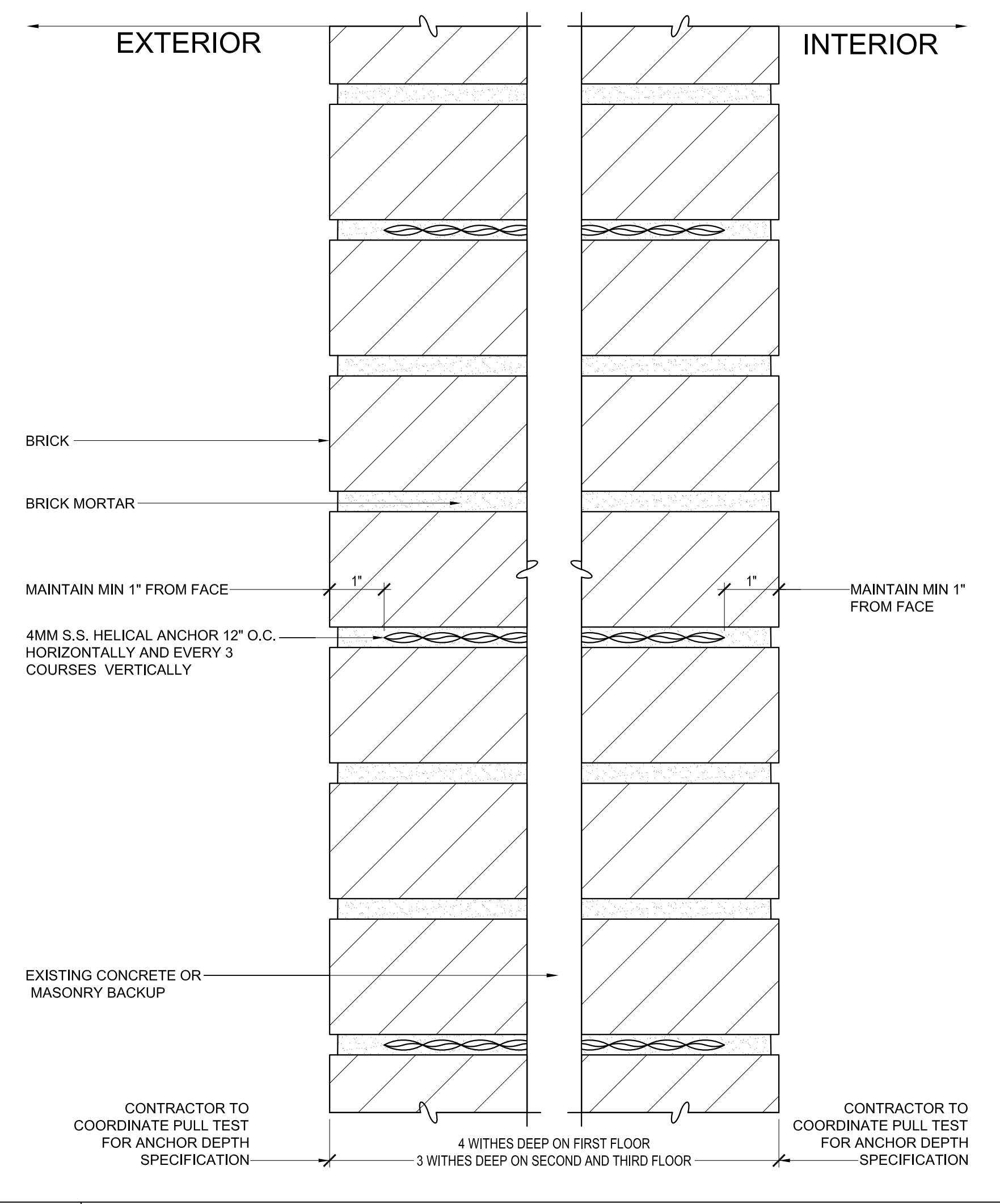
5 HELICAL WALL TIE INSTALLATION
 SCALE: 1"=1"



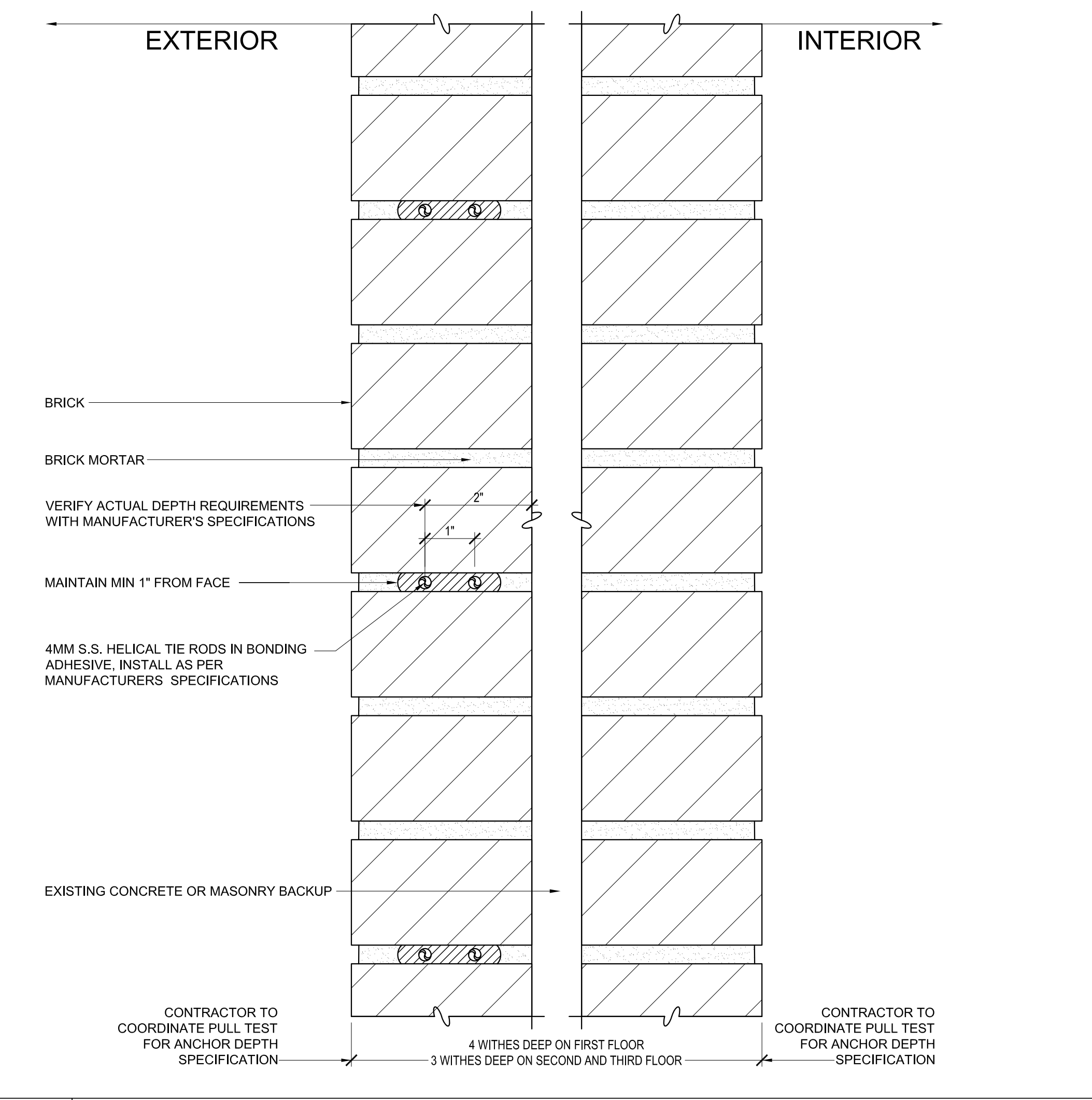
6 HELICAL WALL TIE AND CRACK STITCH INSTALLATION
 SCALE: 1"=1"



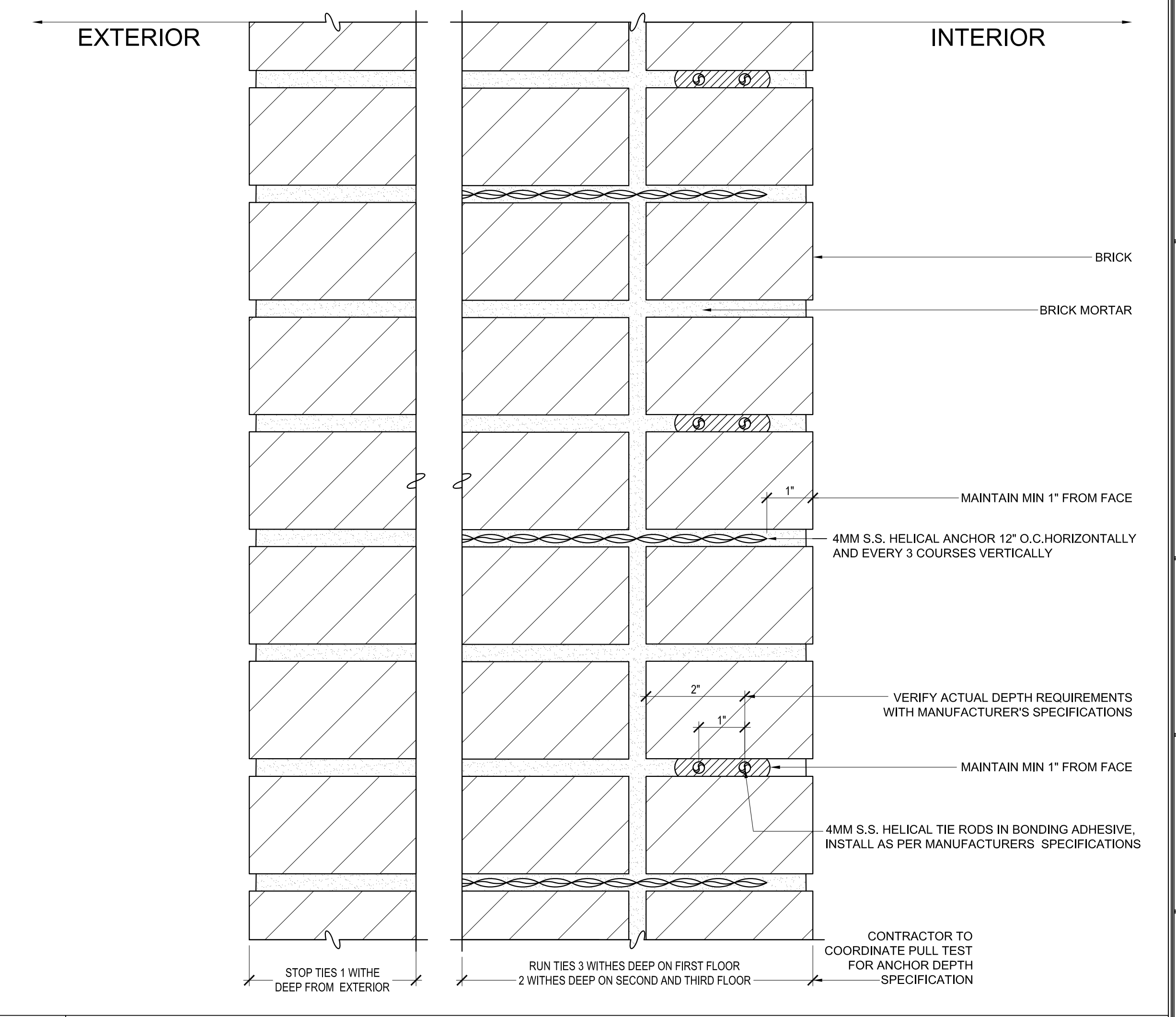
7 WEATHER CAP DETAIL
 SCALE: 1"=1"



1 HELICAL CRACK STITCH INSTALLATION
 SCALE: 6"=1"



2 HELICAL WALL TIE INSTALLATION
 SCALE: 6"=1"



3 HELICAL CRACK STITCH AND WALL TIE INSTALLATION
 SCALE: 6"=1"