

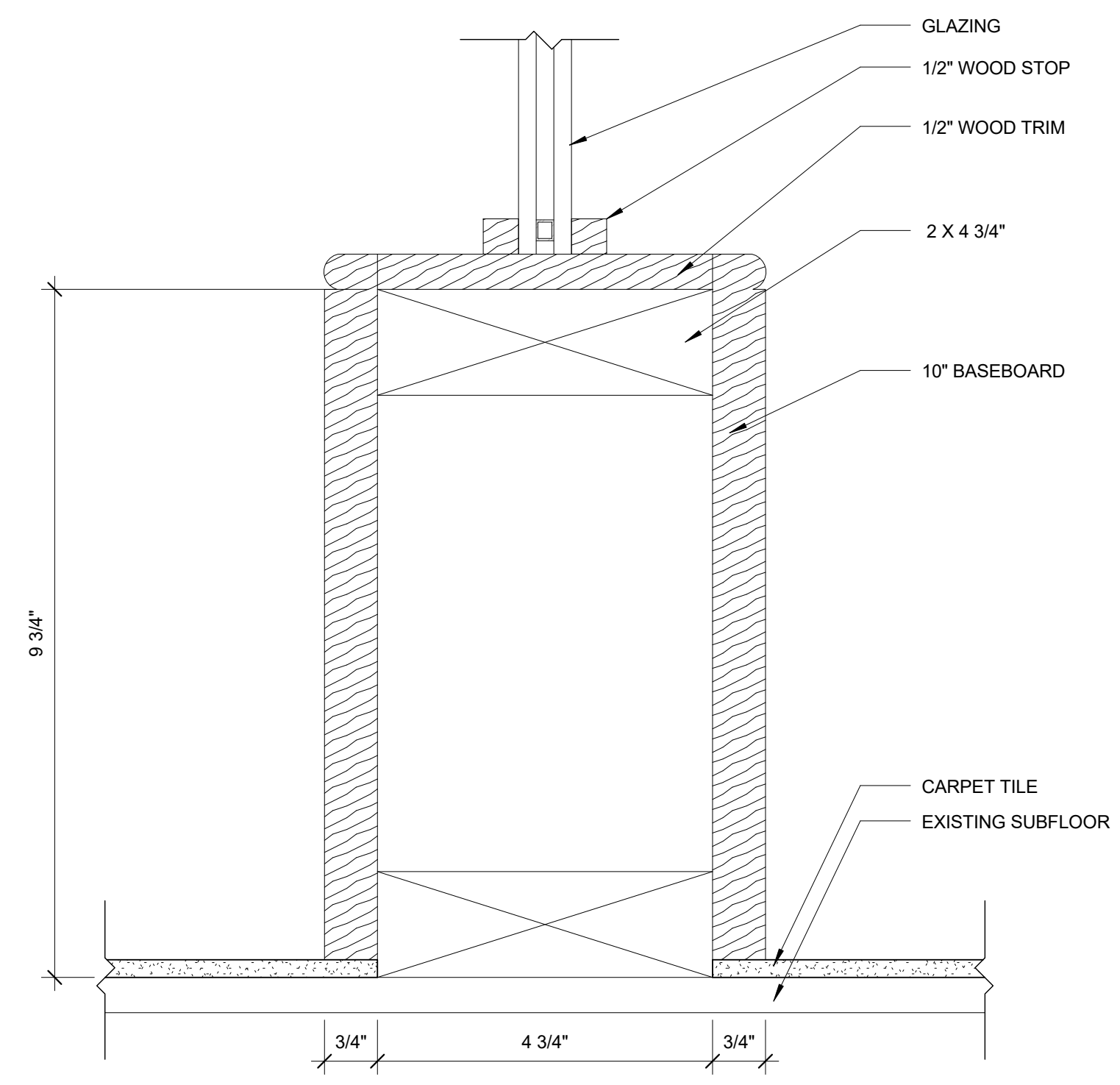
Prepared For:  
**GORHAM SAVINGS BANK**  
 10 WENTWORTH DRIVE  
 GORHAM, ME 04038

Consultant:  
**ARCHETYPE architects**  
 48 Union Wharf Portland, Maine 04101  
 (207) 772-6022 ARCHETYPE@ARCHETYPEPA.COM

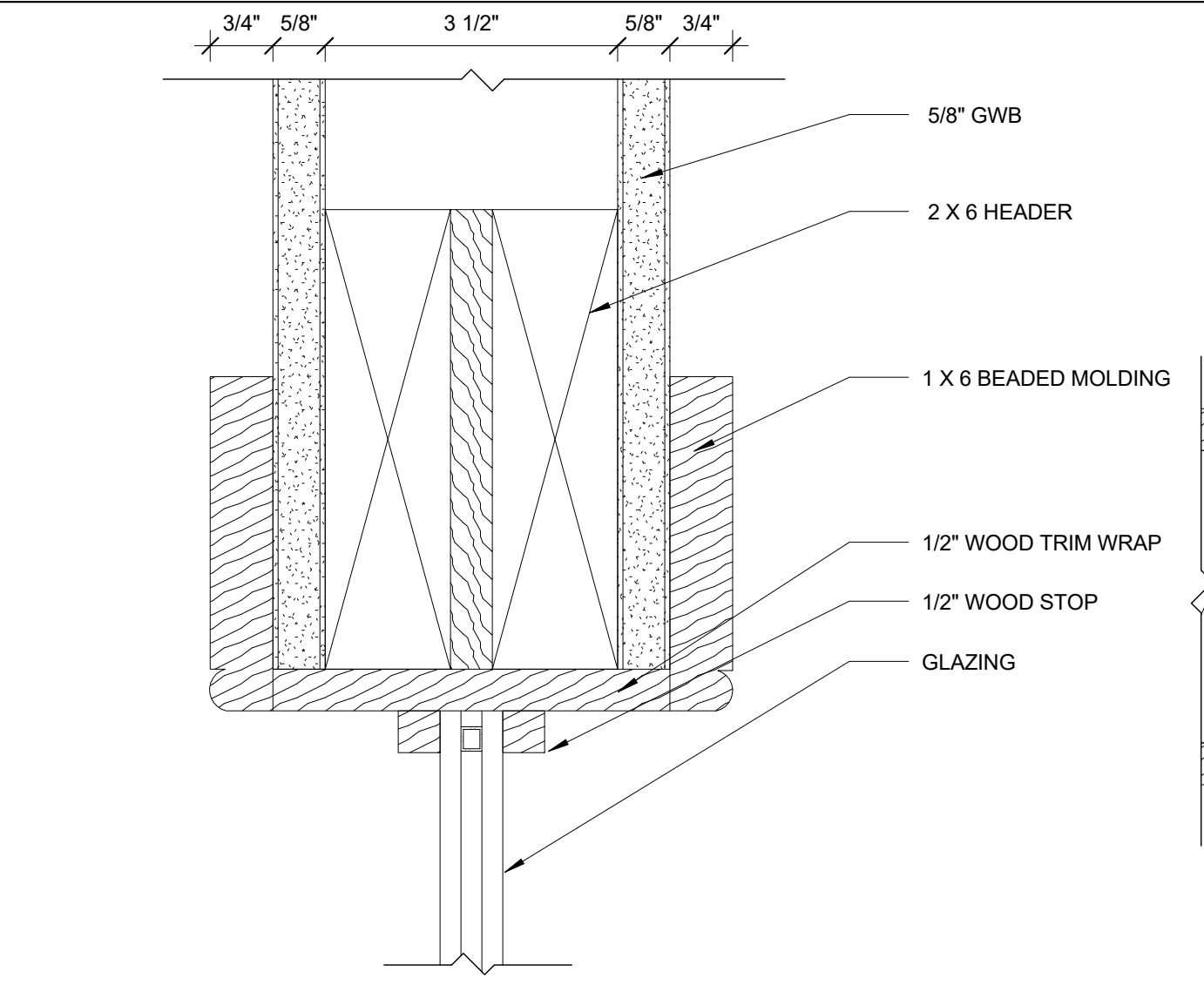
Project:  
**GRAND TRUNK BUILDING**  
 LINDIA STREET  
 PORTLAND, ME

Revisions:  
 Date: **MAR 10 2016**  
 Scale: **As indicated**  
**INTERIOR ELEVATIONS**

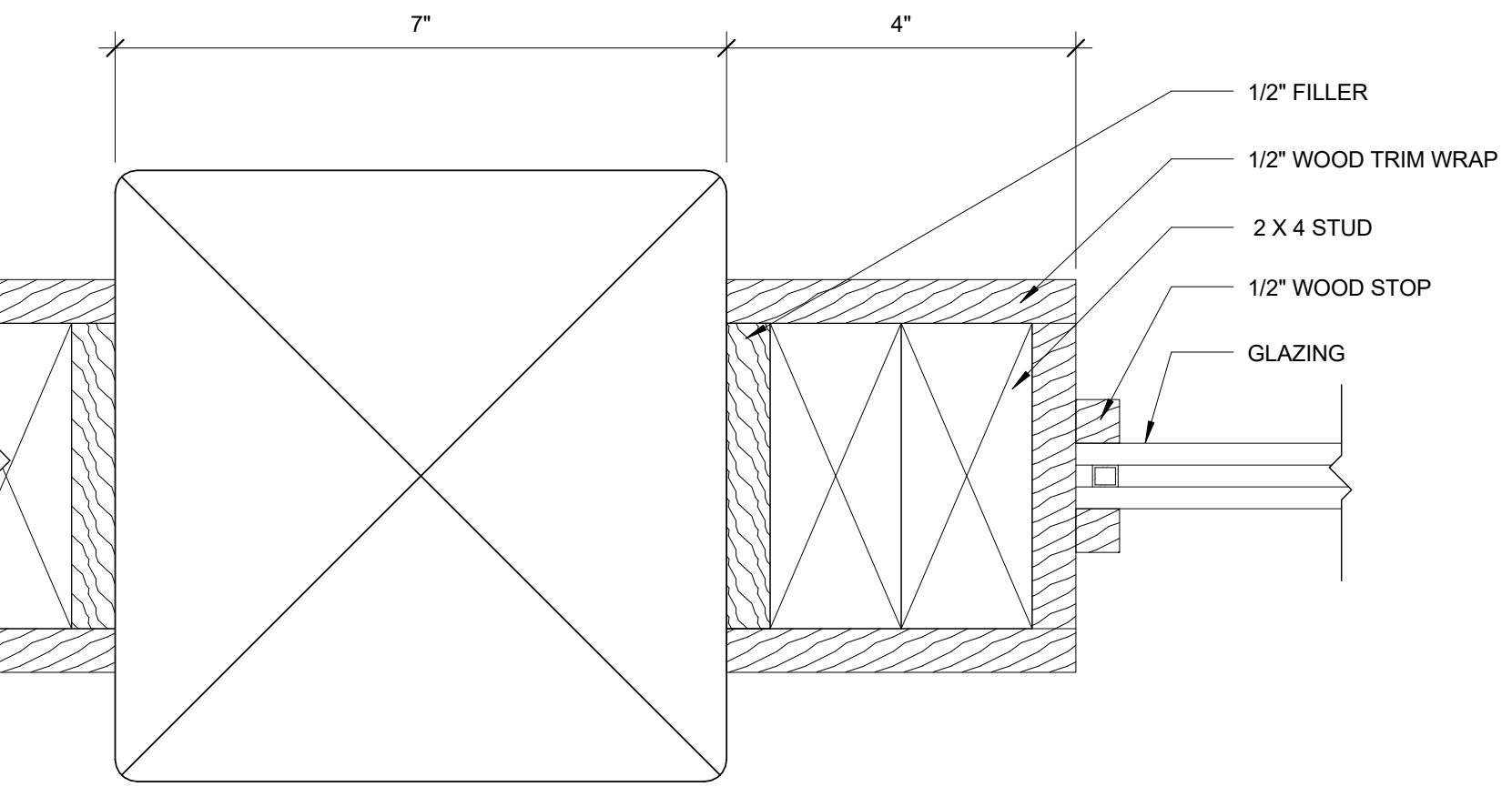
**A6.00**



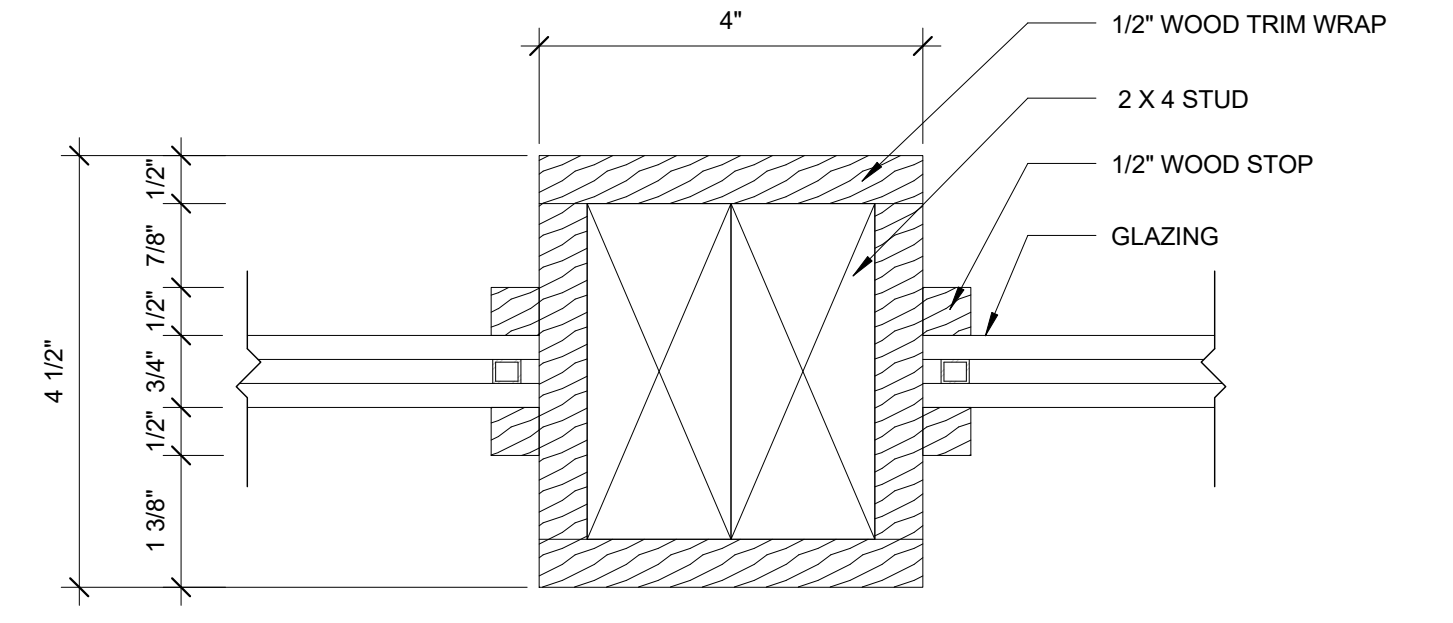
**8 | THIRD FLOOR INTERIOR GLAZING AT BASE**  
 6" = 1'-0"



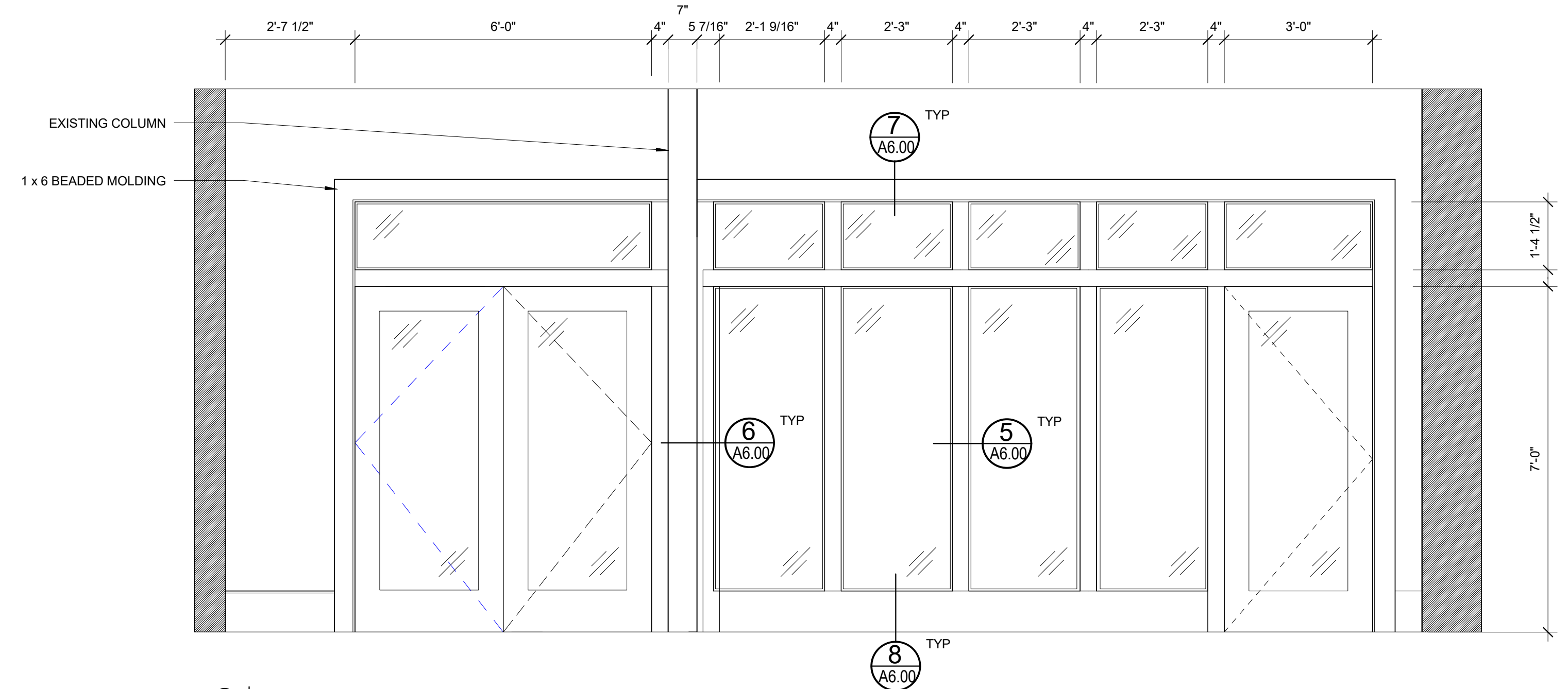
**7 | THIRD FLOOR INTERIOR GLAZING AT HEAD**  
 6" = 1'-0"



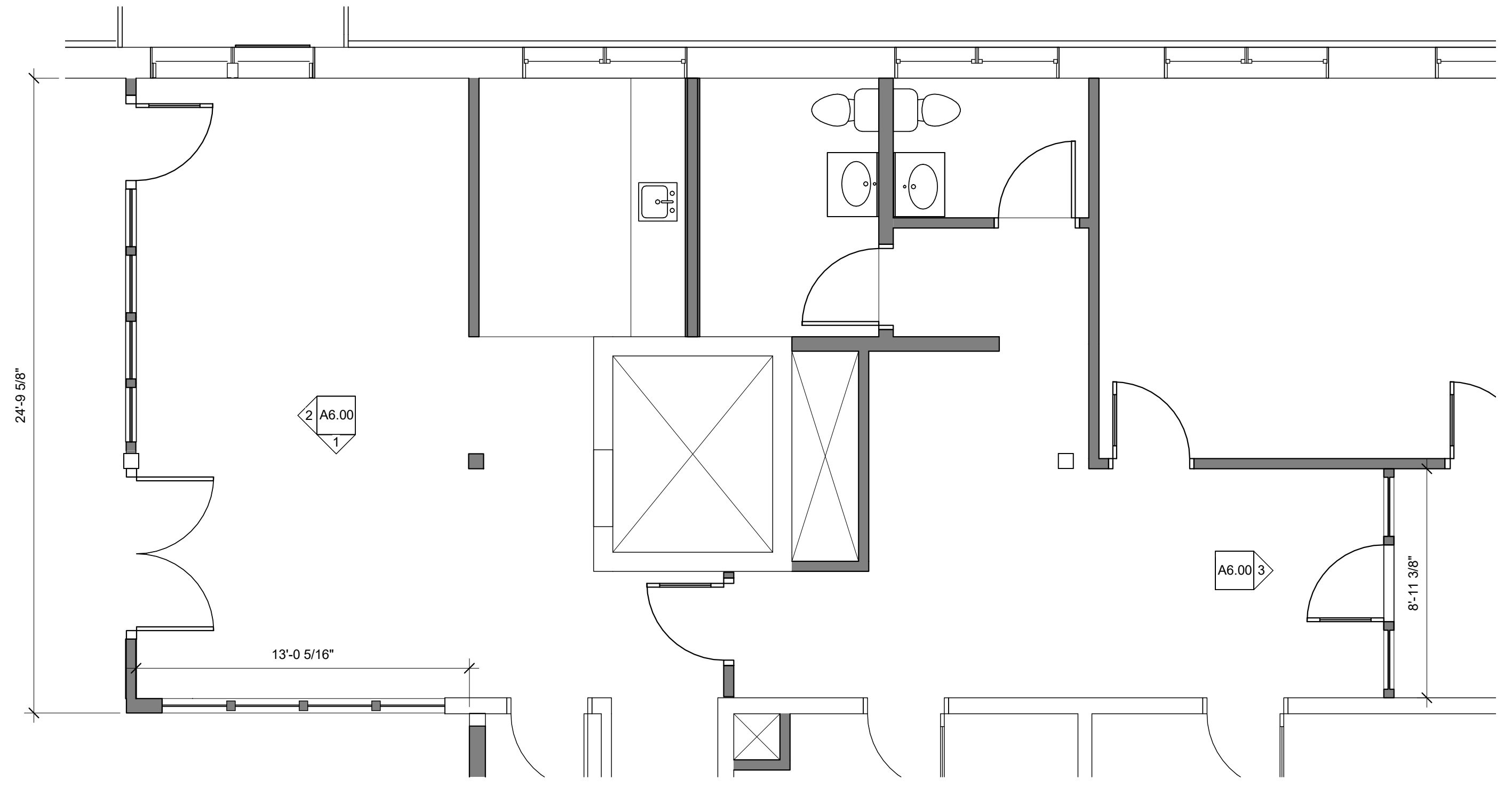
**6 | THIRD FLOOR INTERIOR GLAZING AT COLUMN**  
 6" = 1'-0"



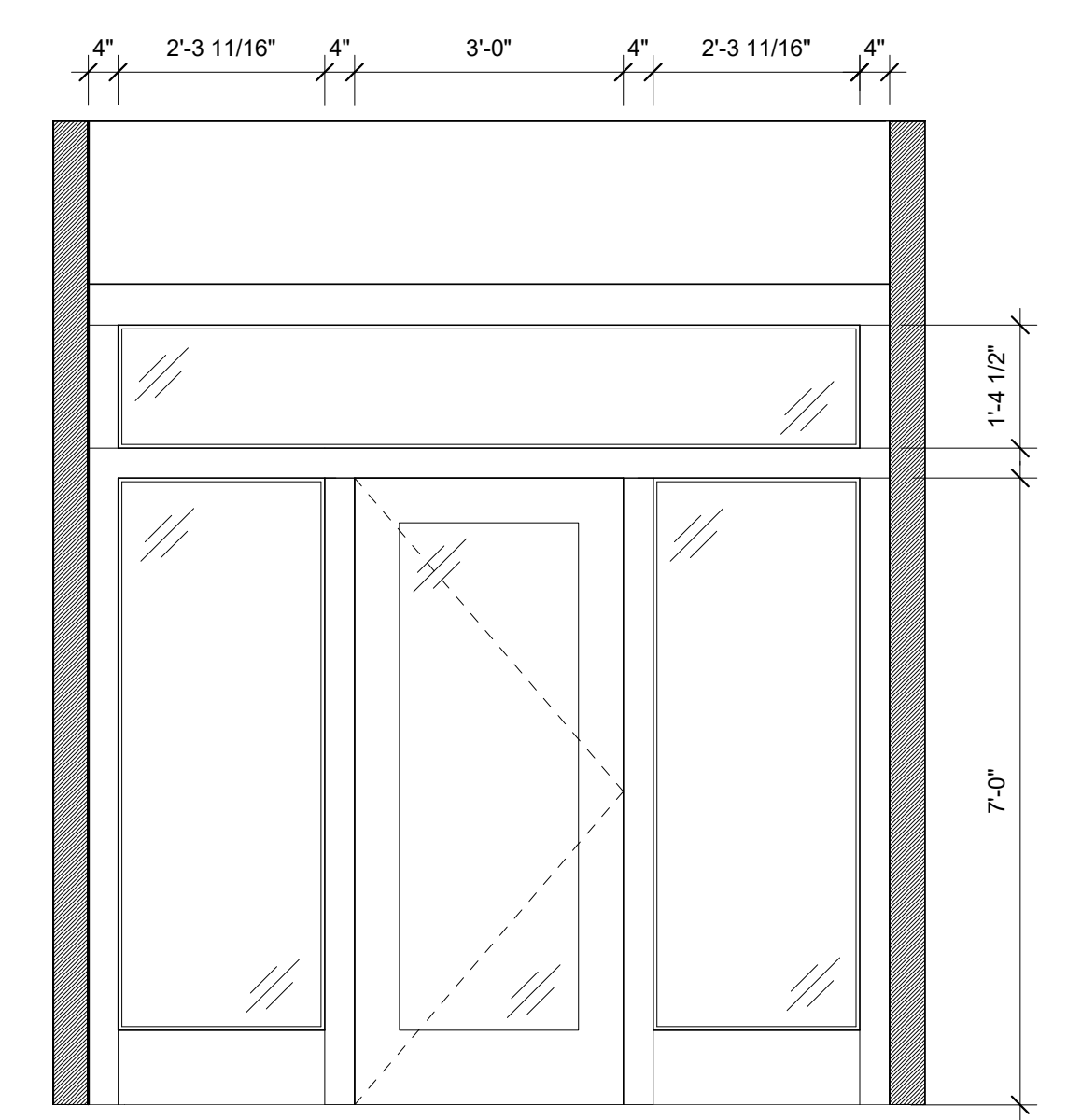
**5 | THIRD FLOOR INTERIOR GLAZING AT MULLION**  
 6" = 1'-0"



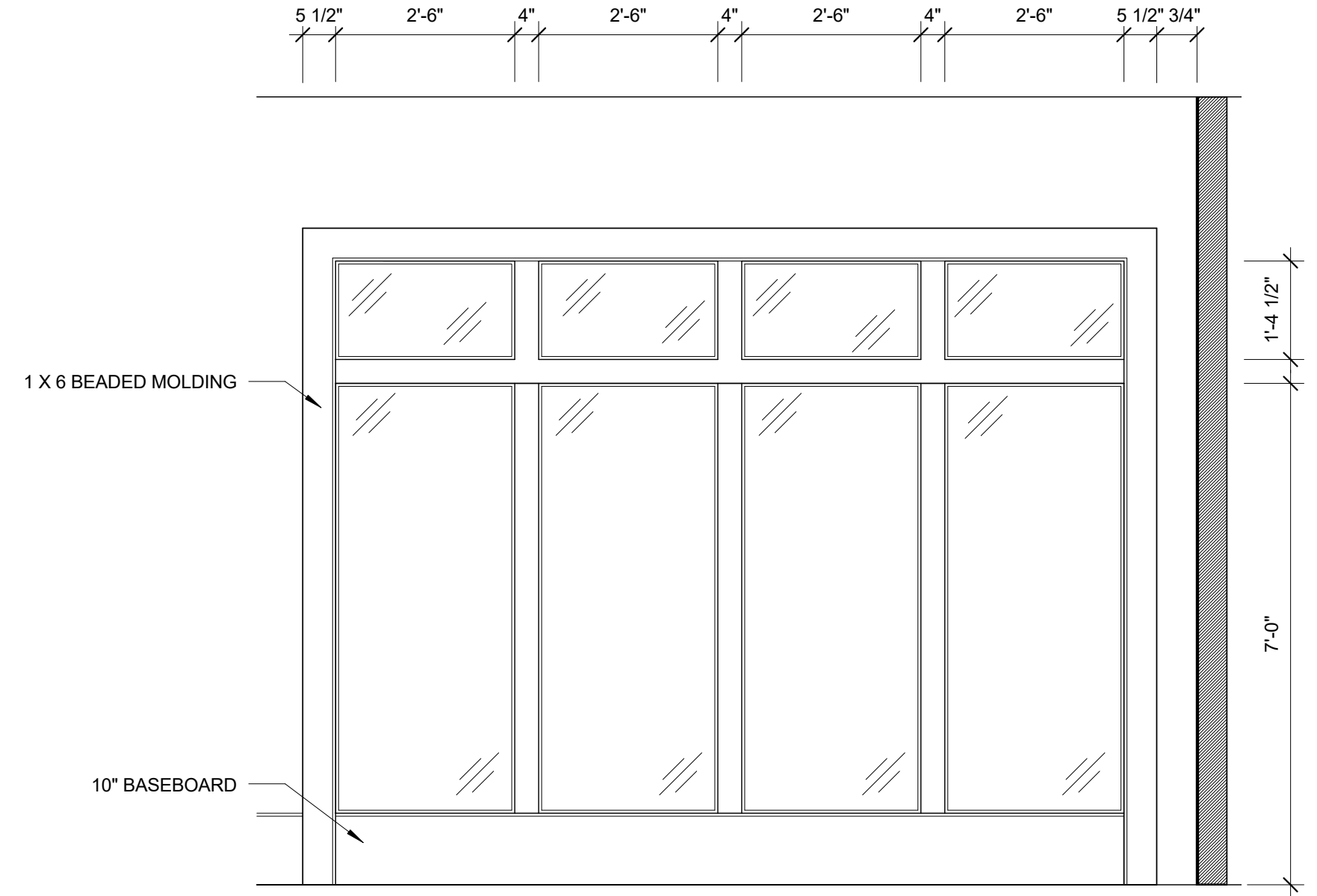
**2 | 3RD FLOOR BOARD ROOM ENTRANCE**  
 1/2" = 1'-0"



**4 | THIRD FLOOR ENLARGED PLAN**  
 1/4" = 1'-0"



**3 | 3RD FLOOR EXECUTIVE OFFICE CONNECTION**  
 1/2" = 1'-0"



**1 | 3RD FLOOR BOARD ROOM APPROACH HALL**  
 1/2" = 1'-0"