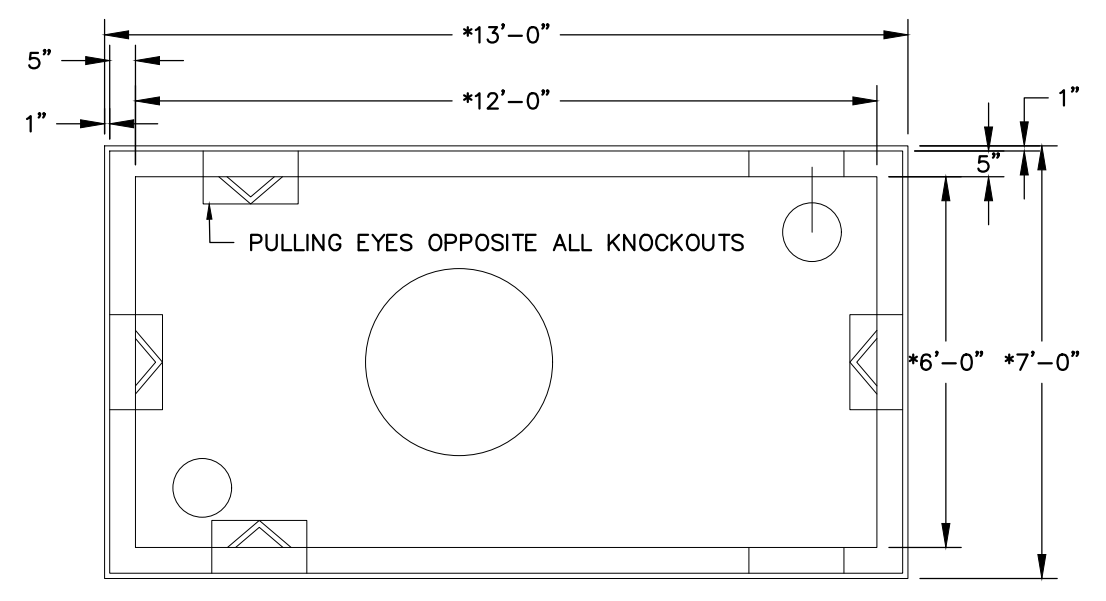
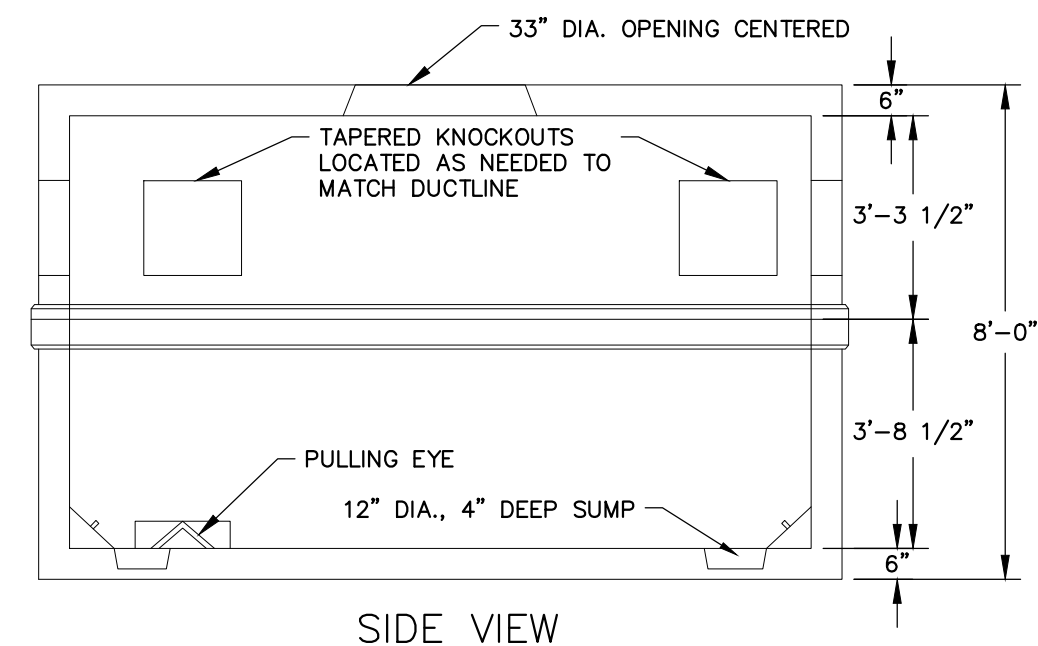


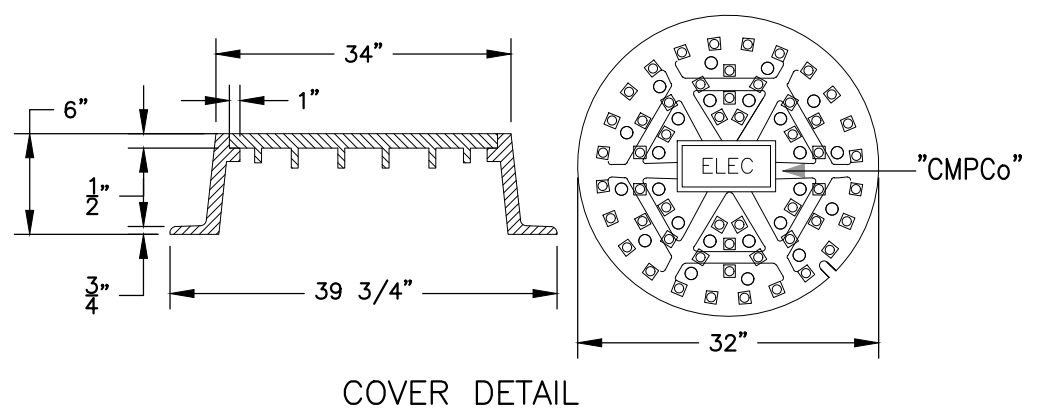
TYPICAL REINFORCED CONCRETE ENCASED UNDERGROUND DUCT BANK (FOR COMMUNICATIONS AND SIGNAL CONDUITS) DETAIL
SCALE: N.T.S.



PLAN VIEW
*SEE NOTE 2



SIDE VIEW

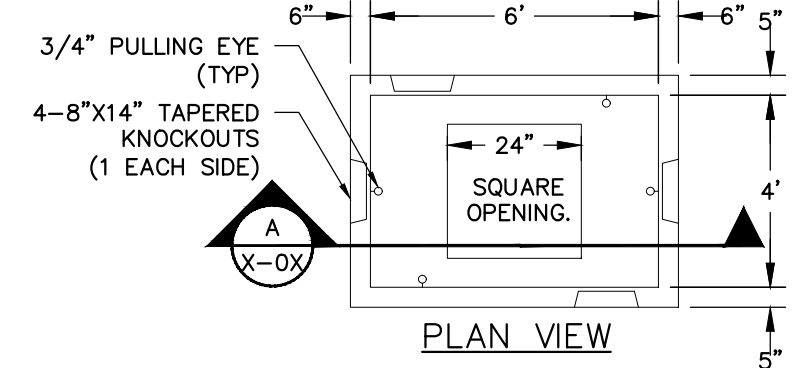


COVER DETAIL

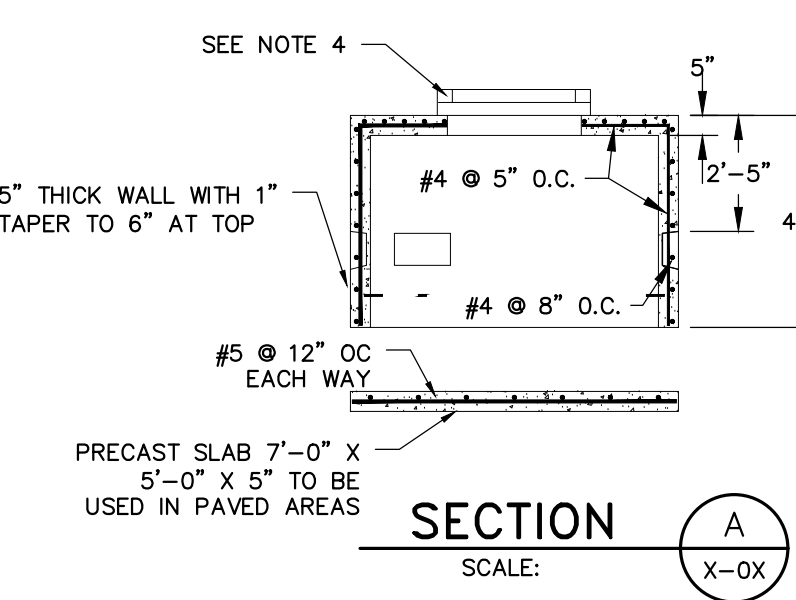
2 POWER MANHOLE DETAIL
SCALE: N.T.S.

NOTES (TYPICAL FOR ELEC MANHOLES):

1. PROVIDE 3BY STYLE ELECTRIC MANHOLE PER CENTRAL MAINE POWER (CMP) REQUIREMENTS. COORDINATE ALL WORK WITH CMP.
2. DETAIL DEPICTS ELECTRICAL POWER MANHOLE CONFIGURATION; COMMUNICATIONS MANHOLES SHALL BE 4'X6' AS REQUIRED BY THE COMMUNICATIONS COMPANY; ADJUST MANHOLE COVER LABEL ACCORDINGLY.
3. CONCRETE: 4,000 PSI @ 28 DAYS.
4. USE 32\"/>



PLAN VIEW



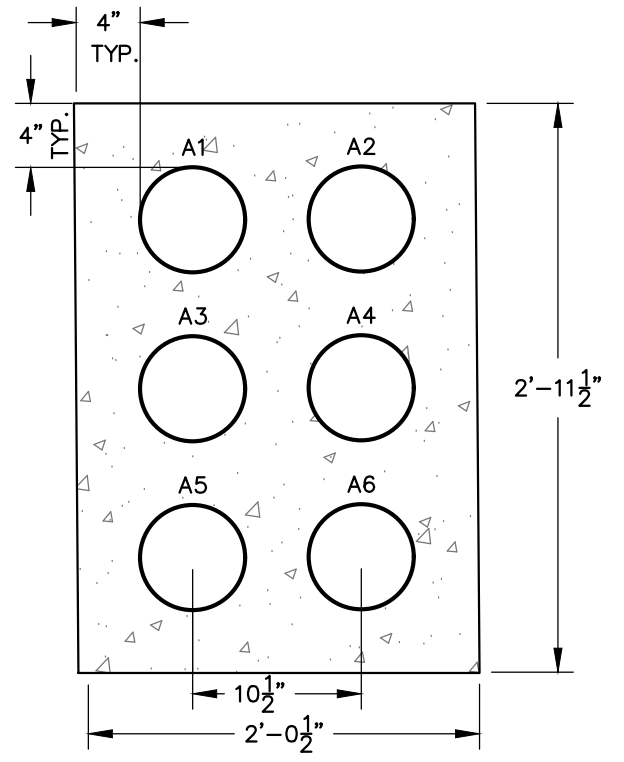
SECTION

3 CMP-PRIMARY HH DETAIL
SCALE: N.T.S.

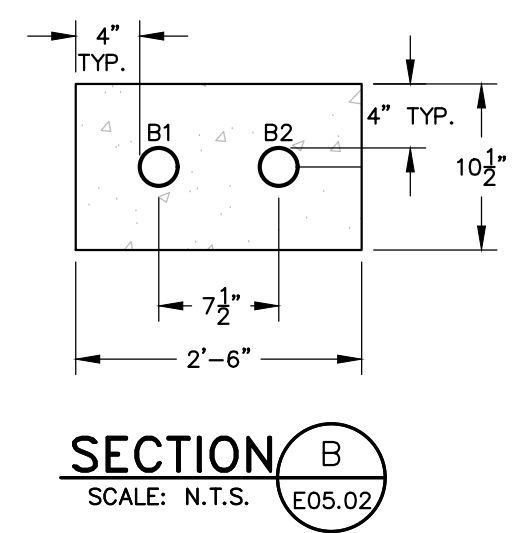
LIGHT FIXTURE SCHEDULE									
ALL FIXTURES SHALL BE FURNISHED COMPLETE WITH ALL HARDWARE, LAMPS, HANGERS, FITTINGS, ETC., FOR A COMPLETE AND PROPER INSTALLATION.									
TYPE	MANUFACTURER	CATALOG NUMBER	LAMP TYPE	LAMP WATT	LAMP NO.	VOLTAGE	MTG.	REMARKS/RECOMMENDATIONS	
A	HOLOPHANE HALLBROOK LED	DEL9-050-3K-AS-4-B-3	LED	50W	1 ASSEMBLY	120V/277V	POLE MOUNTED, SEE REMARKS FOR DETAILS	1. POLE SHALL BE 18\"/>	

LIGHT FIXTURE SCHEDULE
SCALE: NOT TO SCALE

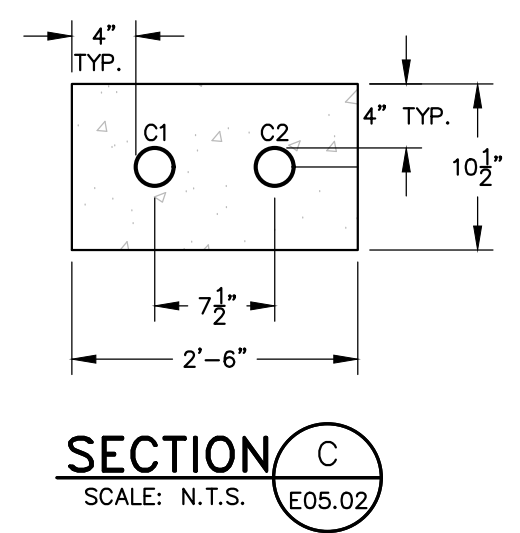
SITE DUCTBANK SCHEDULE							
DUCTBANK	CONDUIT ID	TYPE	SIZE	FROM	TO	TYPE	DESCRIPTION
A	A1	POWER	6"	EXISTING PWR HANDHOLE	NEW POWER MANHOLE	1	POWER
	A2	POWER	6"	EXISTING PWR HANDHOLE	NEW POWER MANHOLE		POWER
	A3	POWER	6"	EXISTING PWR HANDHOLE	NEW POWER MANHOLE		POWER
	A4	POWER	6"	EXISTING PWR HANDHOLE	NEW POWER MANHOLE		POWER
	A5	POWER	6"	EXISTING PWR HANDHOLE	NEW POWER MANHOLE		POWER
	A6	POWER	6"	EXISTING PWR HANDHOLE	NEW POWER MANHOLE		POWER
B	B1	POWER	2"	EXISTING LTG CKT	NEW LIGHT POLES	1	LIGHTING POWER
	B2	POWER	2"	EXISTING LTG CKT	NEW LIGHT POLES		SPARE LIGHTING POWER
C	C1	POWER	2"	EXISTING LTG CKT	NEW LIGHT POLES	1	LIGHTING POWER
	C2	POWER	2"	EXISTING LTG CKT	NEW LIGHT POLES		SPARE LIGHTING POWER
D	D1	COMMS	4"	EXISTING COMMS HANDHOLE	NEW COMMS HANDHOLE	1	COMMUNICATIONS
	D2	COMMS	4"	EXISTING COMMS HANDHOLE	NEW COMMS HANDHOLE		COMMUNICATIONS
	D3	COMMS	4"	EXISTING COMMS HANDHOLE	NEW COMMS HANDHOLE		COMMUNICATIONS
	D4	COMMS	4"	EXISTING COMMS HANDHOLE	NEW COMMS HANDHOLE		COMMUNICATIONS
E	A1	POWER	6"	EXISTING PWR HANDHOLE	NEW POWER MANHOLE	1	POWER
	A2	POWER	6"	EXISTING PWR HANDHOLE	NEW POWER MANHOLE		POWER
	A3	POWER	6"	EXISTING PWR HANDHOLE	NEW POWER MANHOLE		POWER
	A4	POWER	6"	EXISTING PWR HANDHOLE	NEW POWER MANHOLE		POWER
	A5	POWER	6"	EXISTING PWR HANDHOLE	NEW POWER MANHOLE		POWER
	A6	POWER	6"	EXISTING PWR HANDHOLE	NEW POWER MANHOLE		POWER
	D1	COMMS	4"	EXISTING COMMS HANDHOLE	NEW COMMS HANDHOLE		COMMUNICATIONS
	D2	COMMS	4"	EXISTING COMMS HANDHOLE	NEW COMMS HANDHOLE		COMMUNICATIONS
D3	COMMS	4"	EXISTING COMMS HANDHOLE	NEW COMMS HANDHOLE	COMMUNICATIONS		
D4	COMMS	4"	EXISTING COMMS HANDHOLE	NEW COMMS HANDHOLE	COMMUNICATIONS		



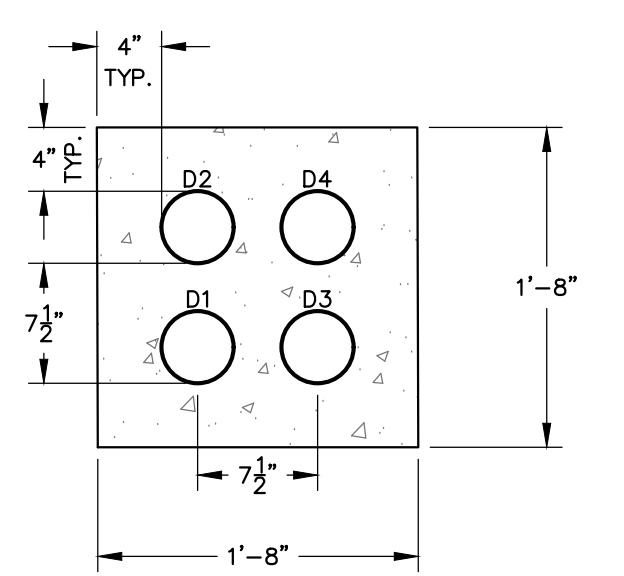
SECTION A
SCALE: N.T.S.



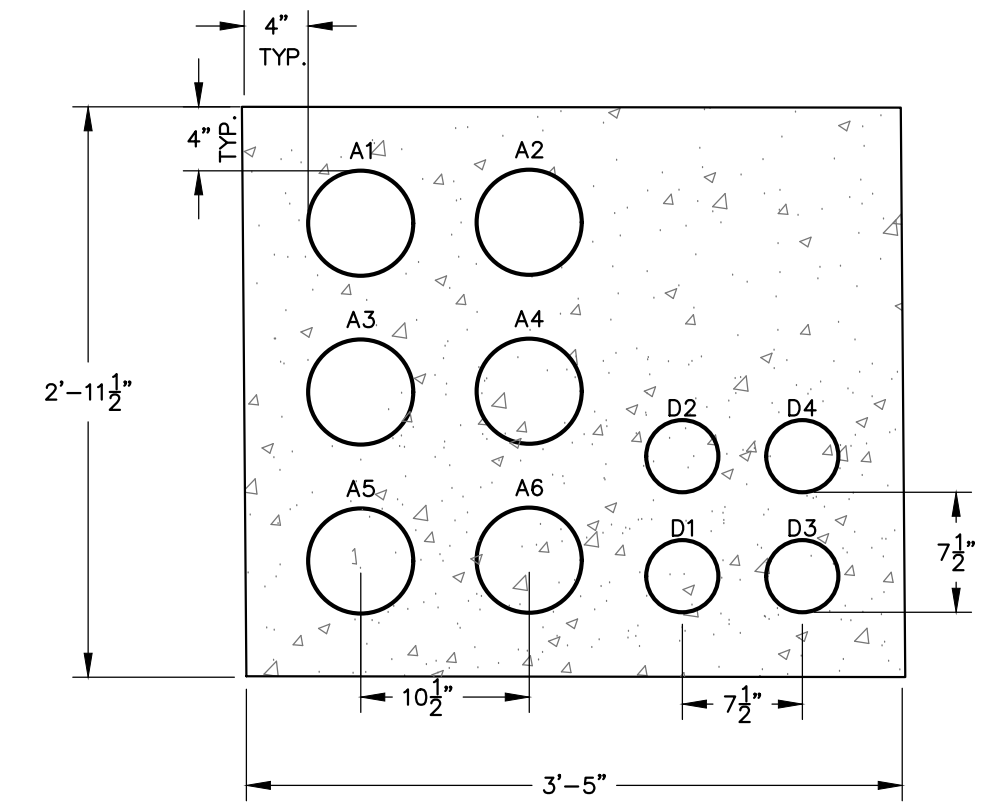
SECTION B
SCALE: N.T.S.



SECTION C
SCALE: N.T.S.



SECTION D
SCALE: N.T.S.



SECTION E
SCALE: N.T.S.

80% REVIEW SET - NOT FOR CONSTRUCTION

41 Hutchins Drive
Portland, Maine 04102
800.426.4262 | www.woodardcurran.com

WOODARD & CURRAN
COMMITMENT & INTEGRITY DRIVE RESULTS

THIS DOCUMENT IS THE PROPERTY OF WOODARD & CURRAN, INC. AND ITS CLIENT. REPRODUCTION OR DISSEMINATION WITHOUT WRITTEN PERMISSION IS PROHIBITED.

REV	DESCRIPTION	DATE

DESIGNED BY: NTH
DRAWN BY: SAA
CHECKED BY: AJP
DATE: 02/28/23
E05.02

ELECTRICAL DETAILS AND SCHEDULES

CITY OF PORTLAND
PORTLAND, MAINE 40101

EASTERN WATERFRONT ROADWAY EXTENSION

JOB NO.: 0230637.00
DATE: MAY 2018
SCALE: AS NOTED
SHEET: --- OF 13

E-800

W:\Projects\2018\0230637.00 - Portland, ME - 2017 Grd Eng Shw\wb\37 Eastern Waterfront Roadway Ext Design\Drawings\Electrical\0230637.00 - E800.dwg, May 04, 2018 - 3:36pm