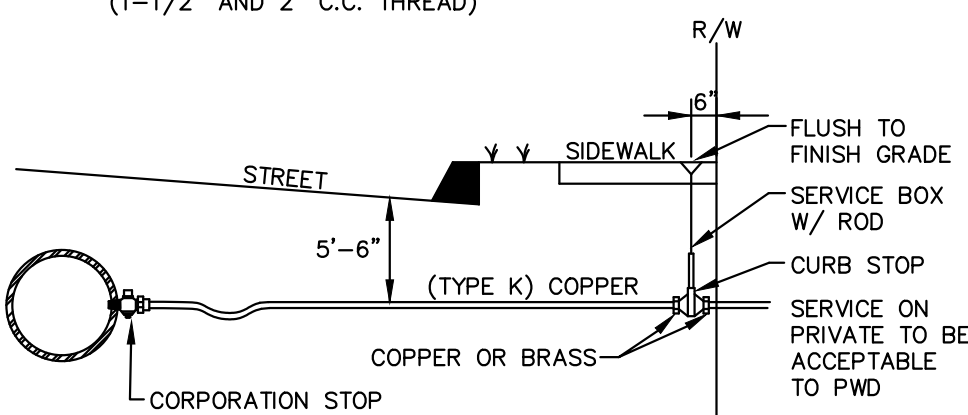
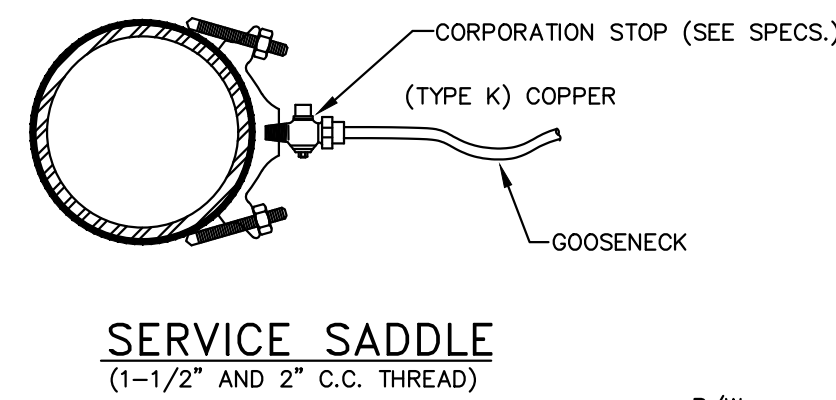
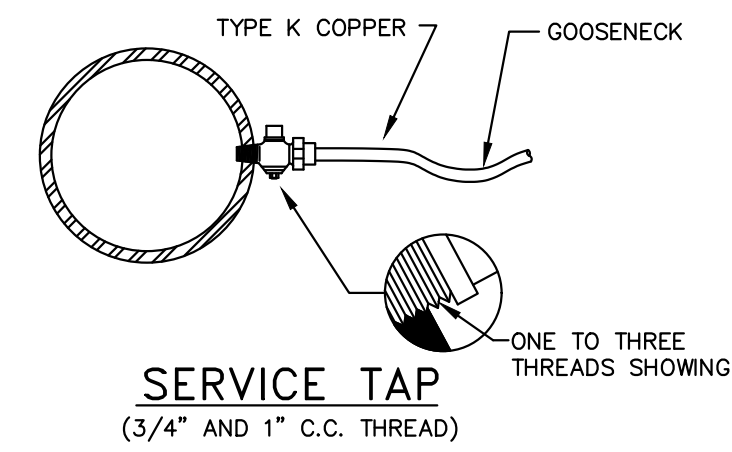
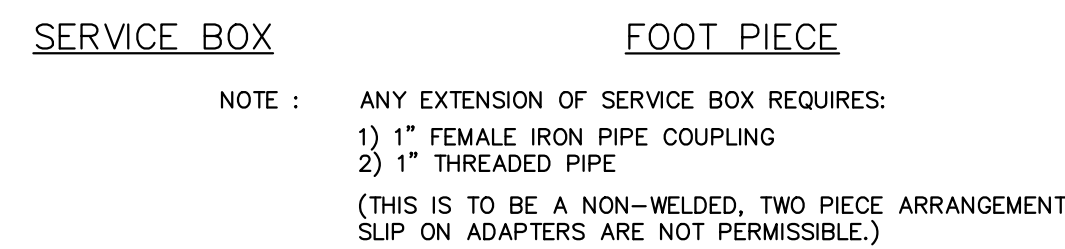
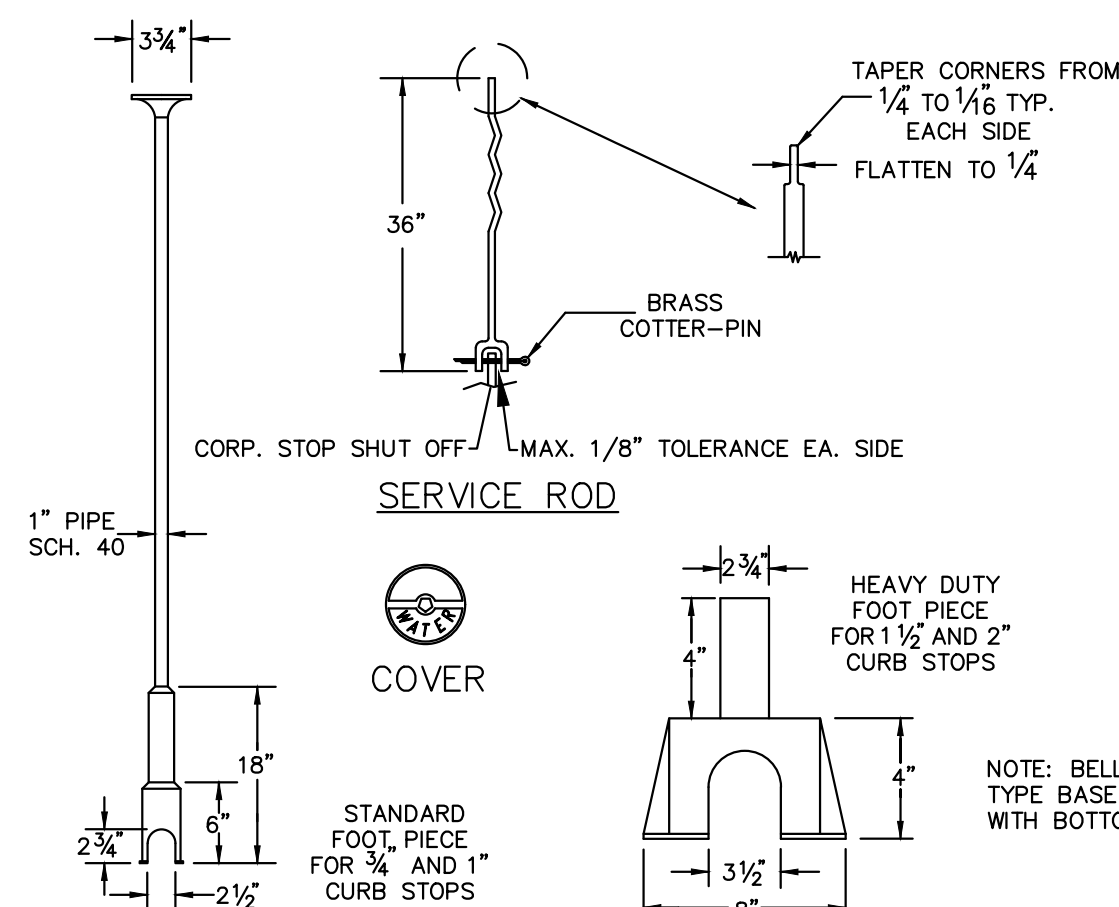


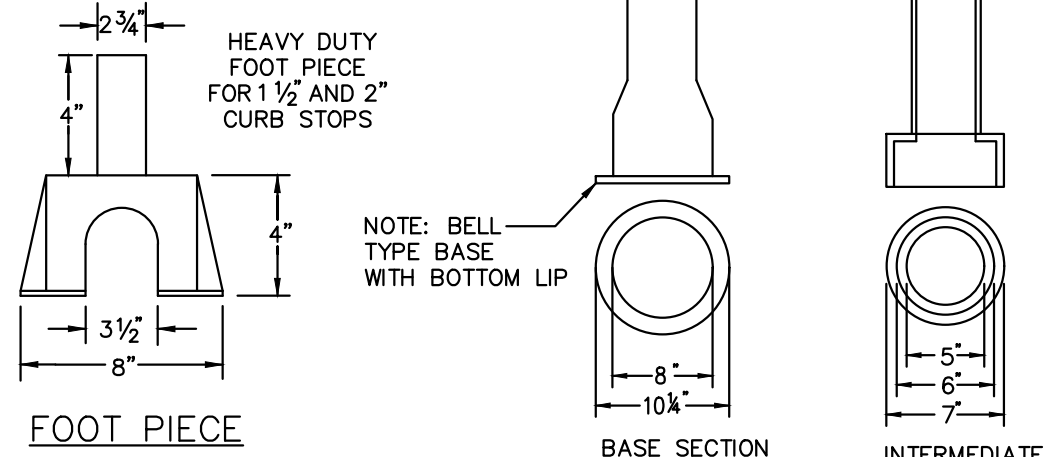
1 2 3 4 5 6



TYPICAL SERVICE CONNECTION
N.T.S.

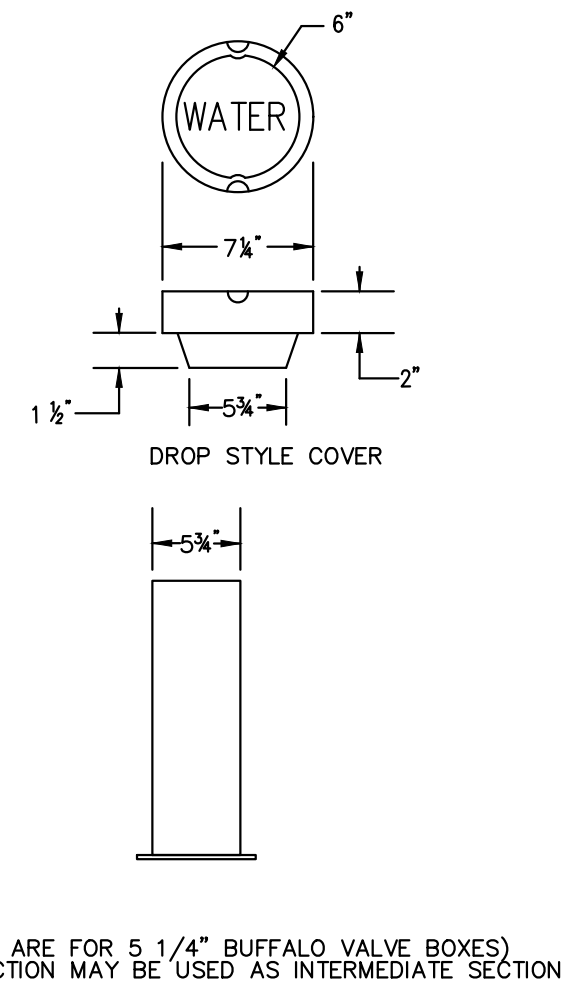


SERVICE BOX
N.T.S.

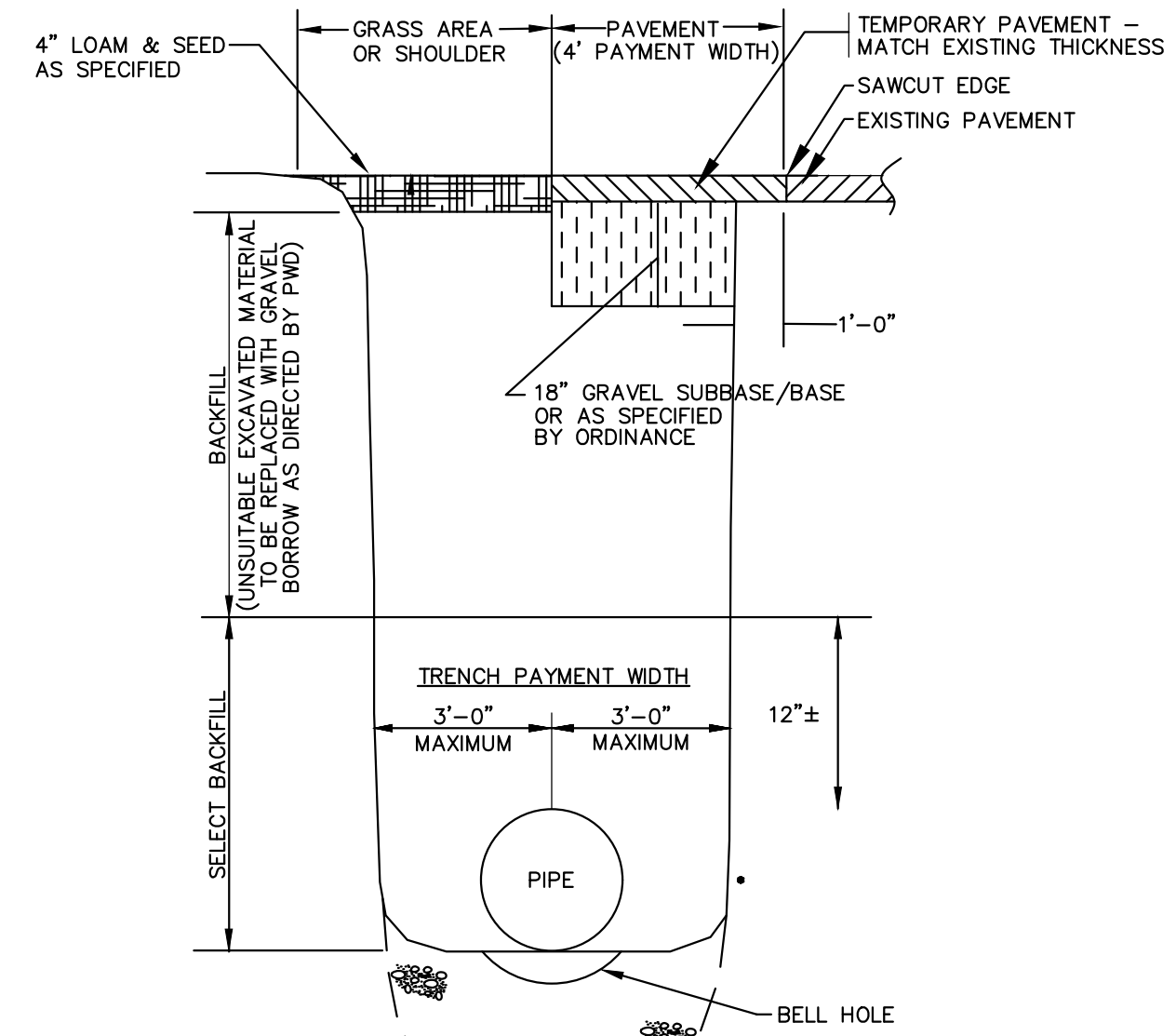


FOOT PIECE
N.T.S.

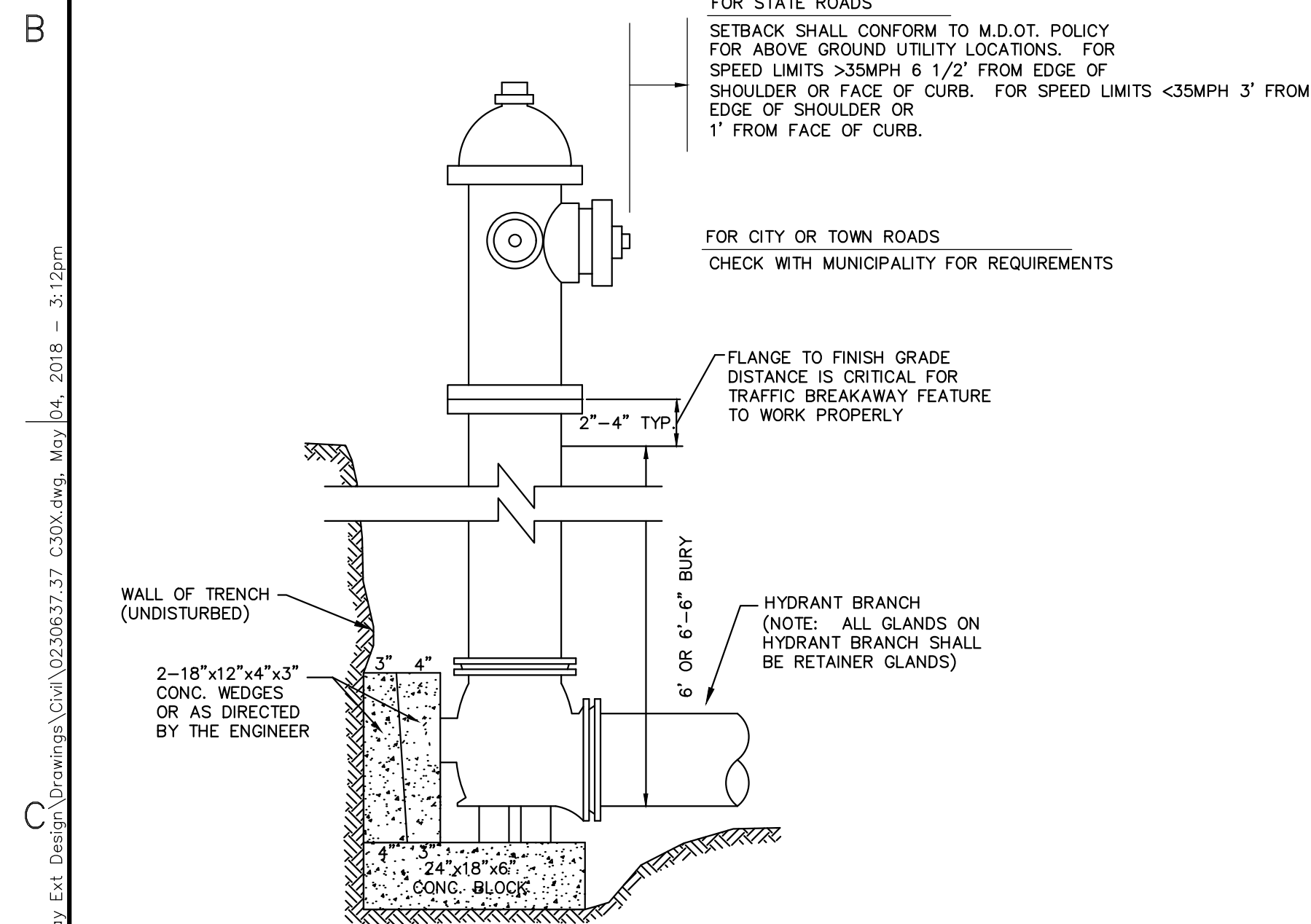
VALVE BOX & COVER
N.T.S.



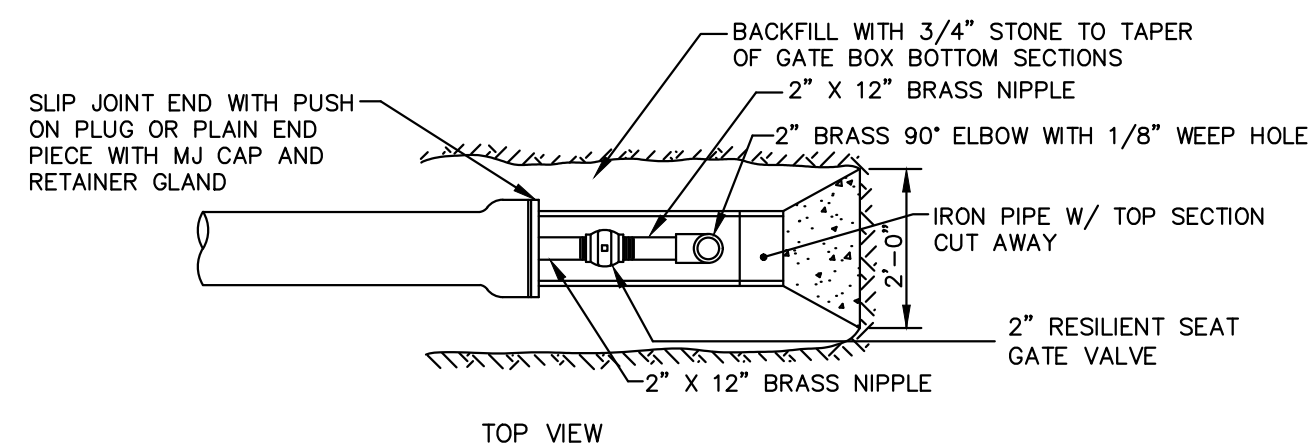
DROP STYLE COVER
N.T.S.



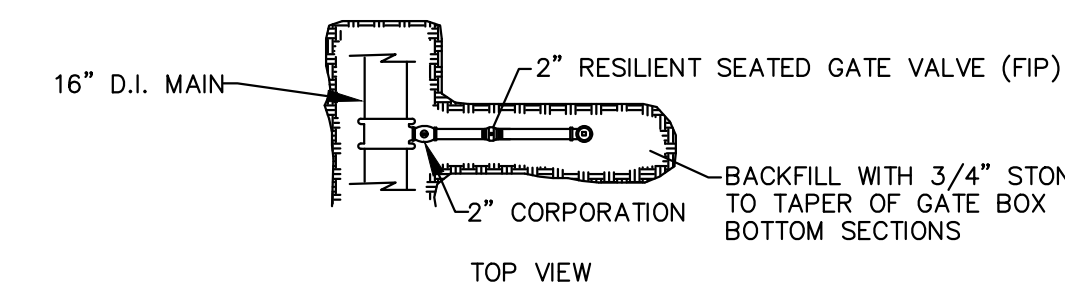
SECTION THRU EARTH TRENCH
N.T.S.



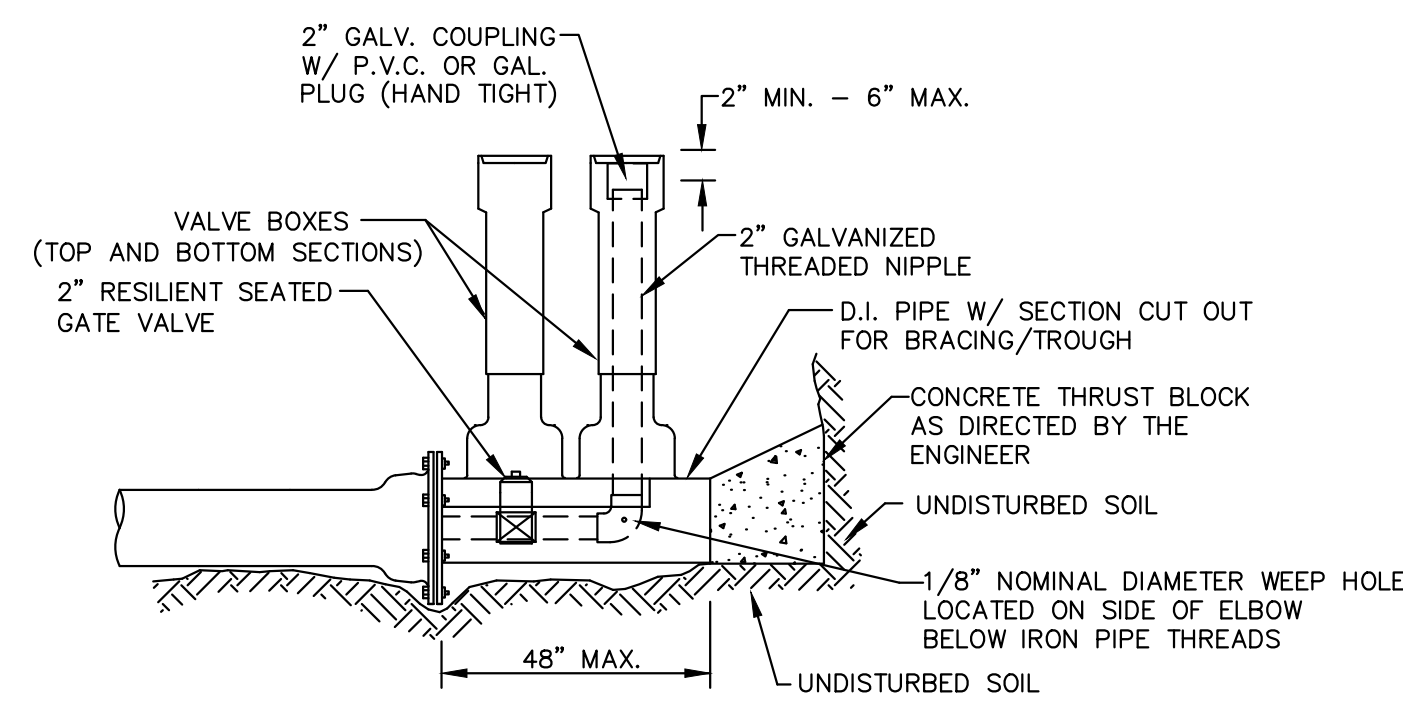
TYPICAL HYDRANT
INSTALLATION DETAIL
N.T.S.



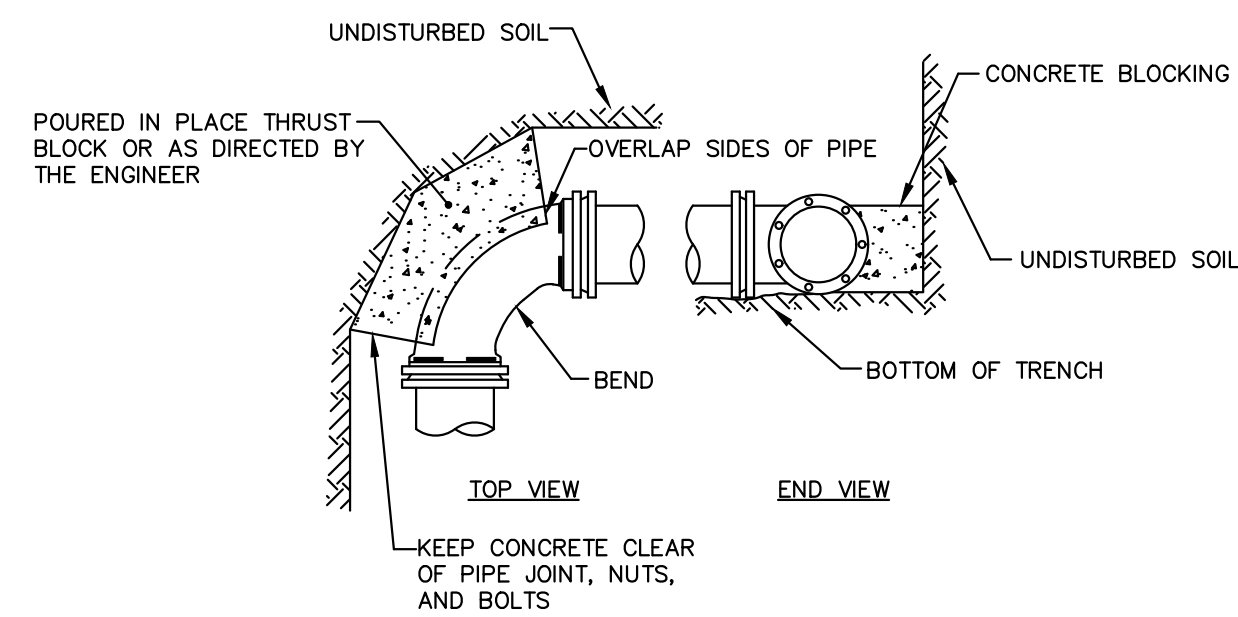
STANDARD 2" BLOW OFF
N.T.S.



SIDE-ARM BLOW-OFF
4" & LARGER MAINS
N.T.S.



STANDARD TEE BLOCKING
N.T.S.



STANDARD BEND BLOCKING
N.T.S.

woodwardcurran.net\shared\Projects\0230637.00 - 2017_Grd_Eng_Srvs\wb_37 Eastern Waterfront Roadway Ext. Design\Drawings\Civil\0230637.37 C30X.dwg, May 04, 2018 - 3:12pm

41 Hutchins Drive
Portland, Maine 04102
800.428.4282 | www.woodardcurran.com



COMMITMENT & INTEGRITY DRIVE RESULTS
THIS DOCUMENT IS THE PROPERTY OF WOODARD & CURRAN INC. AND ITS CLIENT. REPRODUCTION OR DISTRIBUTION WITHOUT WRITTEN PERMISSION IS PROHIBITED.

REV	DESCRIPTION	DATE

CIVIL DETAILS - 5

CITY OF PORTLAND
PORTLAND, MAINE 04101

THAMES STREET
EXTENSION PROJECT

JOB NO.: 0230637.37
DATE: MAY 2018
SCALE: AS NOTED
SHEET: 12 OF 13

C-304

1 2 3 4 5 6