

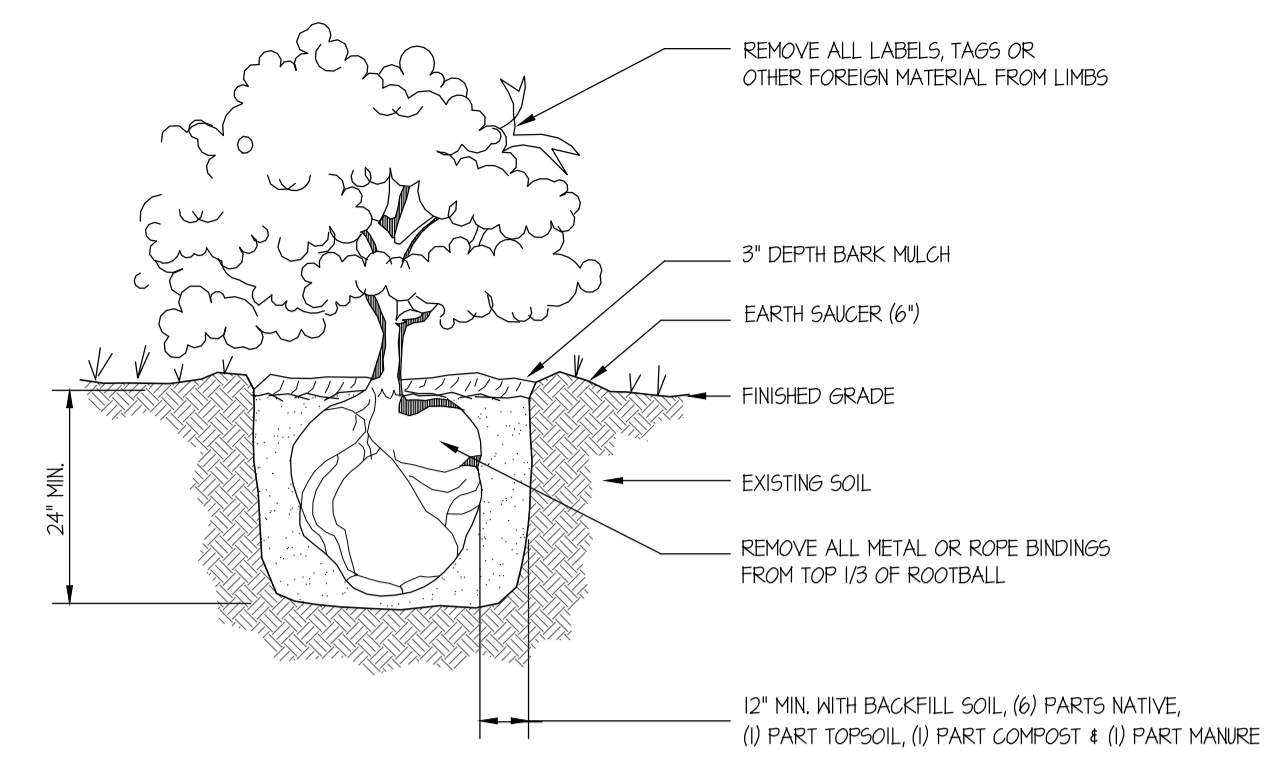


DATE of APPROVAL October 4, 2017
 PLANNER Caitlin Cameron
 PROJECT NO. 2017-180
 Scarborough, Maine 04074-8929
 Tel. 207.883.3355
 www.stantec.com

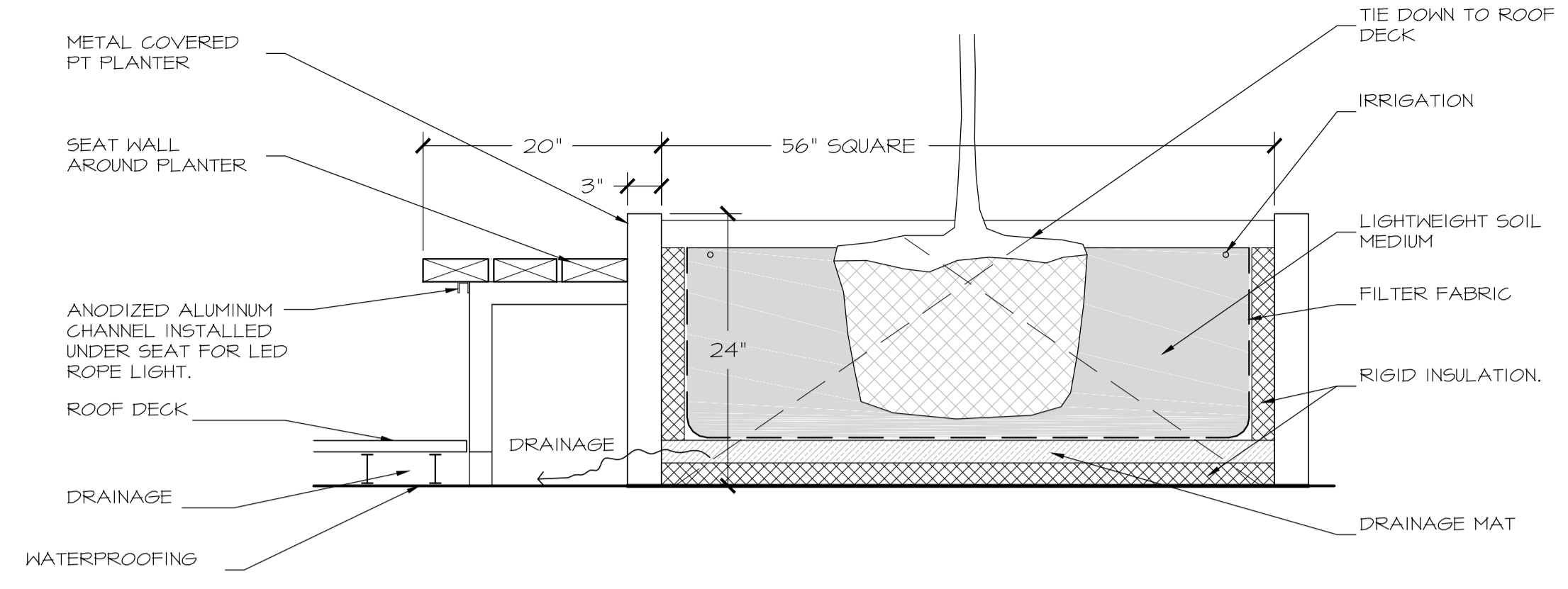
Copyright Reserved
 The Contractor shall verify and be responsible for all dimensions. DO NOT scale the drawing - any errors or omissions shall be reported to Stantec without delay.
 The Copyrights to all designs and drawings are the property of Stantec. Reproduction or use for any purpose other than that authorized by Stantec is forbidden.

Consultants
MOHR & SEREDIN
 Landscape Architects, Inc.
 18 Pleasant Street
 Portland, Maine 04101
 207-871-0003

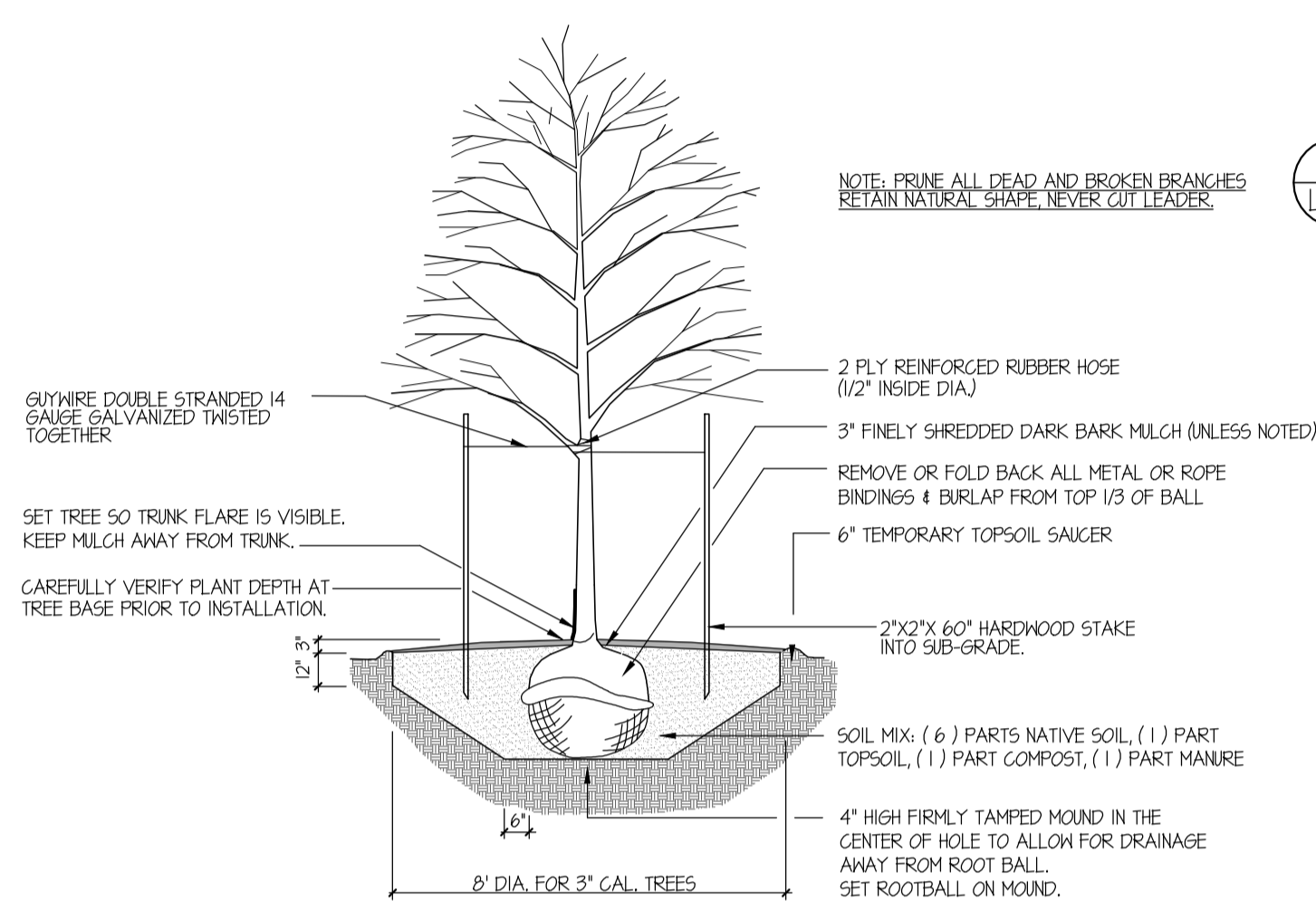
Notes



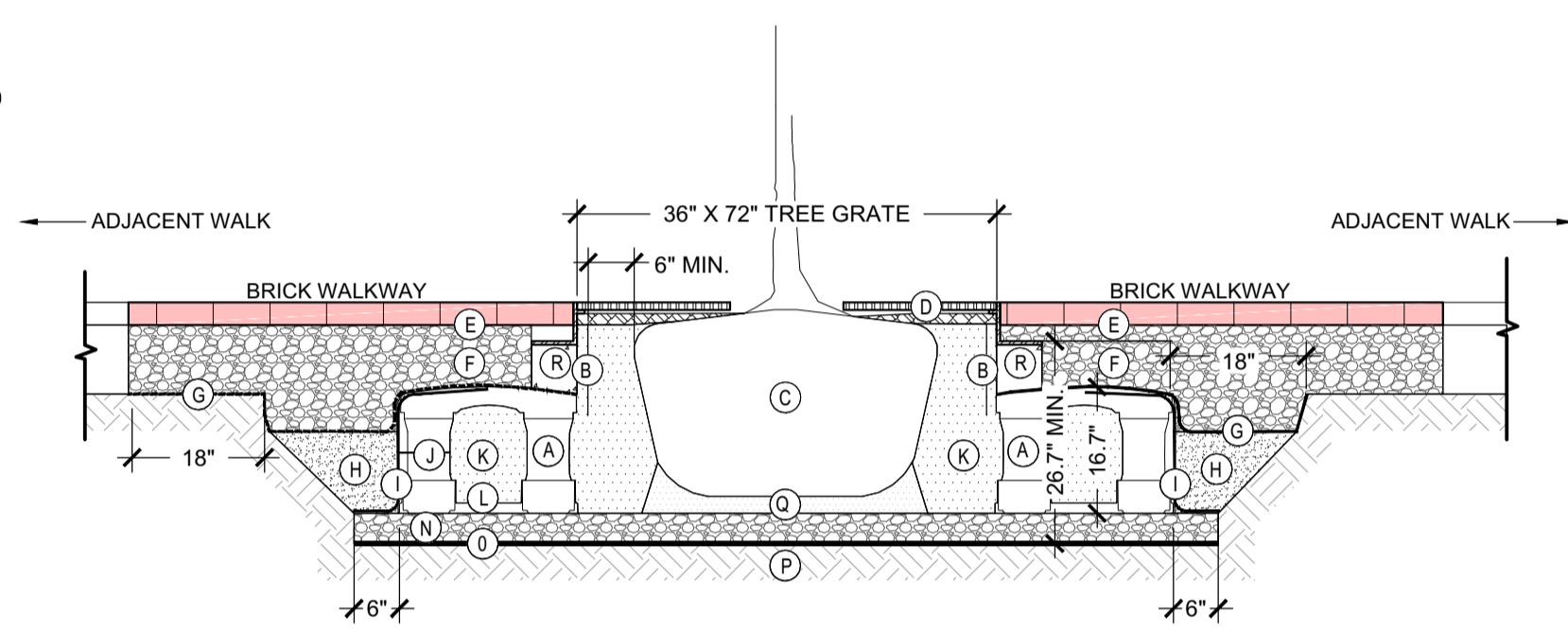
1
L3.0
 NOT TO SCALE
SHRUB PLANTING INSTALLATION



6
L3.0
 NOT TO SCALE
TREE PLANTER ROFTOP

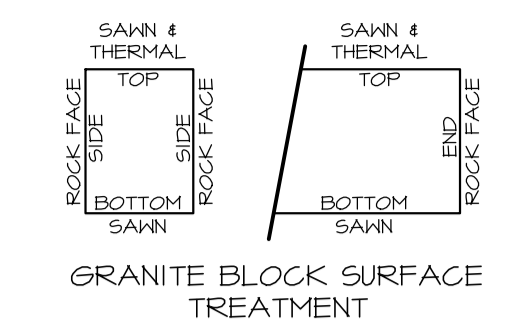


2
L3.0
 NOT TO SCALE
DECIDUOUS TREE PLANTING INSTALLATION

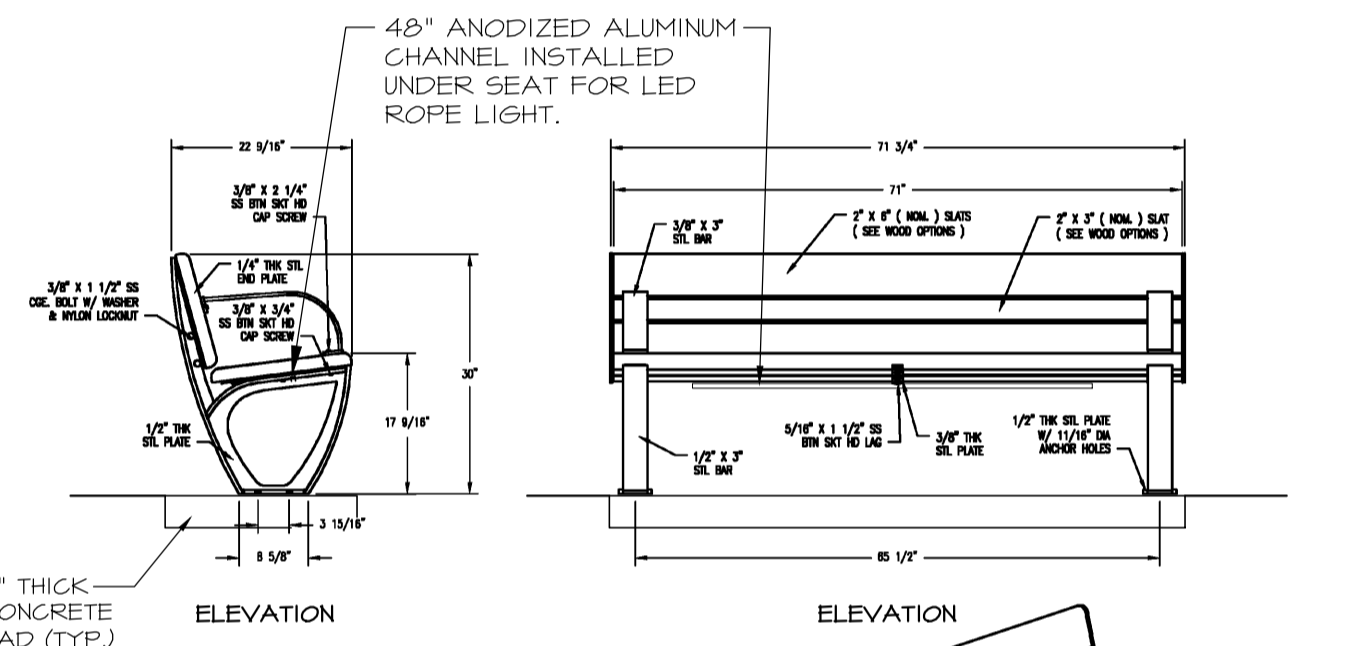


7
L3.0
 NOT TO SCALE
FLUSH TREE GRATE DETAIL (IX SILVA CELL SYSTEM)

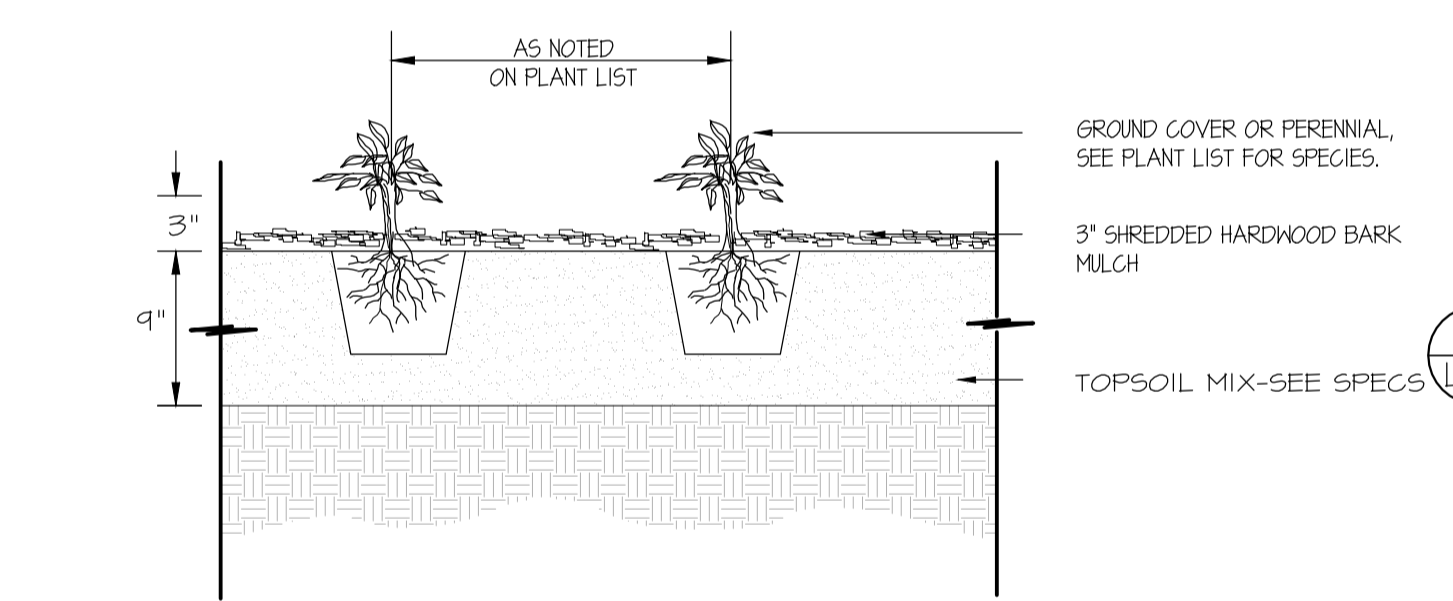
- KEY PLAN**
- (A) SILVA CELL IX SYSTEM (DECK, BASE, AND POSTS)
 - (B) DEEPROOT IBI-2 ROOT BARRIER. INSTALL DIRECTLY ADJACENT TO CONCRETE EDGE RESTRAINT
 - (C) TREE ROOT PACKAGE. SIZE VARIES
 - (D) NEENAH FOUNDRY TREE GRATE R-8808 (36\"/>
- NOTES:**
1. INSTALLATION TO BE COMPLETED IN ACCORDANCE WITH MANUFACTURER'S SPECIFICATIONS
 2. DO NOT SCALE DRAWINGS
 3. PROVIDE SUPPLEMENTAL IRRIGATION FOR SEASONAL DROUGHT SUPPORT OF TREES & SOIL



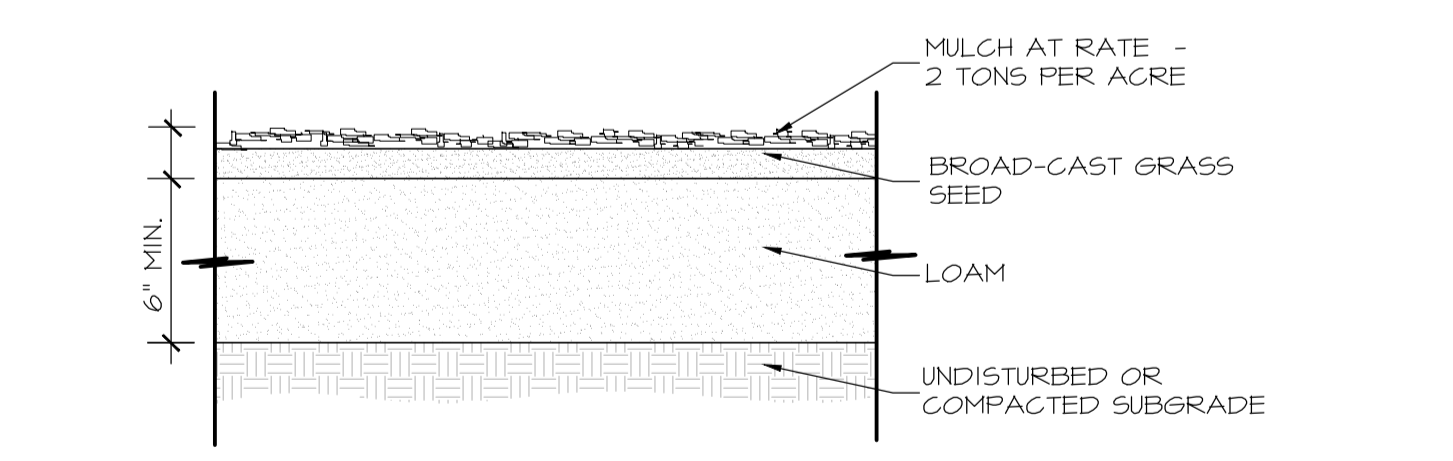
9
L3.0
 NOT TO SCALE
GRANITE BLOCK WALL W WINDSCREEN (PLAZA)



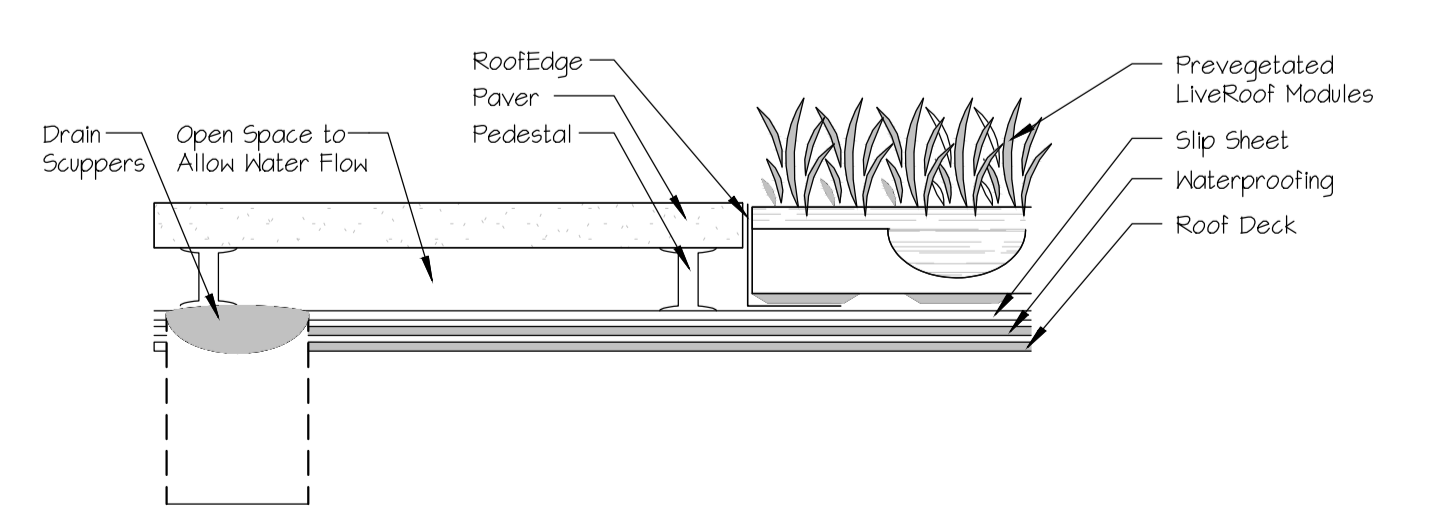
10
L3.0
 NOT TO SCALE
BENCH DETAIL



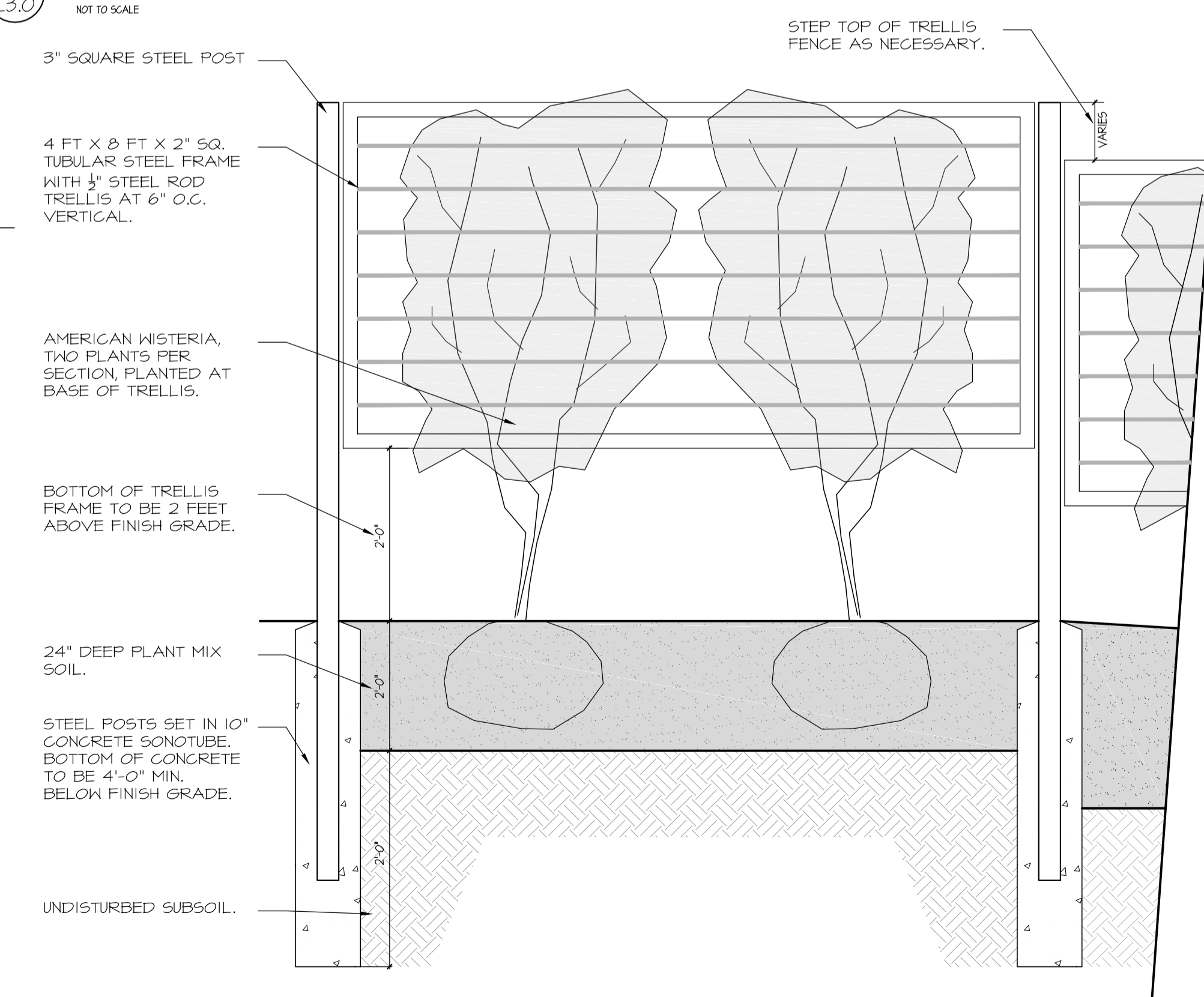
3
L3.0
 NOT TO SCALE
GROUND COVER/PERENNIAL PLANT INSTALLATION



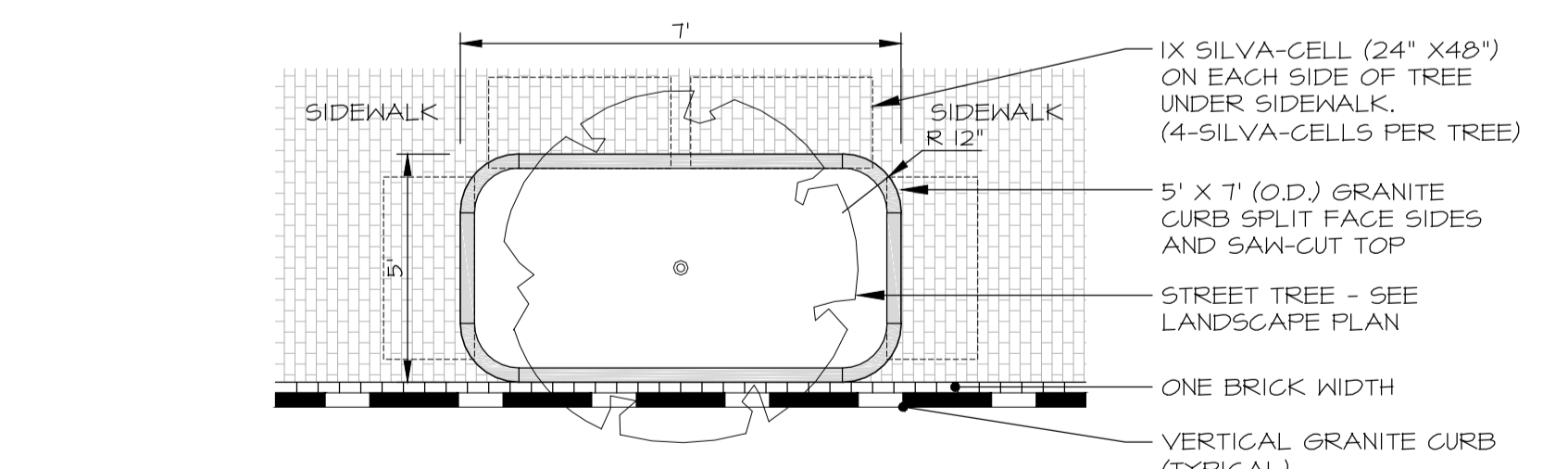
4
L3.0
 NOT TO SCALE
LOAM AND SEED



5
L3.0
 NOT TO SCALE
PRE-VEGETATED GREEN ROOF MODULES



8
L3.0
 NOT TO SCALE
6 FT TALL GREEN VEGETATED FENCE



11
L3.0
 NOT TO SCALE
RAISED GRANITE TREE PLANTER

NO.	ISSUED FOR CONSTRUCTION PLANS	DATE	BY
3	ISSUED FOR CONSTRUCTION PLANS	17.10.20	YS
2	REV FINAL SITE PLAN PLANNING BOARD SUBMISSION	17.10.10	SBM
1	FINAL PRELIMINARY PLANNING BOARD SUBMISSION	17.06.6	SBM

FILE NAME	M&S	SBM	YS	DATE
File Name: 978-Details-MS 10.5.17	M&S	SBM	YS	17.10.10
P.E. STEPHEN R. BUSHEY	DWN.	CHKD.	DSGN.	



Client/Project
0 HANCOCK LLC

THAMES STREET SITE
 PORTLAND, MAINE

Title
LANDSCAPE DETAILS

Project No. **195350450** Scale **N.T.S.**
 Sheet