

MH104A

FOURTH FLOOR HVAC DUCTWORK PLAN

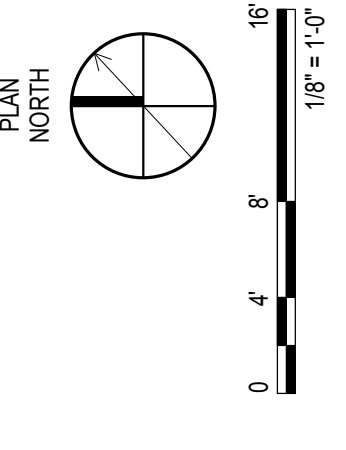
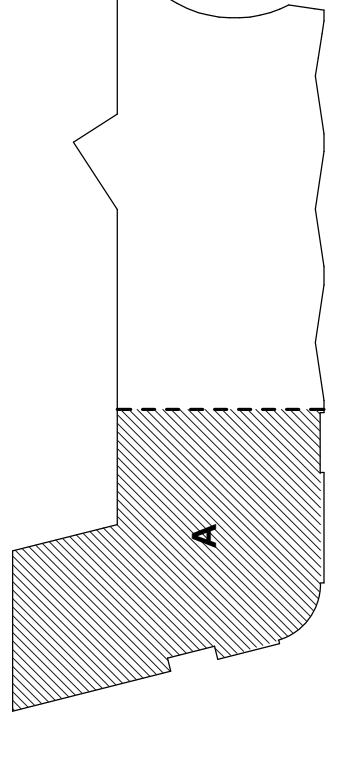
Date: JAN. 3, 2018
Scale: 1/8" = 1'-0"

Revisions:
FO Phase
Design Development
03/10/2018

Project: 0 HANCOCK STREET
Architect: ARCHITECTS
48 Union Wharf, Portland, Maine 04101
(207) 772-6022 ARCHTYPE@ARCHTYPEPA.COM

Consultant: JOHNSON & JORDAN
MECHANICAL CONTRACTORS
18 MUSSEY ROAD
SCARBOROUGH, ME 04074
TEL: (207) 888-8845

Prepared For:



① 4TH FLOOR HVAC DUCTWORK PLAN A
1/8" = 1'-0"