

# MH101A

## FIRST FLOOR HVAC DUCTWORK PLAN

Date: JAN. 3, 2018

Scale: 1/8" = 1'-0"

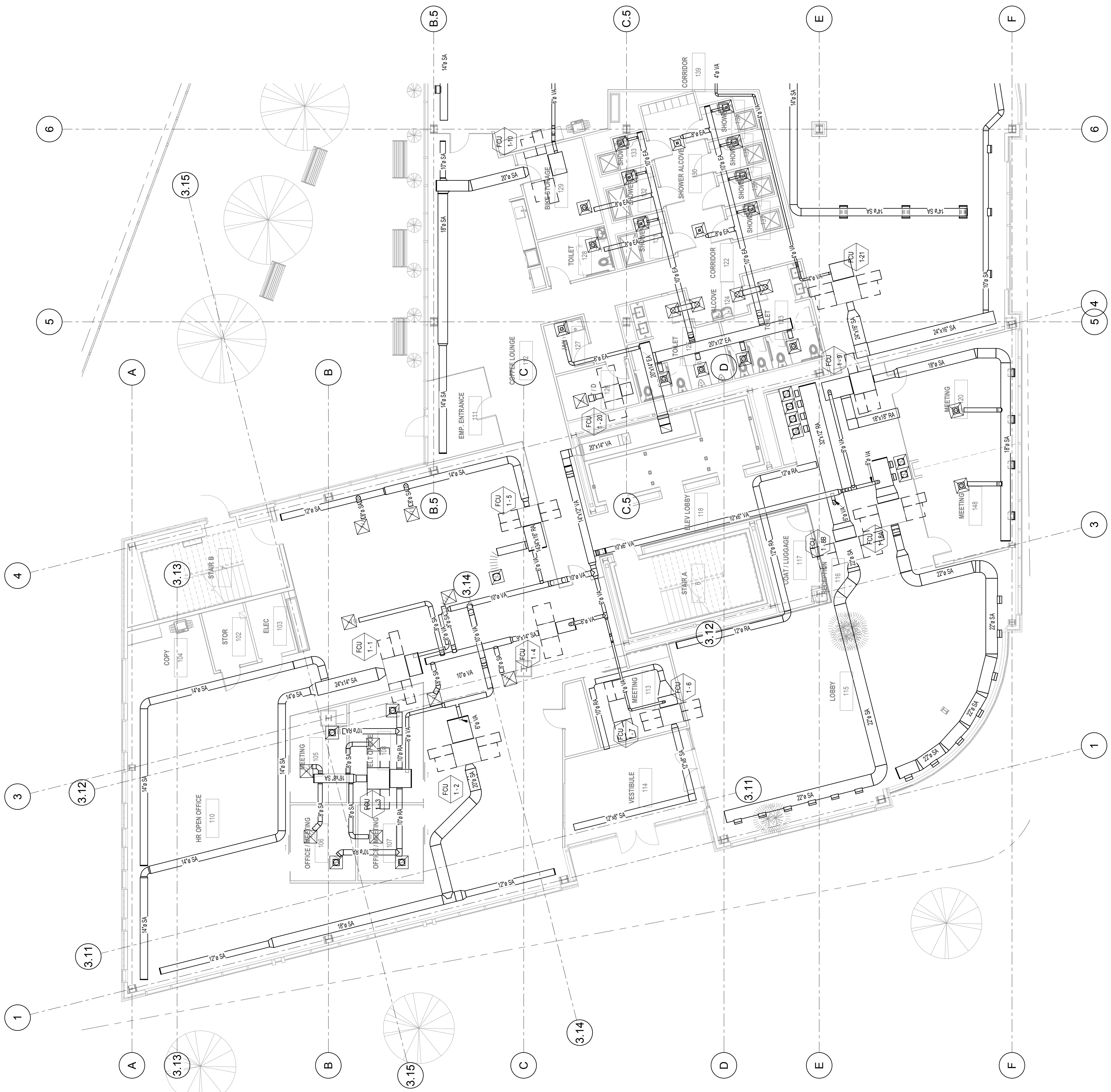
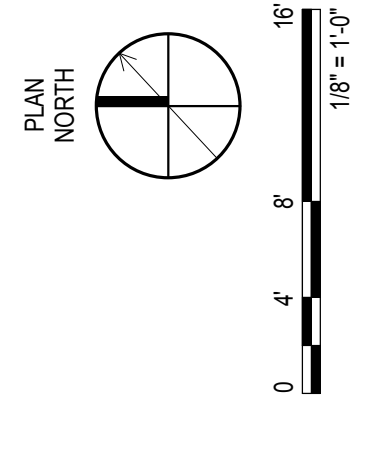
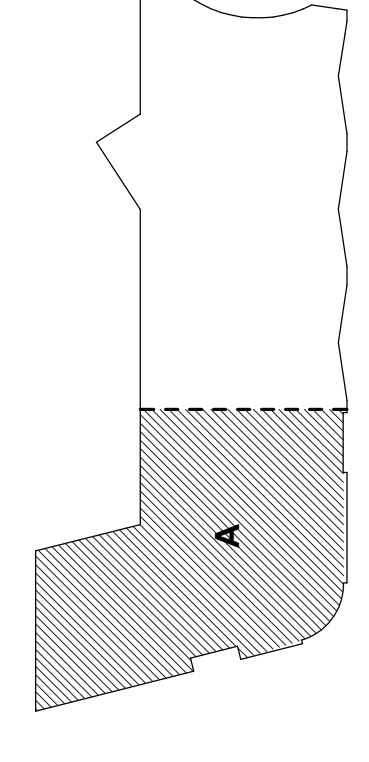
Revisions:  
FO Phase  
Design Development  
03/10/2018

Project:  
0 HANCOCK STREET  
HANCOCK STREET, PORTLAND, MAINE

Architect:  
Architects  
48 Union Wharf, Portland, Maine 04101  
(207) 772-6022 ARCHTYPE@ARCHTYPEPA.COM

Consultant:  
JOHNSON & JORDAN  
MECHANICAL CONTRACTORS  
18 MUSSEY ROAD  
SCARBOROUGH, ME 04074  
TEL: (207) 883-8345

Prepared For:



1 FIRST FLOOR HVAC DUCTWORK PLAN A  
1/8" = 1'-0"