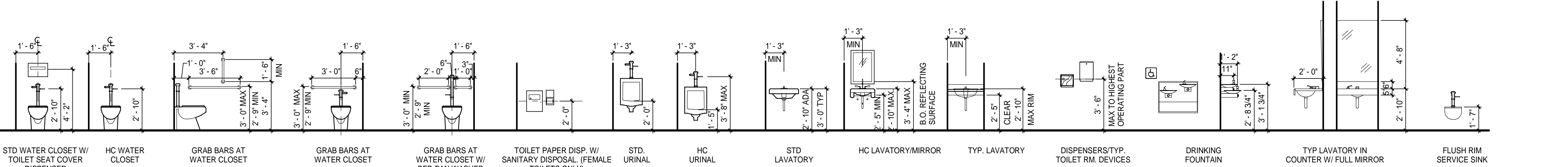
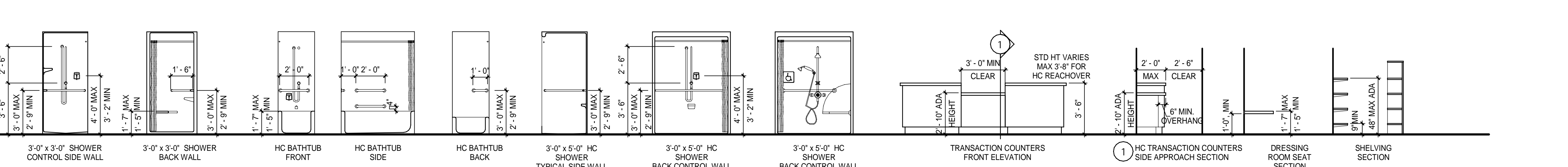


STANDARD MOUNTING HEIGHTS FOR MISCELLANEOUS WALL-MOUNTED ACCESSORIES



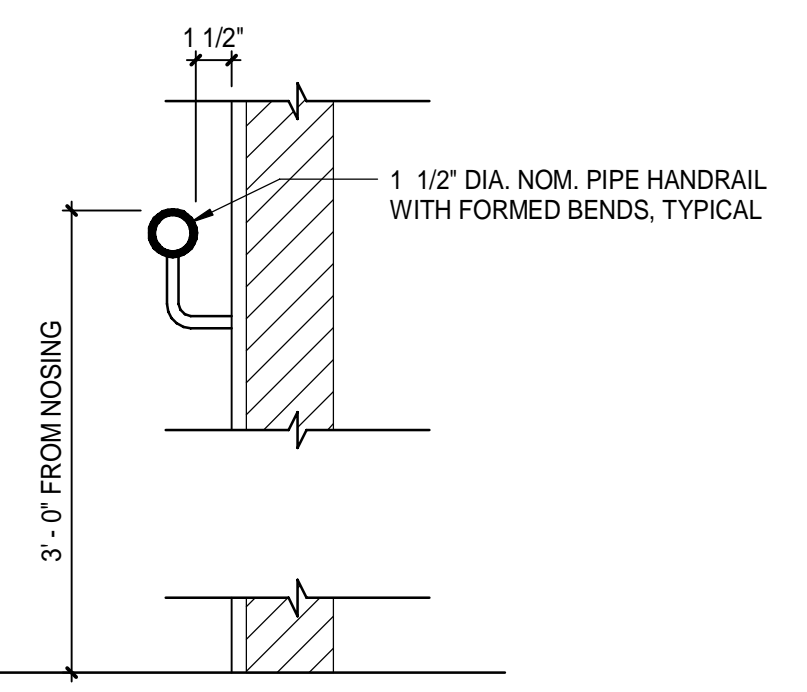
STANDARD PLUMBING FIXTURES AND WALL-MOUNTED ACCESSORY MOUNTING HEIGHTS



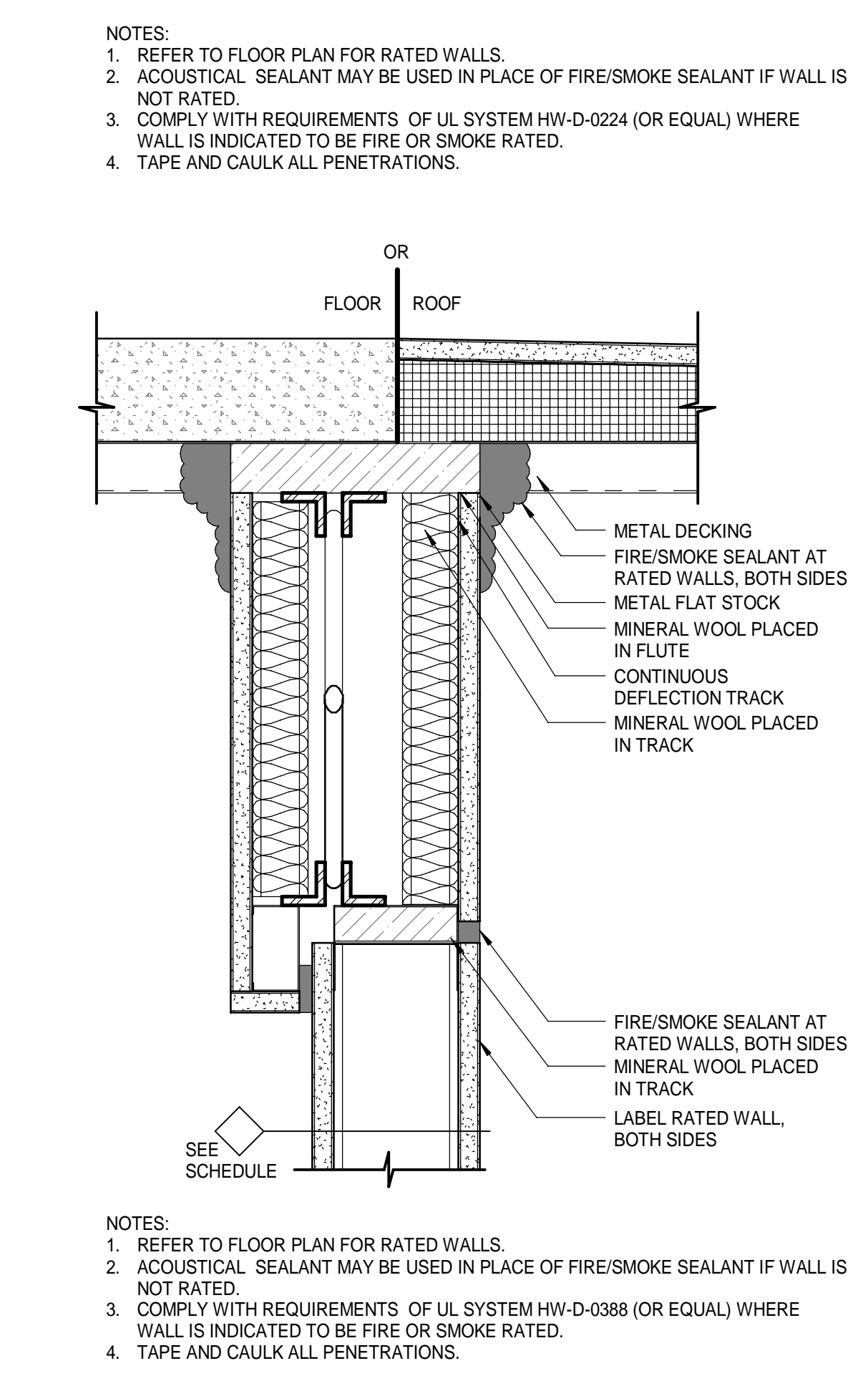
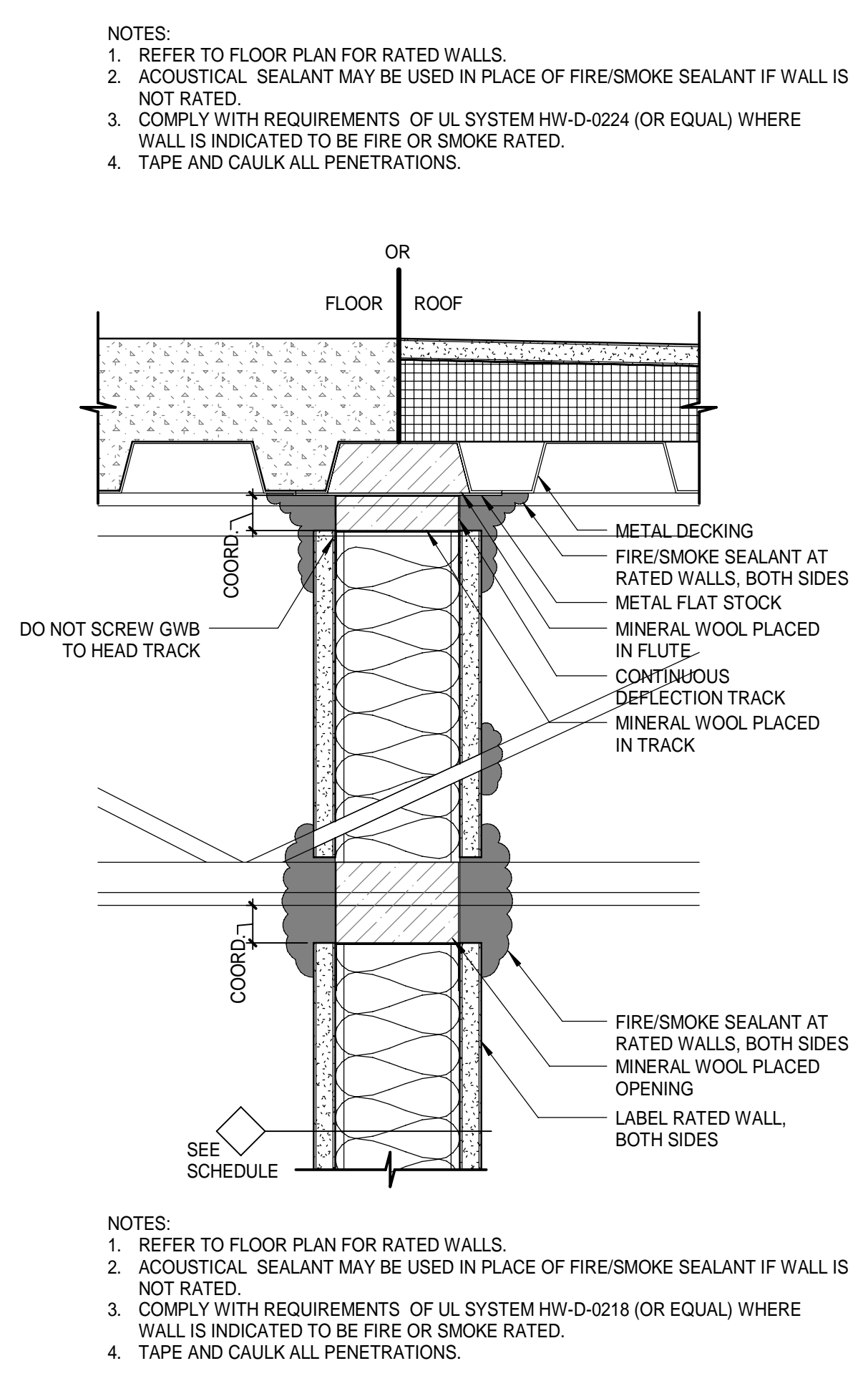
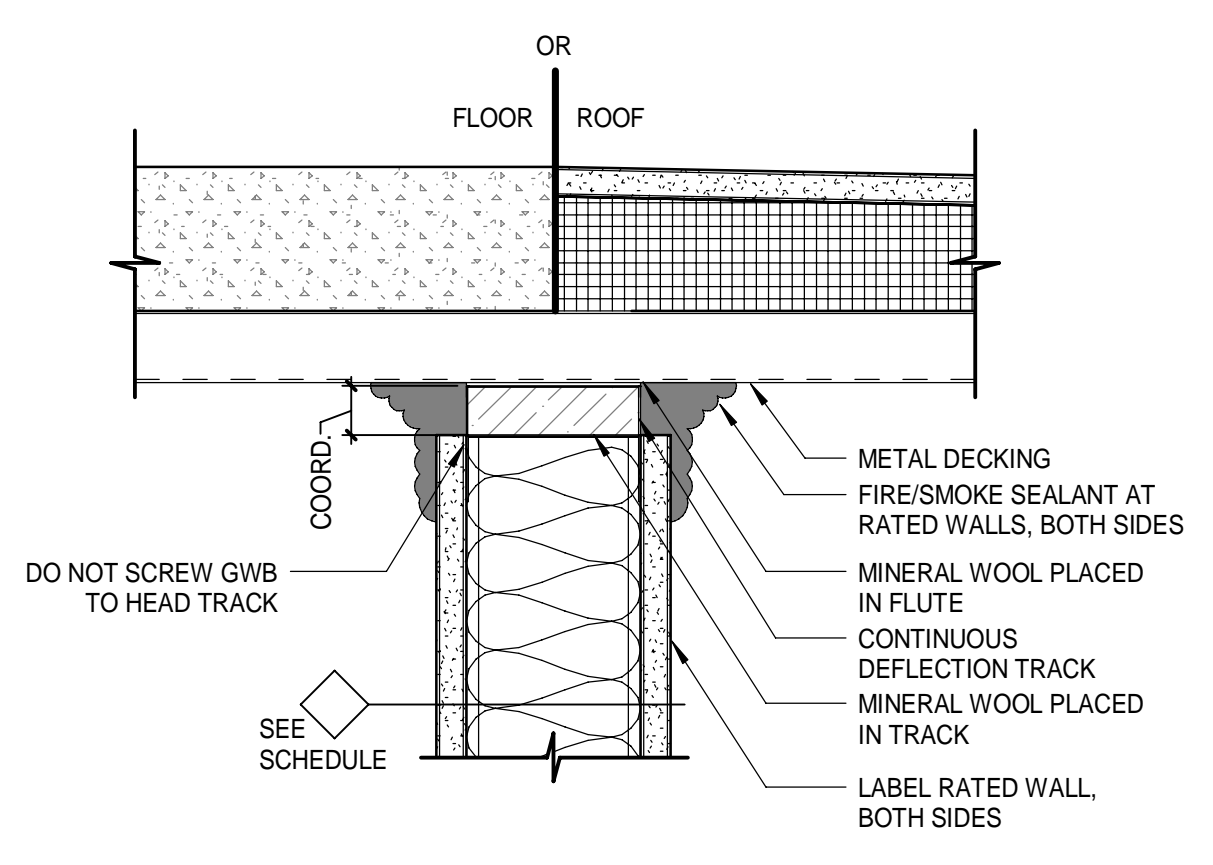
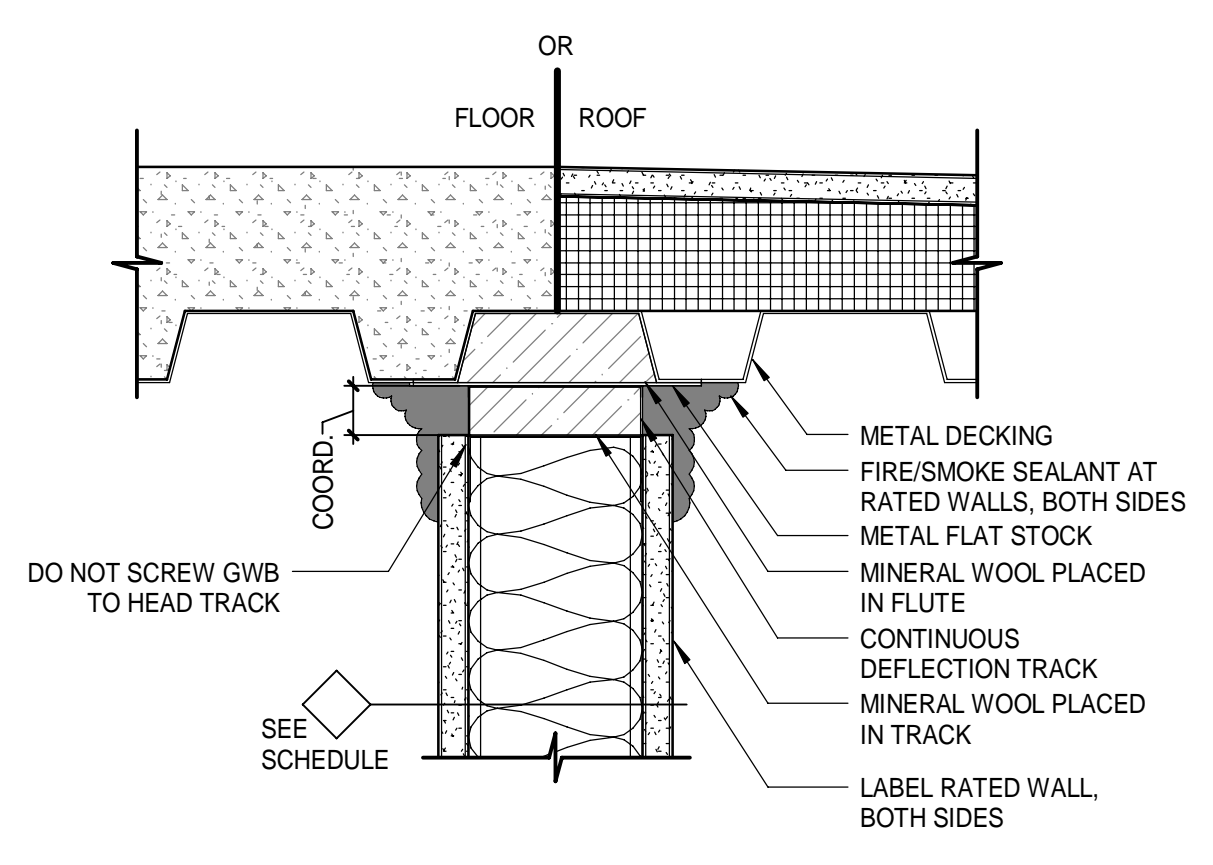
STANDARD MOUNTING HEIGHTS FOR BATHTUB AND SHOWER FIXTURES

STANDARD HEIGHTS FOR TRANSACTION COUNTER/ SHELVING/ SEATING

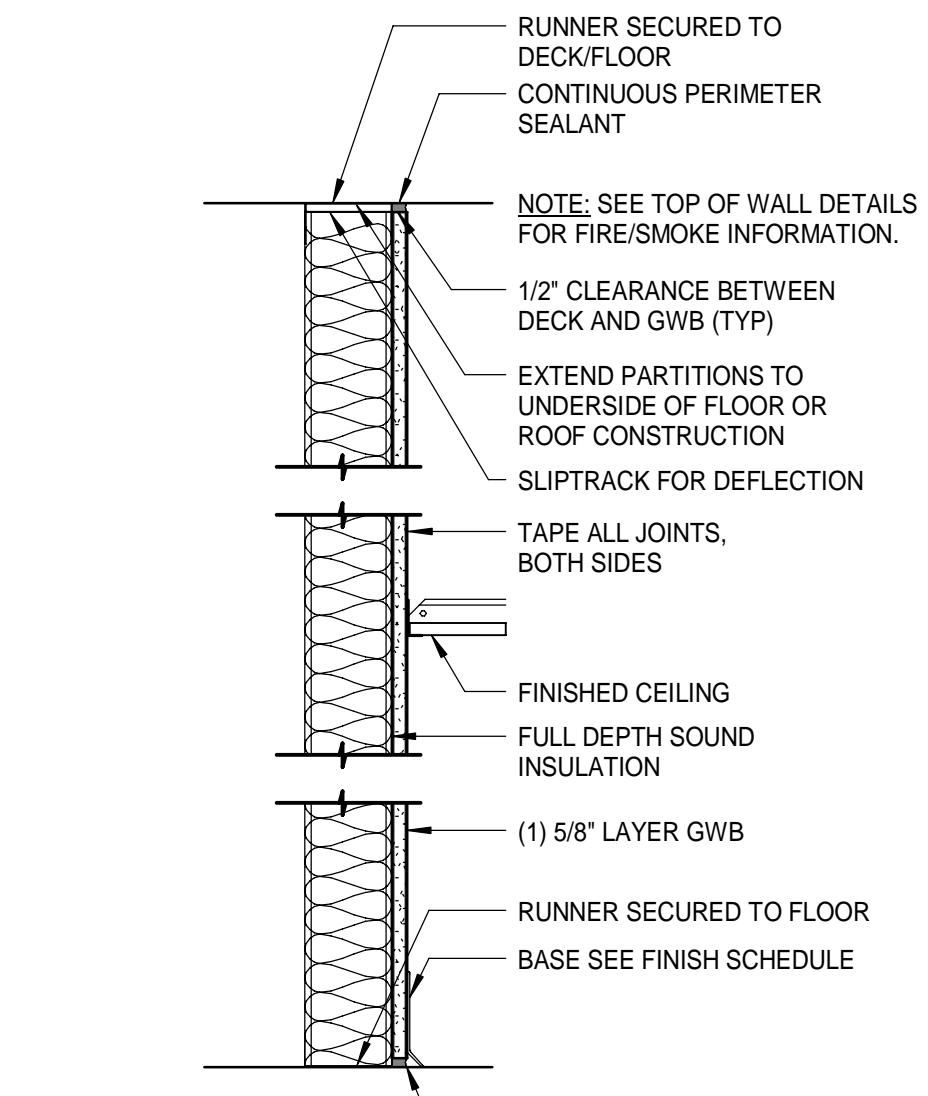
TYPICAL MOUNTING HEIGHTS J4
1/4" = 1'-0"



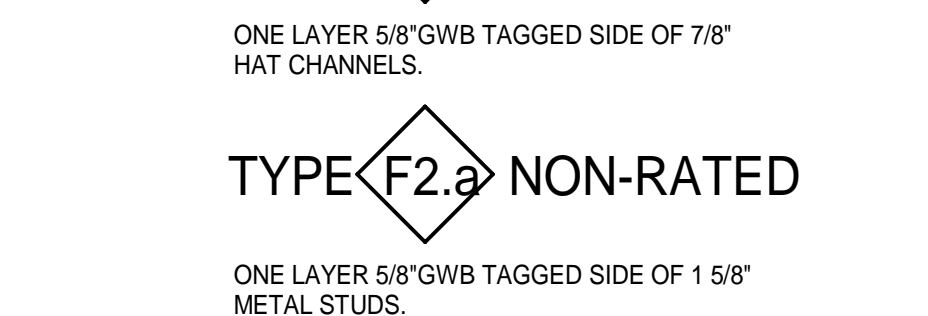
WALL MOUNTED HANDRAIL J1
1 1/2" = 1'-0"



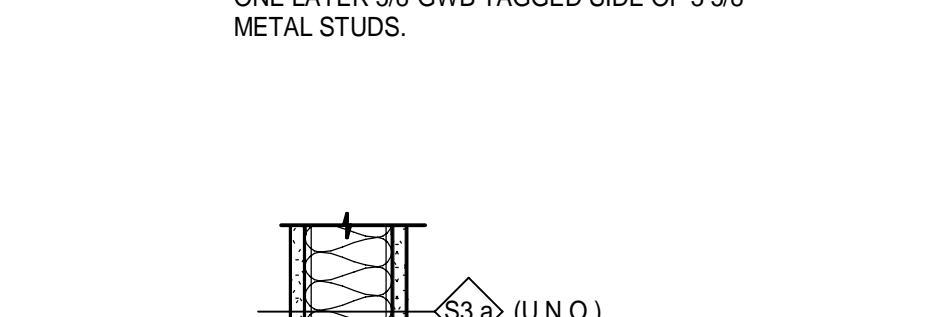
TOP OF WALL DETAILS A11
3" = 1'-0"



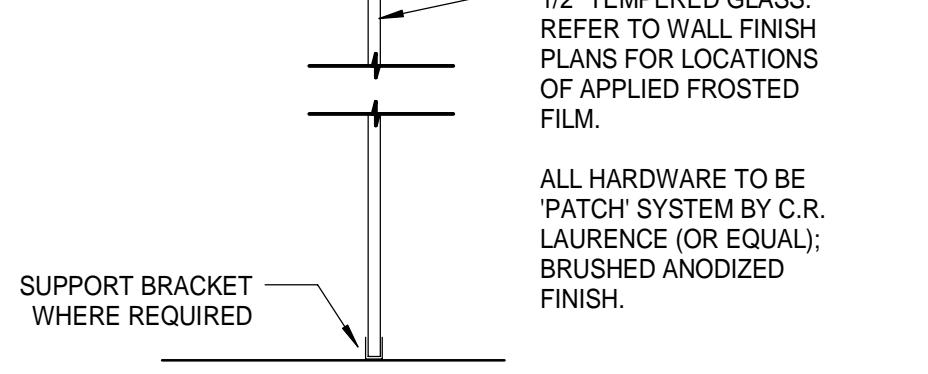
TYPE F1.a NON-RATED
ONE LAYER 5/8" GWB TAGGED SIDE OF 7/8" IAT CHANNELS.



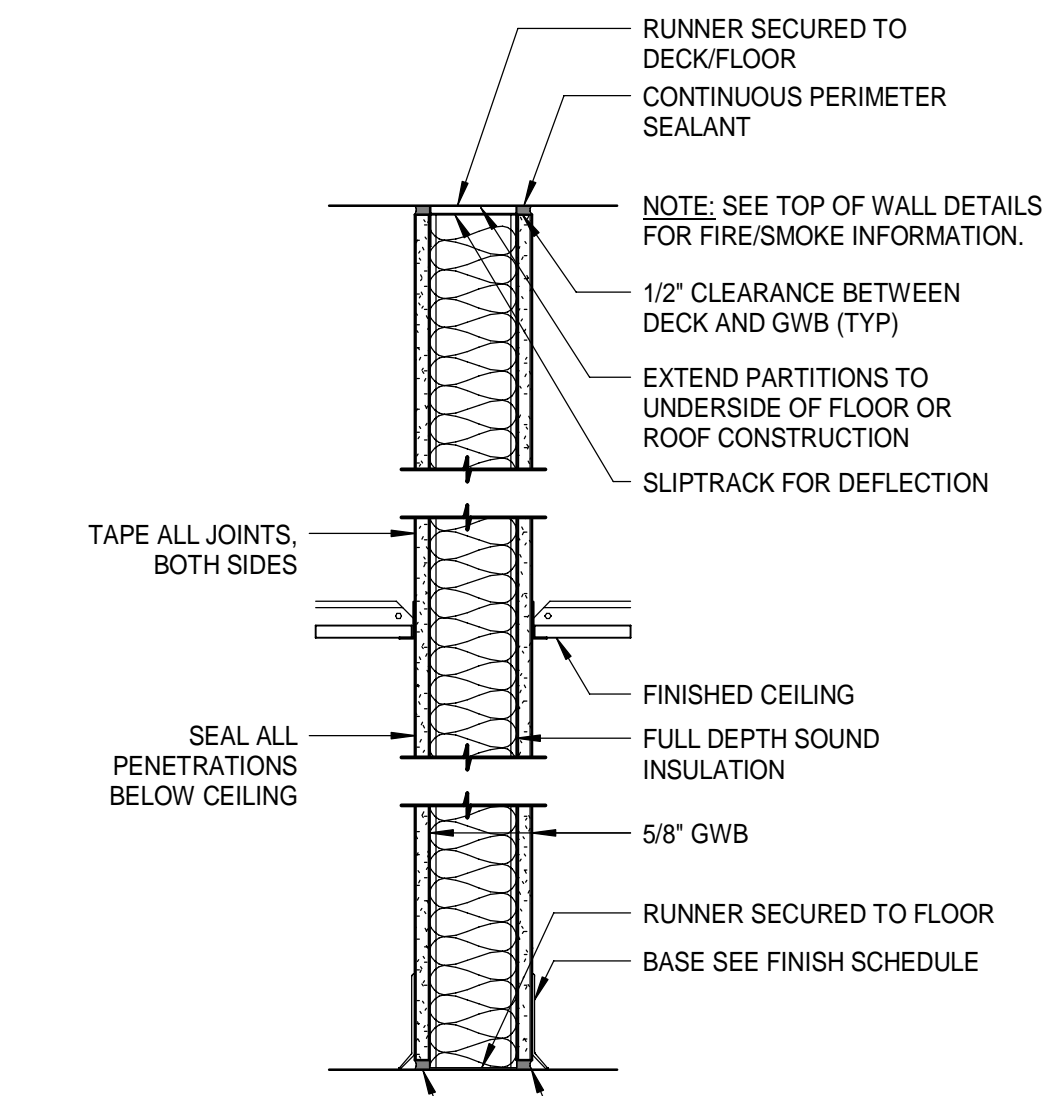
TYPE F2.a NON-RATED
ONE LAYER 5/8" GWB TAGGED SIDE OF 1 5/8" METAL STUDS.



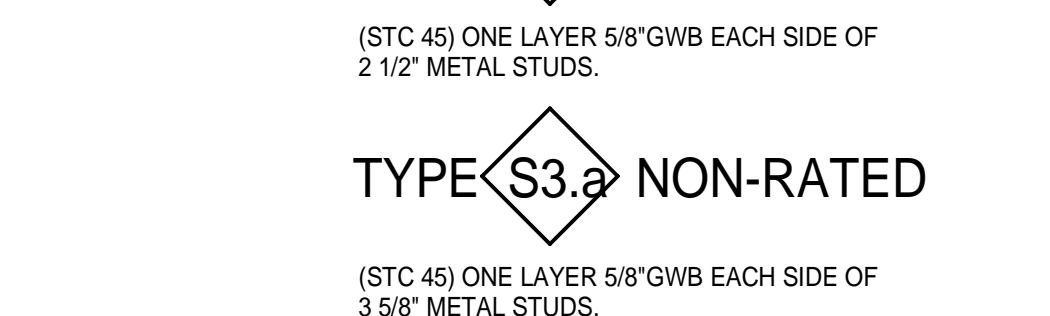
TYPE F3.a NON-RATED
ONE LAYER 5/8" GWB TAGGED SIDE OF 3 5/8" METAL STUDS.



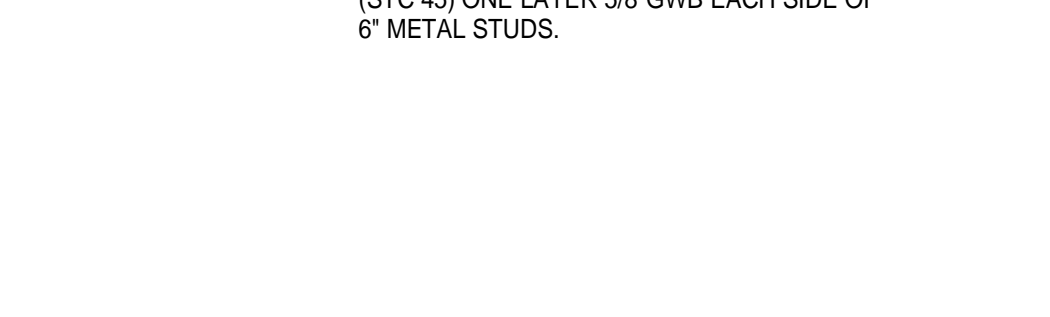
TYPE G1 FRAMELESS GLASS



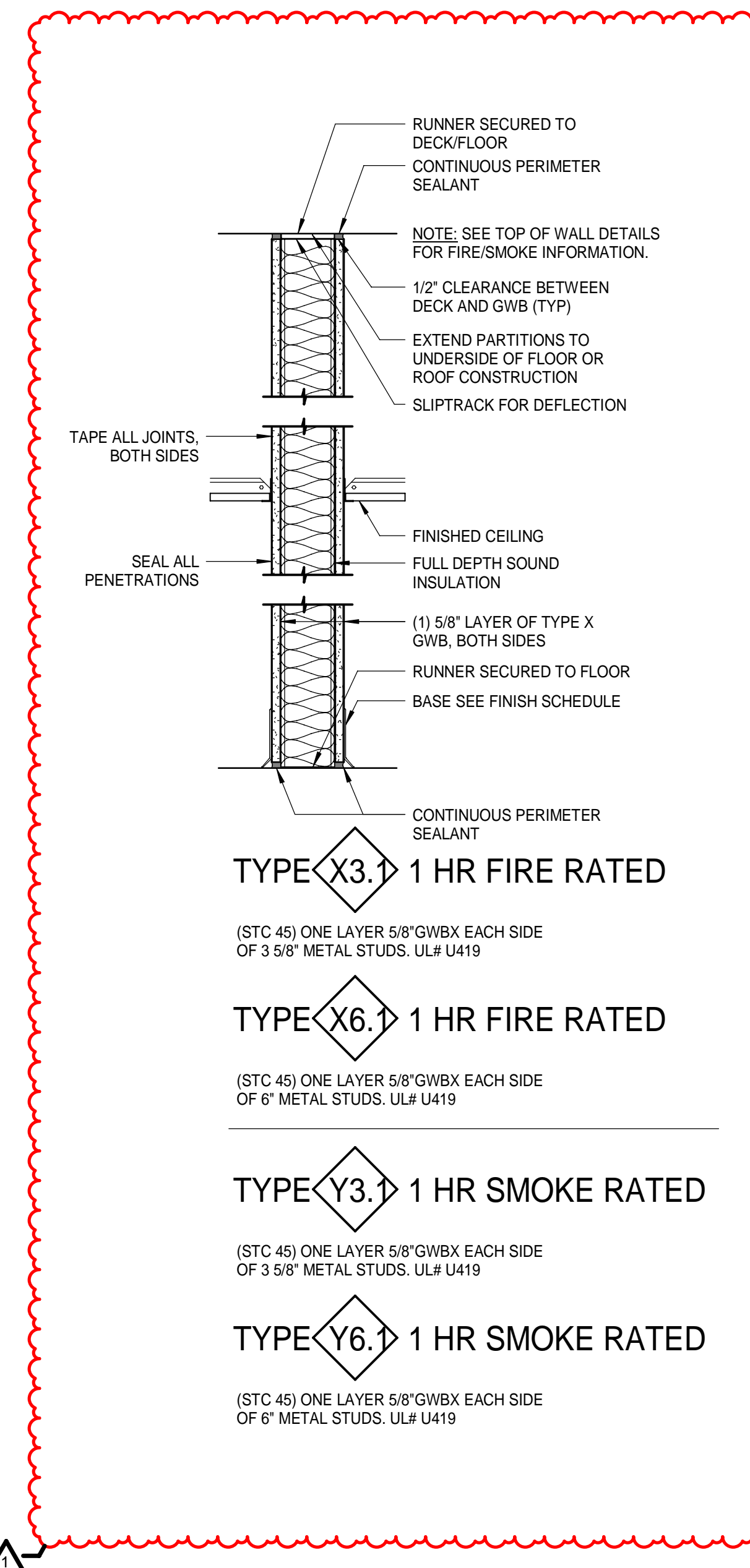
TYPE S2.a NON-RATED
(STC 45) ONE LAYER 5/8" GWB EACH SIDE OF 2 1/2" METAL STUDS.



TYPE S3.a NON-RATED
(STC 45) ONE LAYER 5/8" GWB EACH SIDE OF 3 5/8" METAL STUDS.



TYPE S6.a NON-RATED
(STC 45) ONE LAYER 5/8" GWB EACH SIDE OF 6" METAL STUDS.



WALL TYPES A1
1 1/2" = 1'-0"

WALL TYPE NOTES:

1. ALL INTERIOR PARTITIONS TO BE TYPE S3.a UNLESS OTHERWISE INDICATED.

REV	DESCRIPTION	DATE
1	SI - 4	05/31/18
0	ISSUED FOR CONSTRUCTION	04/16/18

SI - 4
05/31/18

CURRENT ISSUE STATUS:

SMRT Architects and Engineers
144 Fore Street/P.O. Box 618
Portland, Maine 04104

ARCHITECTURE | ENGINEERING | PLANNING | INTERIORS | ENERGY

WEX
CORPORATE HEADQUARTERS

PORTLAND, ME

GENERAL MOUNTING HEIGHTS,
WALL TYPES & TOP OF WALL
DETAILS

SHEET TITLE:

SCALE: AS NOTED

PROJECT NO: 17120-01
PROJECT MANAGER: GWV
JOB CAPTAIN: CBM
DRAWN BY: CBM
SMRT FILE: G1002-17120-01

G1002

SHEET NO.