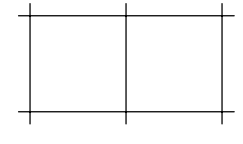
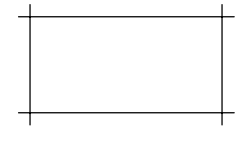
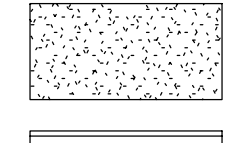
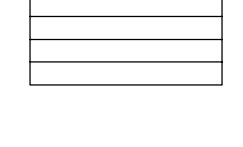
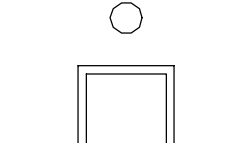
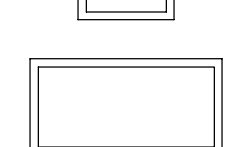
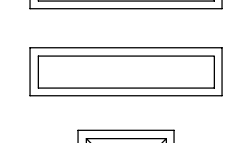
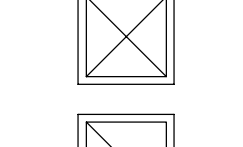
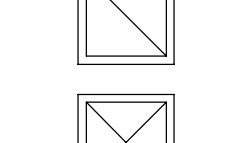
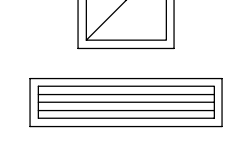




CEILING LEGEND:

-  2x2 CEILING TILE AND GRID
-  2x8 CEILING TILE AND GRID
-  GWB CEILING
-  WOOD CEILING
-  DOWN LIGHT
-  2x2 LIGHT FIXTURE
-  2x4 LIGHT FIXTURE
-  1x4 LIGHT FIXTURE
-  SUPPLY DIFFUSER
-  RETURN DIFFUSER
-  EXHAUST DIFFUSER
-  LINEAR DIFFUSER

CEILING NOTES:

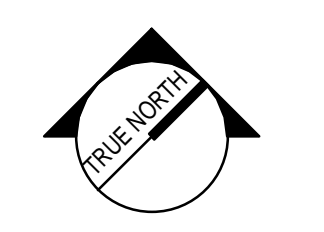
1. SEE G101 FOR GENERAL PROJECT NOTES.
2. SEE FINISH SCHEDULE FOR CEILING AND CEILING GRID TYPES.
3. EXCEPT WHERE INDICATED, CENTER CEILING GRIDS IN ROOMS. USE HALF TILES OF GREATER @ PERIMETERS WHEN POSSIBLE.
4. ALIGN CEILING ITEMS AS SHOWN, WITH COMMON CENTERLINES TYPICALLY. CENTER ITEMS IN CEILING, OR IN AREAS UNLESS INDICATED OTHERWISE.
5. WHERE REGULAR OR BEVELED TILE IS USED, PAINT ALL CUT EDGES TO MATCH.
6. CAULK JOINT BETWEEN CEILING GRID (WALL ANGLE) AND WALL WHERE GAPS ARE LARGER THAN 1/8" OR GREATER. PROVIDE ACCESS PANELS AS REQUIRED IN GWB CEILINGS FOR ACCESS AS REQUIRED BY ALL TRADES.
7. FIRE SPRINKLERS SHALL BE CENTERED IN CEILING TILE OR HALF TILE AS SHOWN. FIRE SPRINKLERS SHALL BE LOCATED IN ALIGNMENT WITH OTHER CEILING ITEMS AND SHALL BE PLACED IN COORDINATION WITH LIGHT FIXTURE POSITIONS INDICATED, TYPICAL.
8. FIRE SPRINKLERS ARE SHOWN FOR COORDINATION PURPOSES ONLY. ADDITIONAL SPRINKLER HEADS MAY BE REQUIRED FOR CODE COMPLIANCE, AS DETERMINED BY THE FIRE PROTECTION DESIGNER. SPRINKLERS ARE NOT SHOWN IN ALL AREAS WHERE REQUIRED. FIRE PROTECTION CONTRACTOR SHALL BE RESPONSIBLE FOR PROVIDING A COMPLETE AND FULLY CODE COMPLIANT SYSTEM, INCLUDING HEADS NOT INDICATED IN THIS DRAWING. SIDEWALL MOUNT SPRINKLER HEADS UNDER BALCONIES ARE NOT SHOWN IN THE CEILING PLANS.
9. MECHANICAL AND ELECTRICAL SCOPE NOT SHOWN. RE: PRODUCT CUT SHEETS AND MECHANICAL AND ELECTRICAL PACKAGES.
10. WHERE ARCHITECTURAL DRAWINGS DEPICT MECHANICAL OR ELECTRICAL ITEMS OR EQUIPMENT (LIGHTS, DIFFUSERS, ETC.) INSTALLATION OF SUCH ITEMS SHALL BE COORDINATED WITH EACH RESPECTIVE TRADE SUB-CONTRACTOR.
11. WHERE DRAWINGS DO NOT ACCESS INSTALLATION METHODOLOGY, THE CONTRACTOR SHALL BE BOUND TO PERFORM IN STRICT COMPLIANCE WITH THE MANUFACTURER'S SPECIFICATIONS, AND STANDARD INDUSTRY STANDARDS.

 NOT IN SCOPE

REV	DESCRIPTION	DATE
1	ADDENDUM NO. 1	12-11-17


ADDENDUM NO. 1
12-11-17

CURRENT ISSUE STATUS:



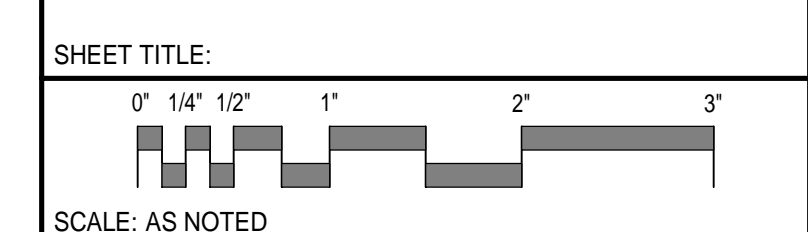
PROJECT NORTH:
SMRT Architects and Engineers
144 Fore Street/P.O. Box 618
Portland, Maine 04104

ARCHITECTURE | ENGINEERING | PLANNING | INTERIORS | ENERGY



WEX
CORPORATE HEADQUARTERS

PORTLAND, ME
AREA A - LEVEL ONE REFLECTED CEILING PLAN



PROJECT MANAGER:	GWV	PROJECT NO.:	17120-01
A/E OF RECORD:	GWV		
JOB CAPTAIN:	CBM		
DRAWN BY:	CBM		
SMRT FILE:	AE121-17120-01	SHEET NO.:	AE121

AREA A - LEVEL ONE REFLECTED CEILING PLAN **B2**
1/8" = 1'-0"