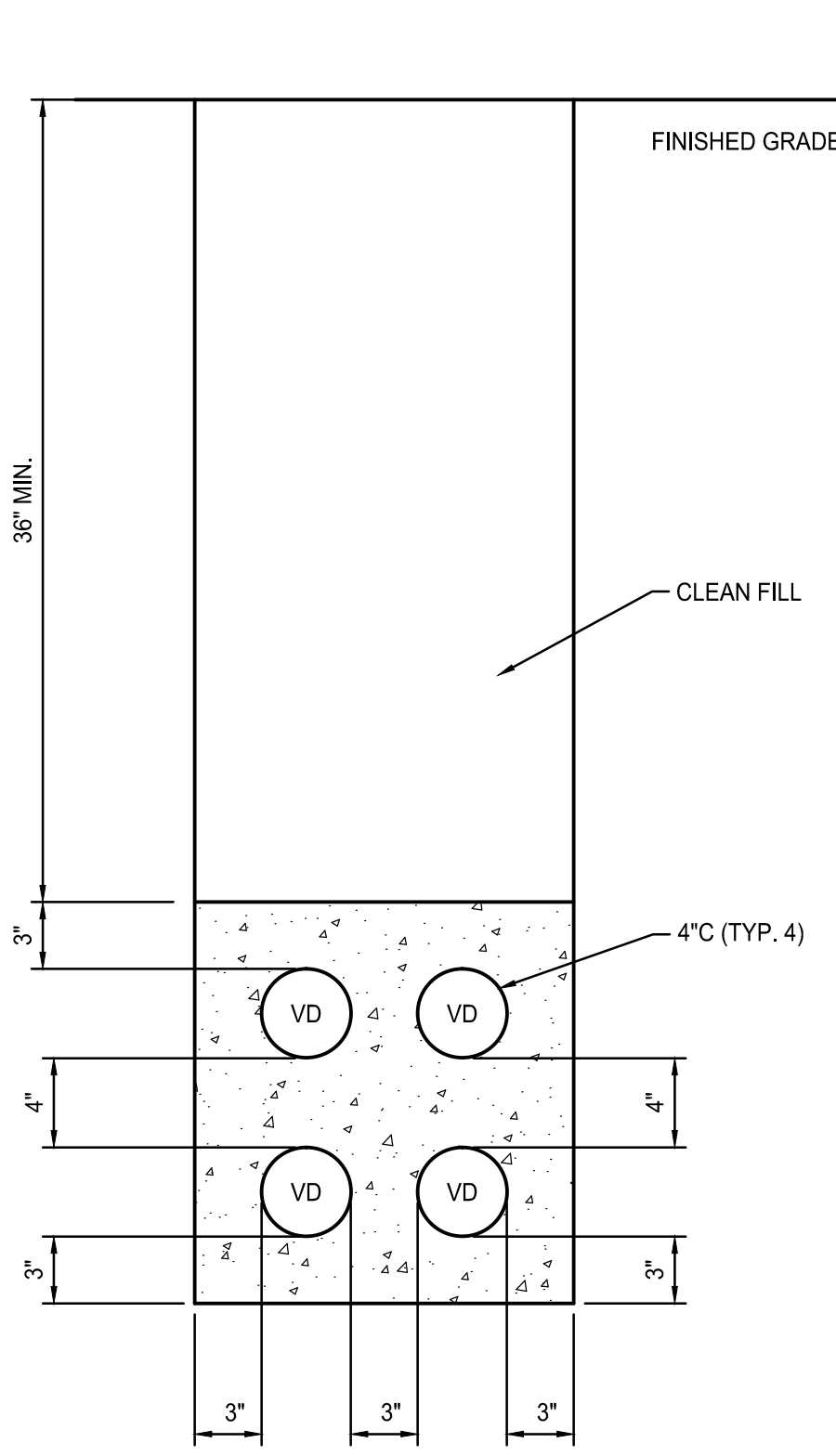
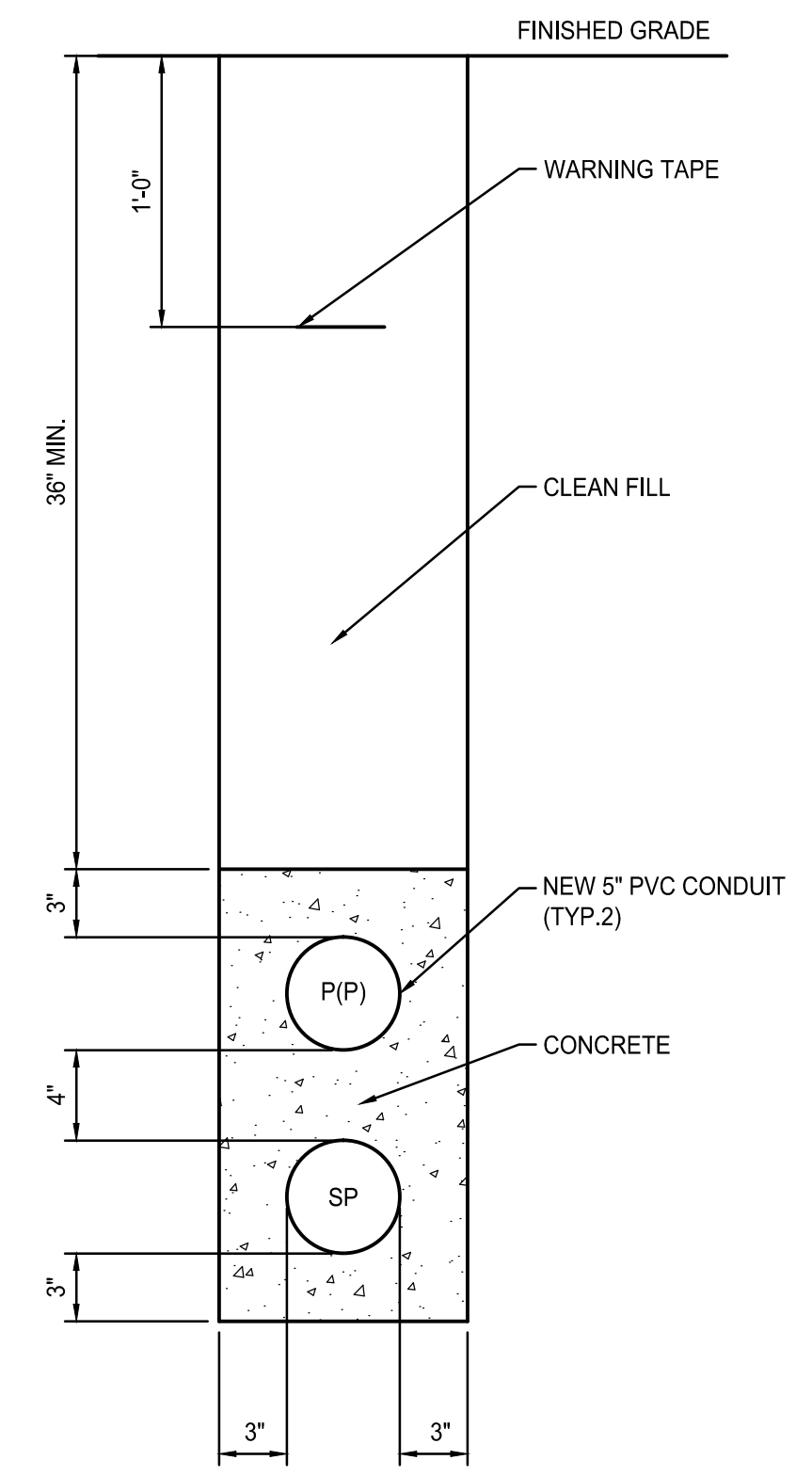


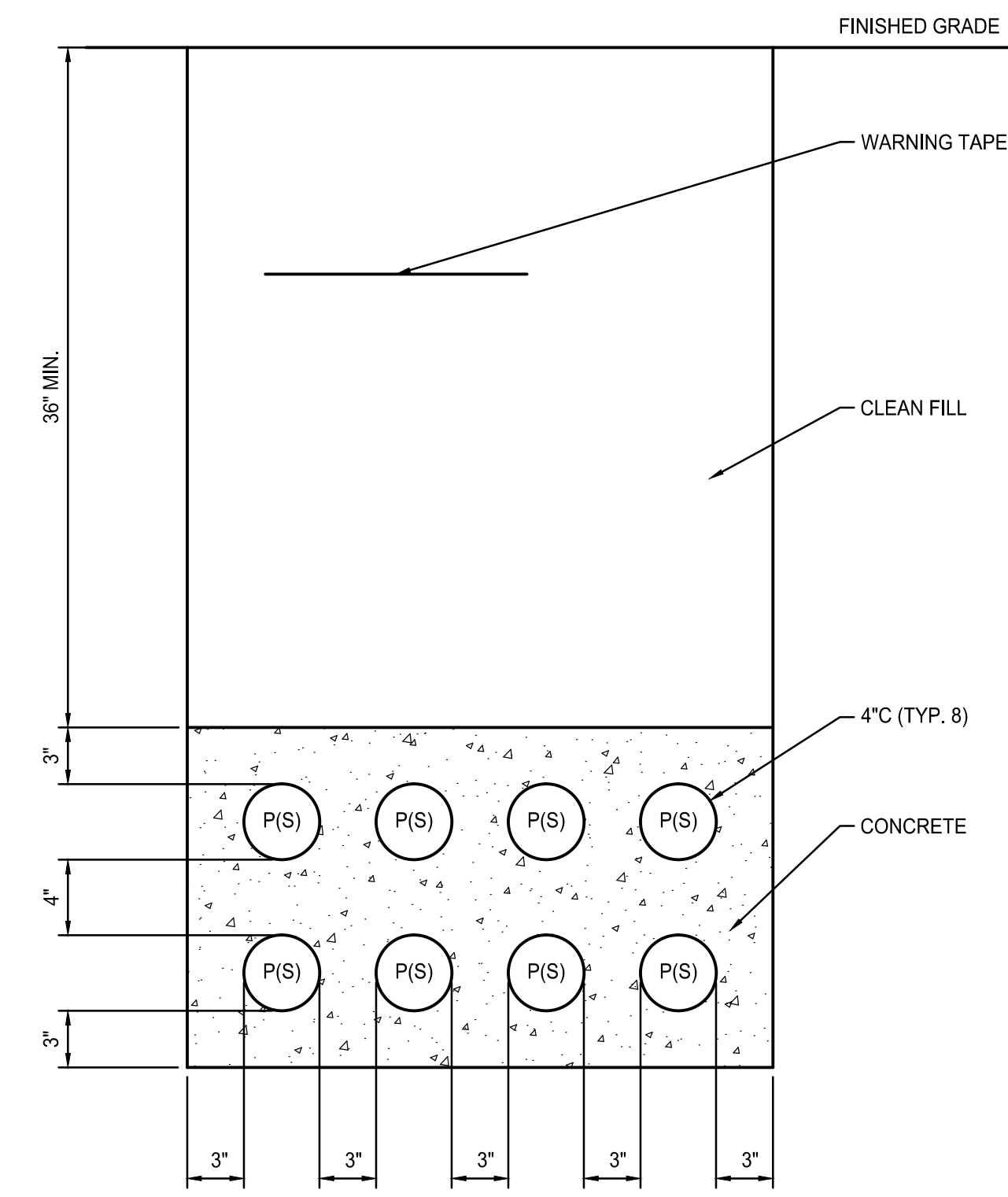
LIGHT FIXTURE SCHEDULE					
TYPE	DESCRIPTION	MFR.	LAMPS	MOUNTING	NOTES
S1	SINGLE HEAD, FULL CUT OFF ARCHITECTURAL AREA LIGHT WITH IES TYPE II DISTRIBUTION. 277V	BEACON VPS-60NB-136-3K-T2 -JJ-RA-BBT	136W LED 3000K	12' ROUND ALUMINUM POLE	
S2	42" HIGH LOUVERED LED BOLLARD LIGHT FIXTURE WITH IES TYPE III DISTRIBUTION. 277V	KIM B30-15L-3K-UV-BL -HS-LC	20W LED 3000K	42" TALL BOLLARD	
S3	LED SOLID EYELID RECESSED STEP LIGHT WITH BLACK FINISH. 277V	HUNZA SLS/L-D3-2-SLCAN-BK	7W LED 2700K	RECESSED WALL	
S4	LED TREE MOUNTED SPOT FLOOD LIGHT WITH 60 DEGREE REFLECTOR. 277V	HUNZA NPS/L-D3-60-2- SSP/T-BK	6W LED 2700K	TREE MOUNT KIT	



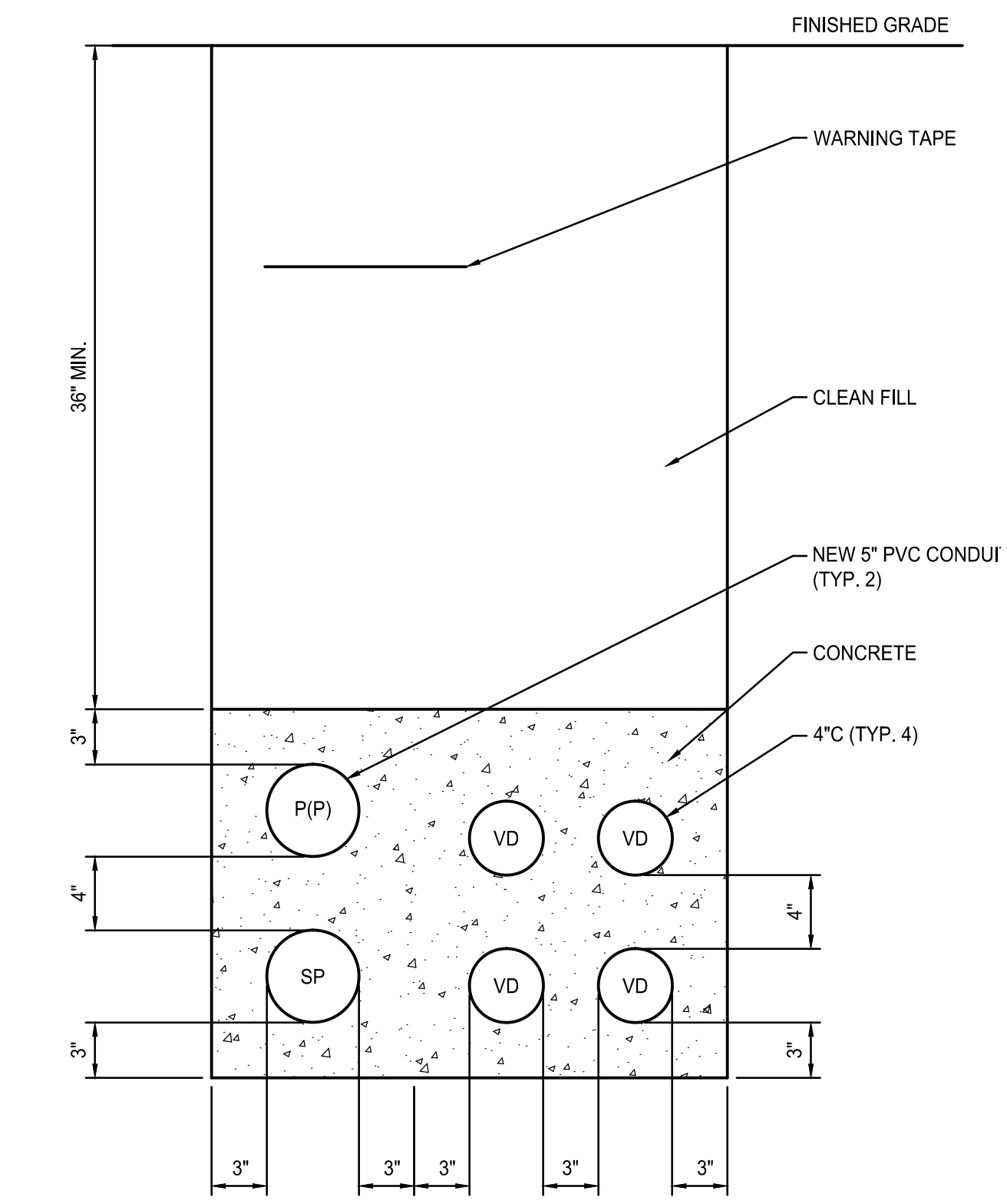
DUCT BANK DETAIL A12
NONE



DUCT BANK DETAIL A9
NONE



DUCT BANK DETAIL A5
NONE

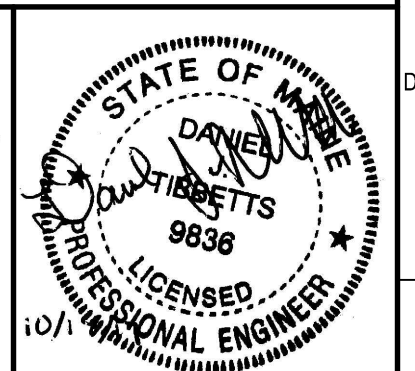


DUCT BANK DETAIL A1
NONE

REV	DESCRIPTION	DATE
0	ISSUED FOR PERMIT	10/23/2017

ISSUED FOR PERMIT
10/23/2017

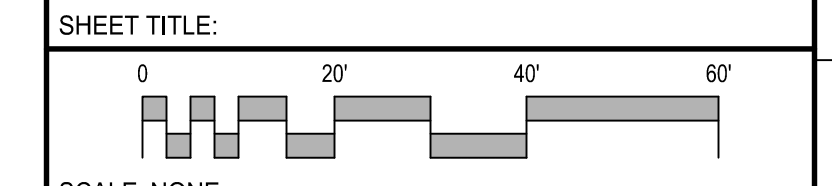
CURRENT ISSUE STATUS:



SMRT Architects and Engineers
 144 Fore Street
 Portland, Maine 04104
 1.877.700.7678
 www.smrtinc.com

ARCHITECTURE | ENGINEERING | PLANNING | INTERIORS | ENERGY **SMRT**
 CLIENT NAME
 PROJECT TITLE

PROJECT LOCATION
 LIGHT FIXTURE SCHEDULE
 AND DETAILS



SCALE: NONE
 PROJECT MANAGER: DJT PROJECT NO: 17146
 A/E OF RECORD: DJT
 JOB CAPTAIN: DJT
 DRAWN BY: CDS
 SMRT FILE: ES301-17146 SHEET No. **ES301**