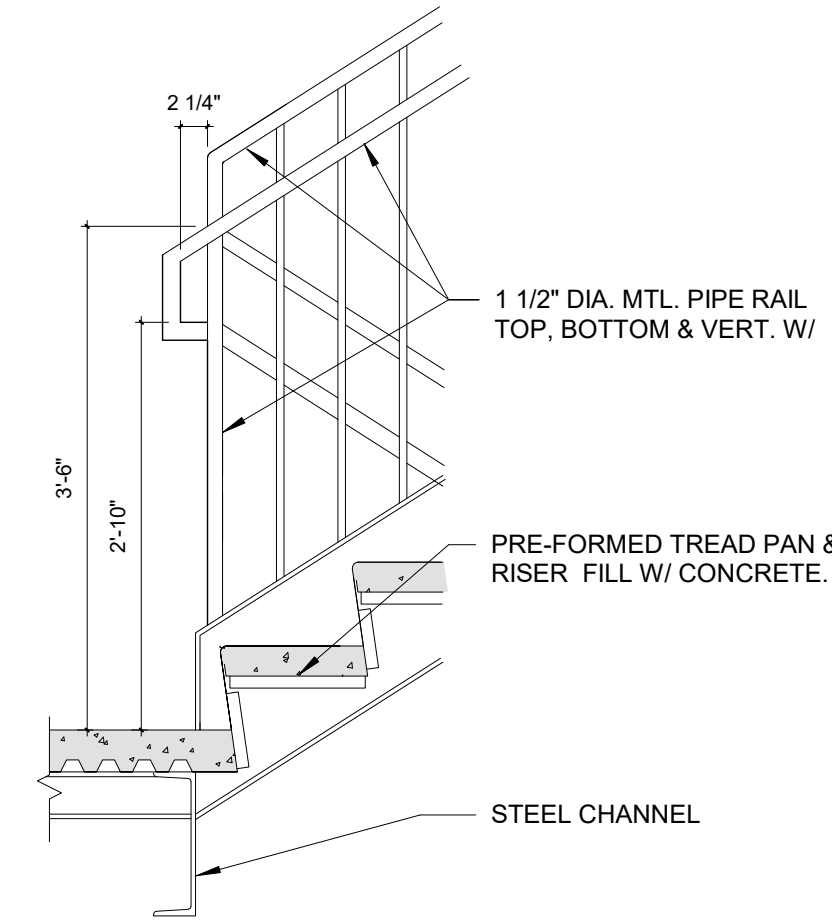
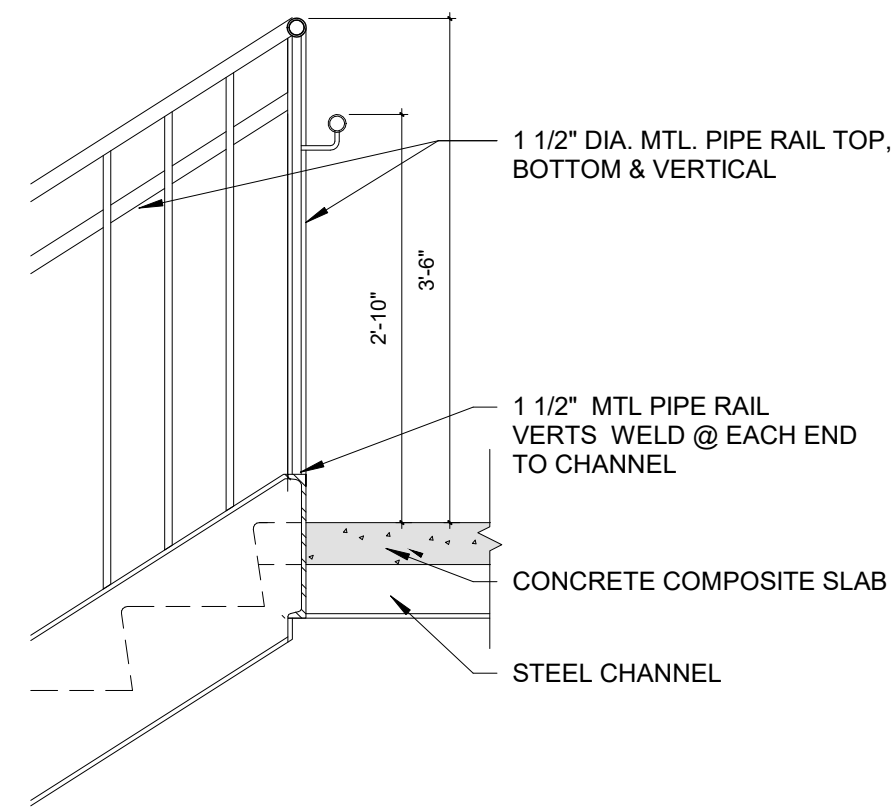


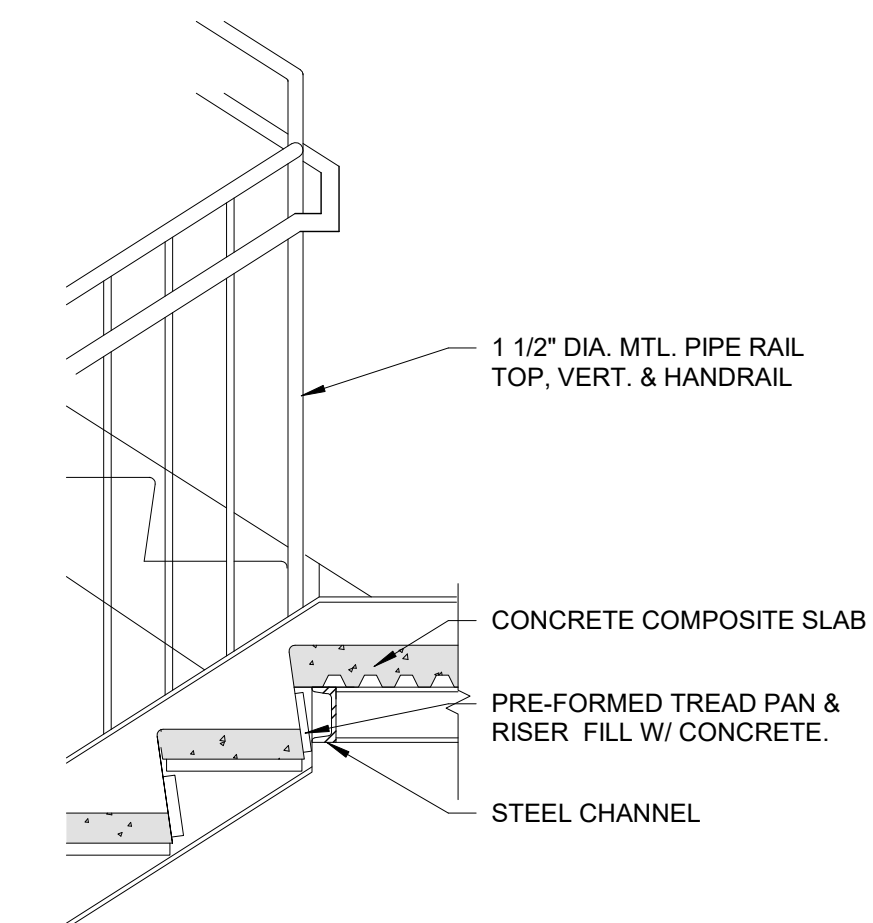
9 STAIR DETAIL - B/O RUN TO DECK
3/4" = 1'-0"



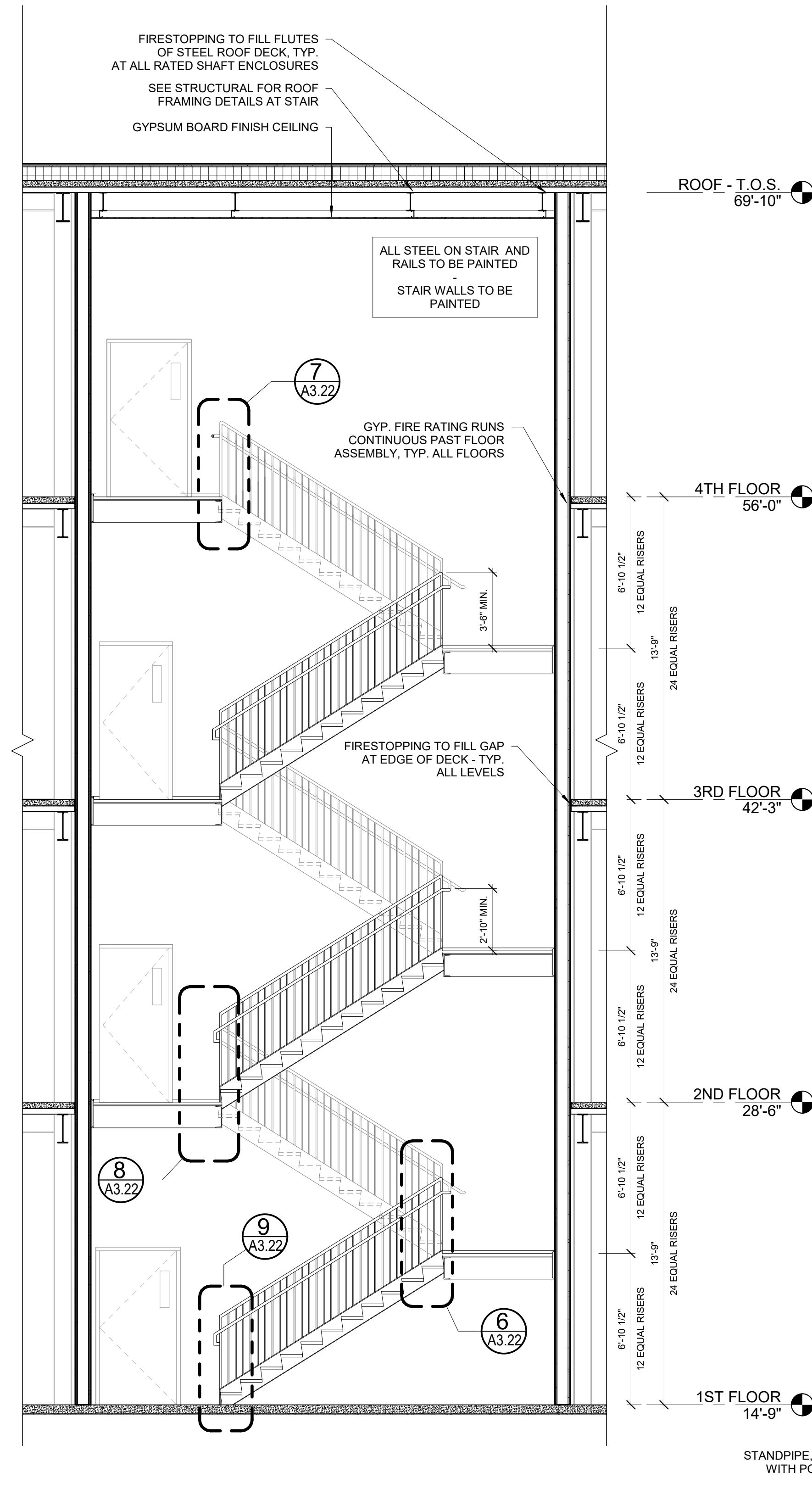
8 STAIR DETAIL - B/O RUN TO LANDING
3/4" = 1'-0"



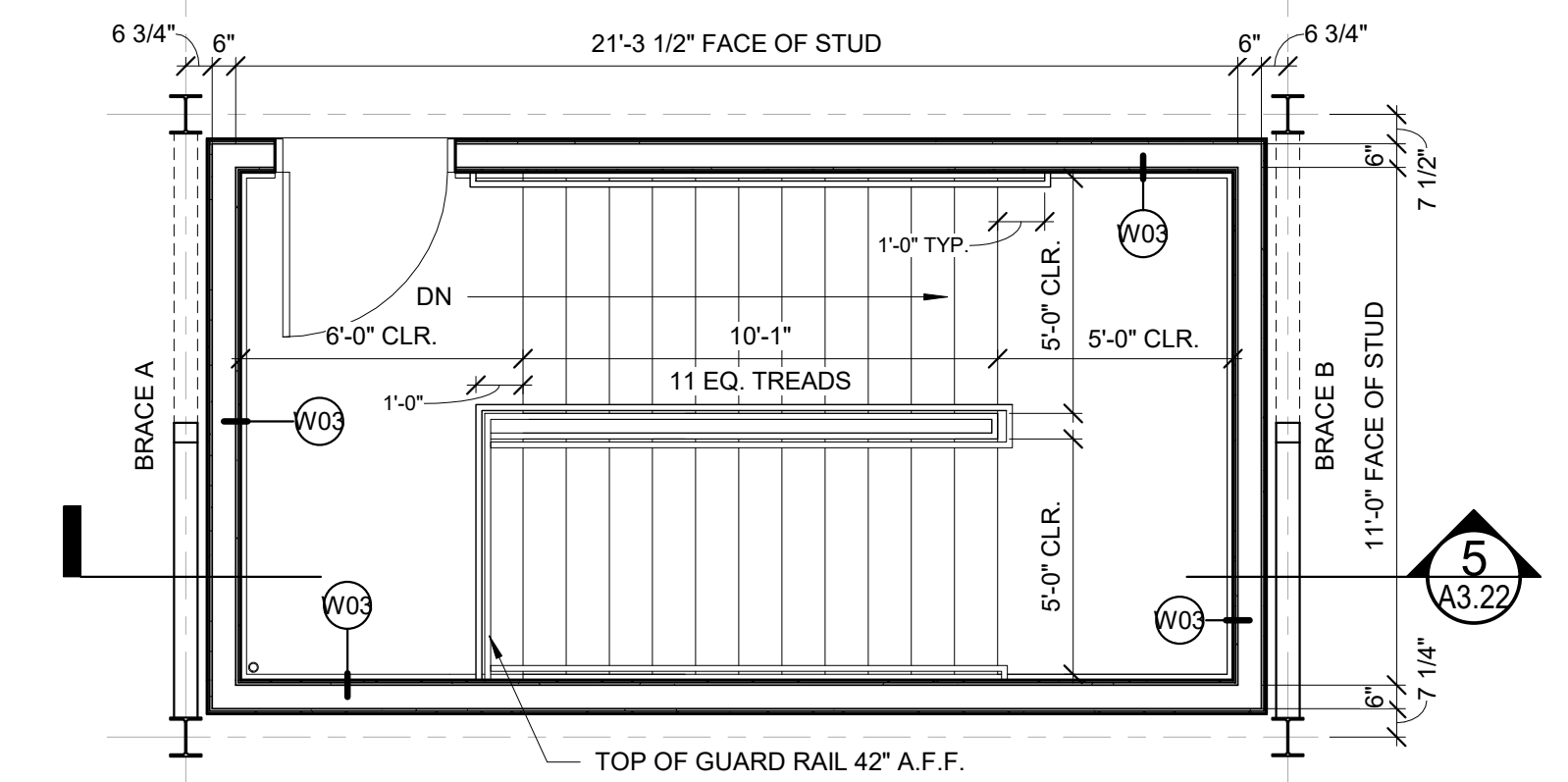
7 STAIR DETAIL - T/O RUN TO DECK
3/4" = 1'-0"



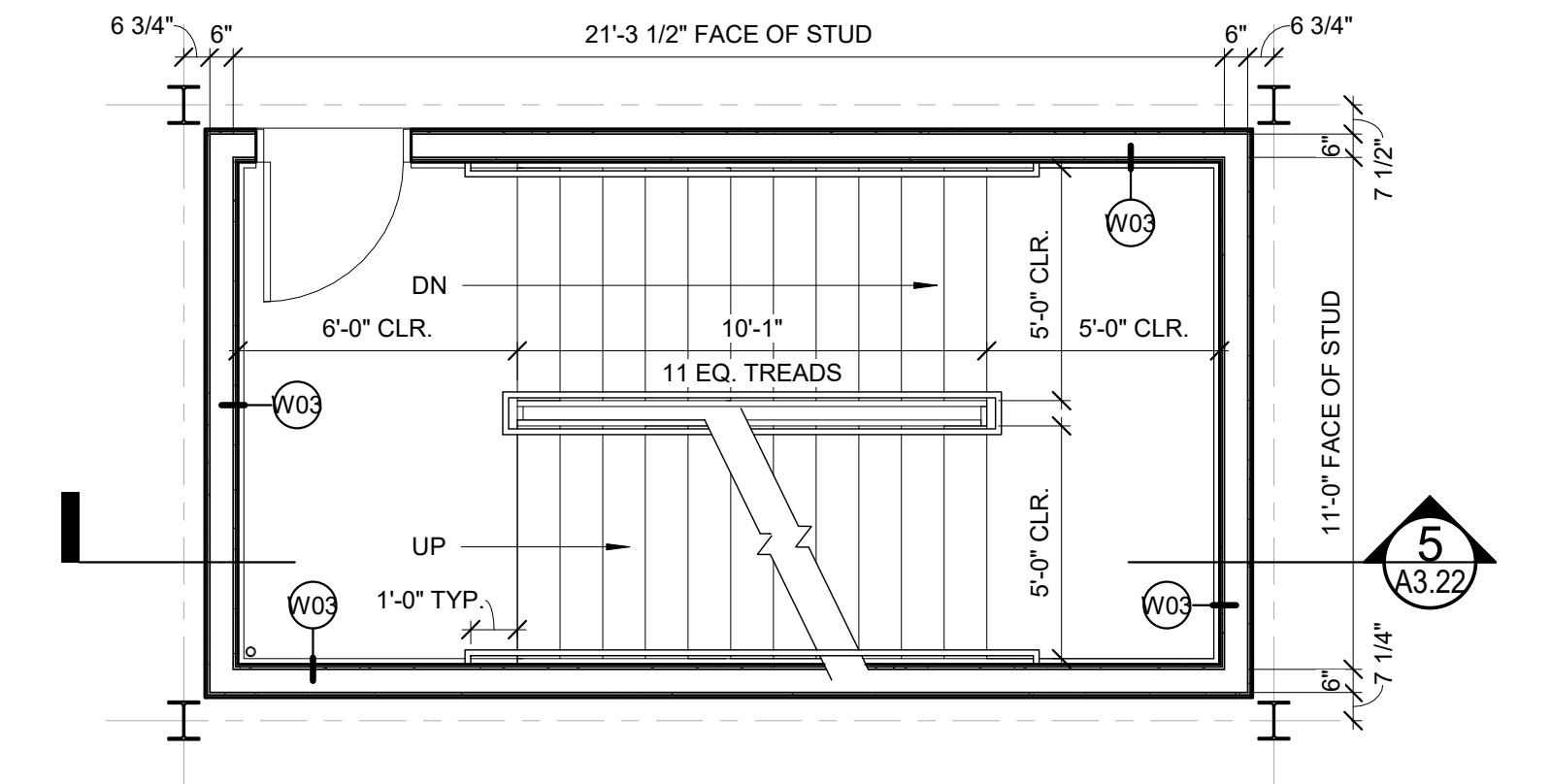
6 STAIR DETAIL - T/O RUN TO LANDING
3/4" = 1'-0"



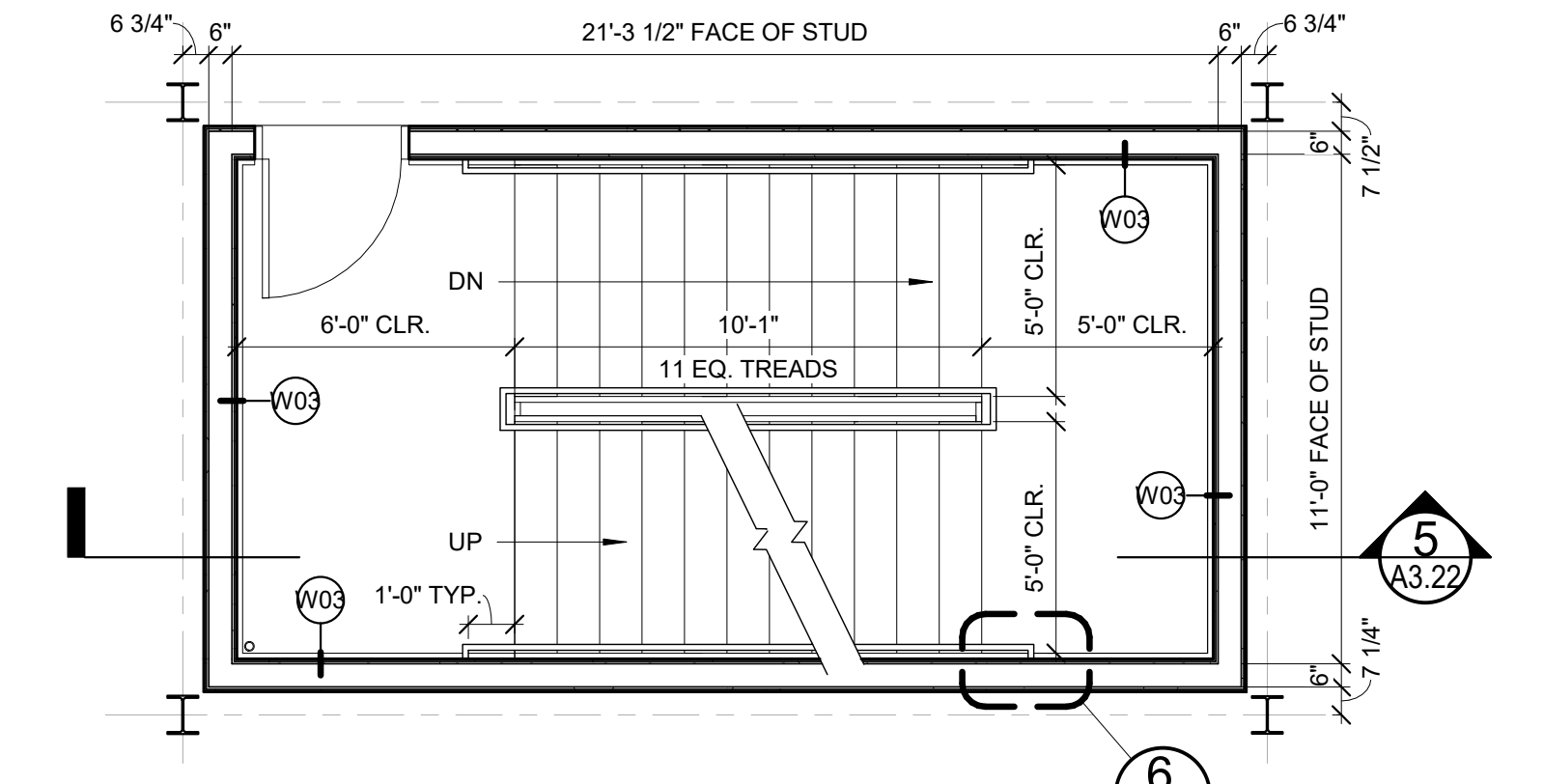
5 SECTION AT STAIR A
1/4" = 1'-0"



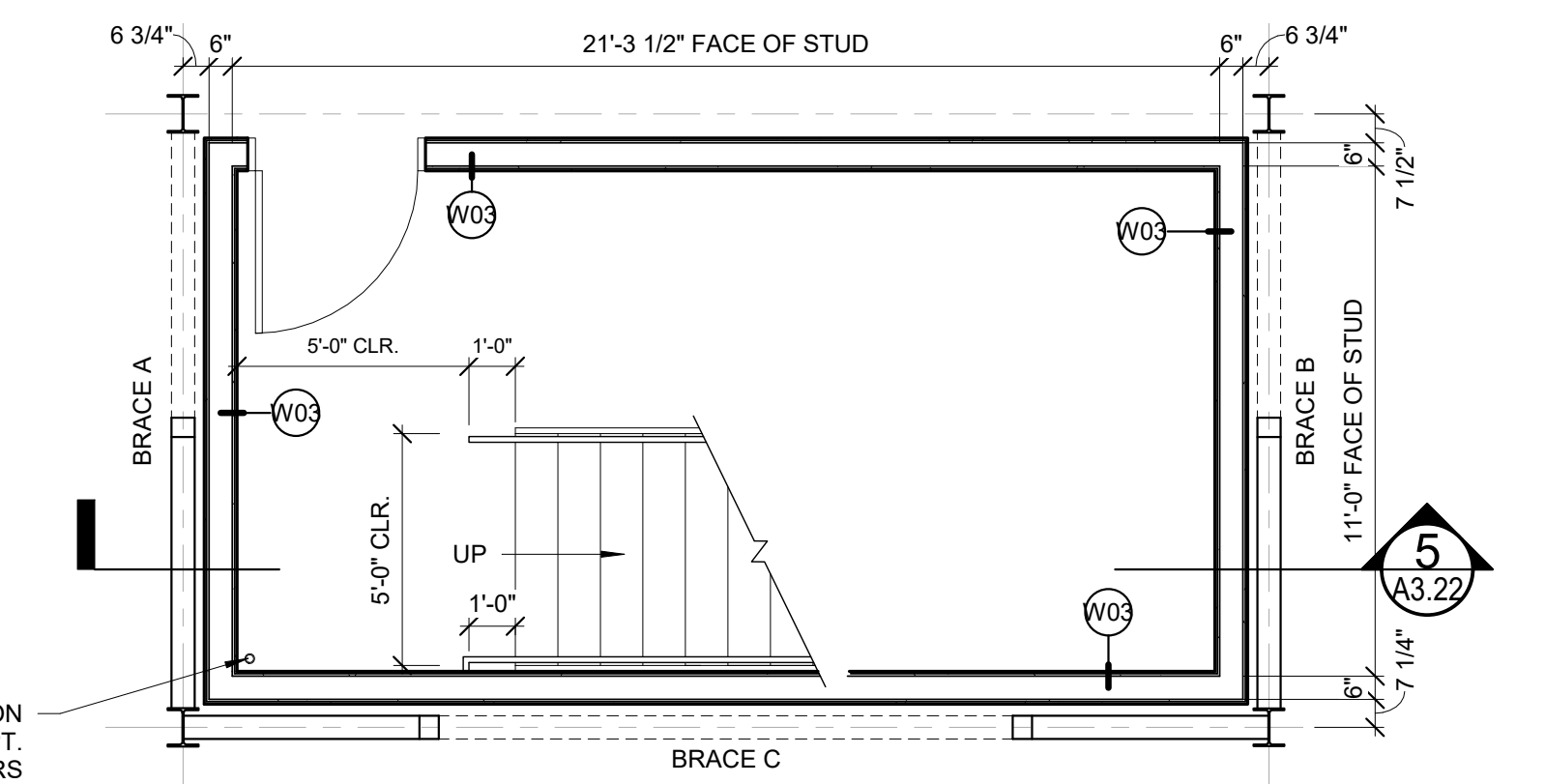
4 STAIR A - FOURTH FLOOR PLAN
1/4" = 1'-0"



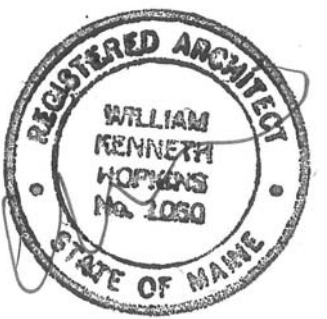
3 STAIR A - THIRD FLOOR PLAN
1/4" = 1'-0"



2 STAIR A - SECOND FLOOR PLAN
1/4" = 1'-0"



1 STAIR A - FIRST FLOOR PLAN
1/4" = 1'-0"



Prepared For:
0 Hancock Street LLC
Address
City, State

Consultant:
ARCHETYPE architects
48 Union Wharf Portland, Maine 04101
(207) 772-6022 ARCHETYPE@ARCHETYPEPA.COM

Project:
0 Hancock Street
1 Hancock Street
Portland, Maine

Revisions:
Issued For Permit - 10/23/2017

Date: August 2017
Scale: As indicated
Stair A Sections and Details

A3.22