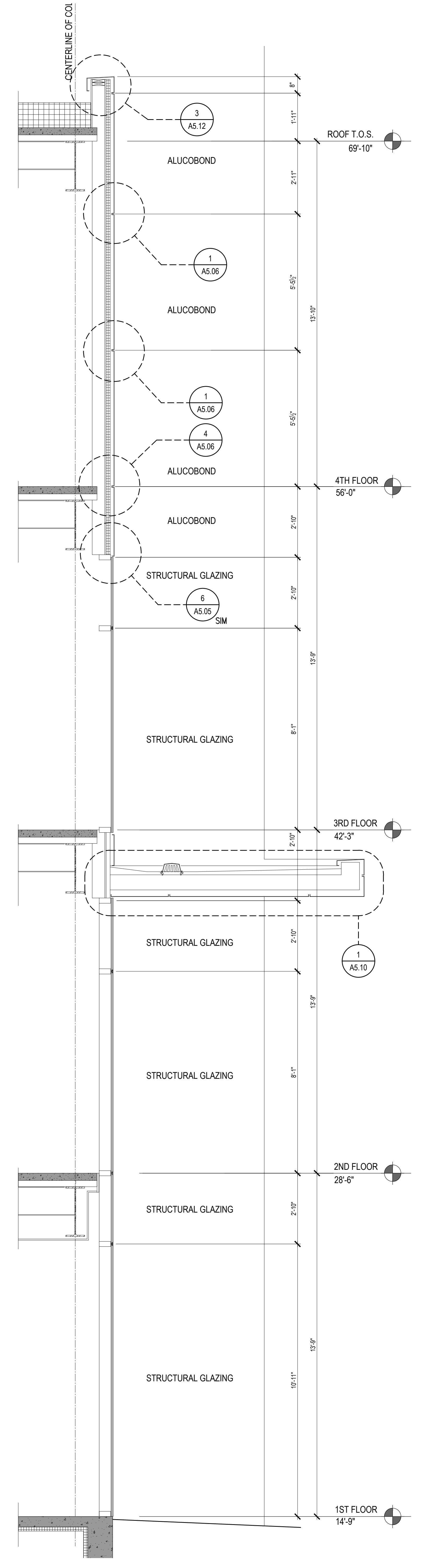


**1** WALL SECTION  
SCALE: 1/2"=1'-0"



**2** WALL SECTION  
SCALE: 1/2"=1'-0"

A3.18

Date: OCT 23, 2017  
Scale: As indicated  
**WALL SECTIONS**

Revisions:  
Issued for Permit

Project:  
**WEX BUILDING**  
1 Hancock St. Portland Maine

Architect:  
**ARCHETYPE Architects**  
48 Union Wharf Portland, Maine 04101  
(207) 772-6022 ARCHETYPE@ARCHETYPEPA.COM

Consultant:  
**ENVELOPE**  
ARCHITECTURE & CONSULTING  
BUILDING ENVELOPE DESIGN  
CONSULTING, INVESTIGATION AND  
COMMISSIONING - WINDHAM, ME  
207-807-6661

Prepared For:  
**0 Hancock Street LLC**

