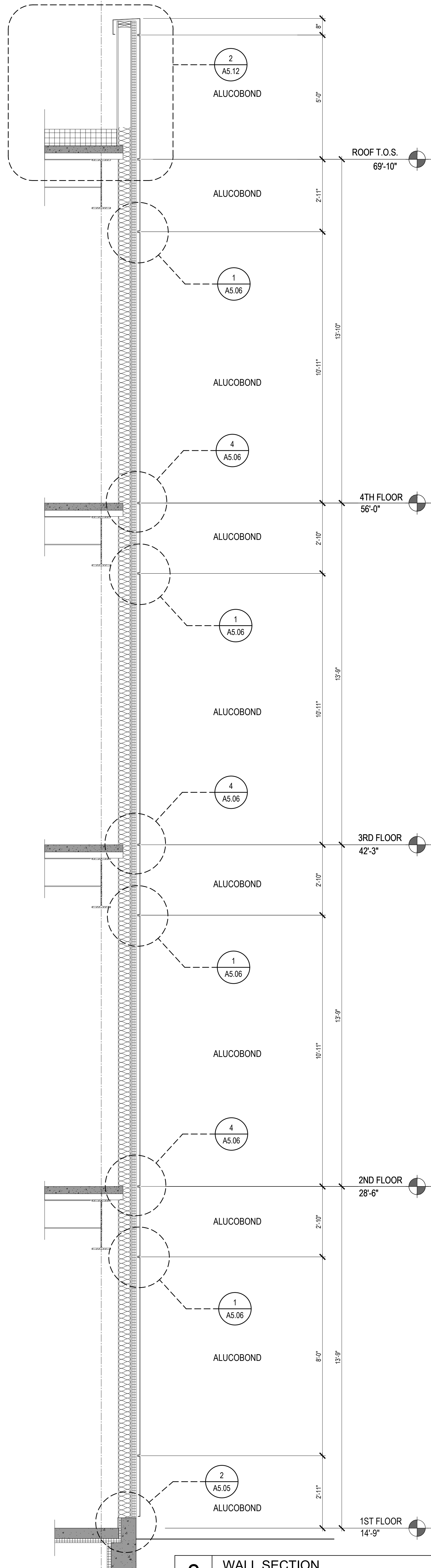


1 WALL SECTION

SCALE: 1/2"=1'-0"



2 WALL SECTION

SCALE: 1/2"=1'-0"

A3.17

Date:	OCT 23, 2017	Scale:	As indicated
WALL SECTIONS			

Revisions:	Issued for Permit
------------	-------------------

Project:	WEX BUILDING
1 Hancock St. Portland Maine	

Architect:	ARCHETYPE architects
48 Union Wharf Portland, Maine 04101 (207) 772-6022 ARCHETYPE@ARCHETYPEPEA.COM	

Consultant:	ENVELOPE ARCHITECTURE & CONSULTING
BUILDING ENVELOPE DESIGN CONSULTING, INVESTIGATION AND COMMISSIONING - WINDHAM, ME 207-807-6661	

Prepared For:	0 Hancock Street LLC
---------------	-----------------------------

