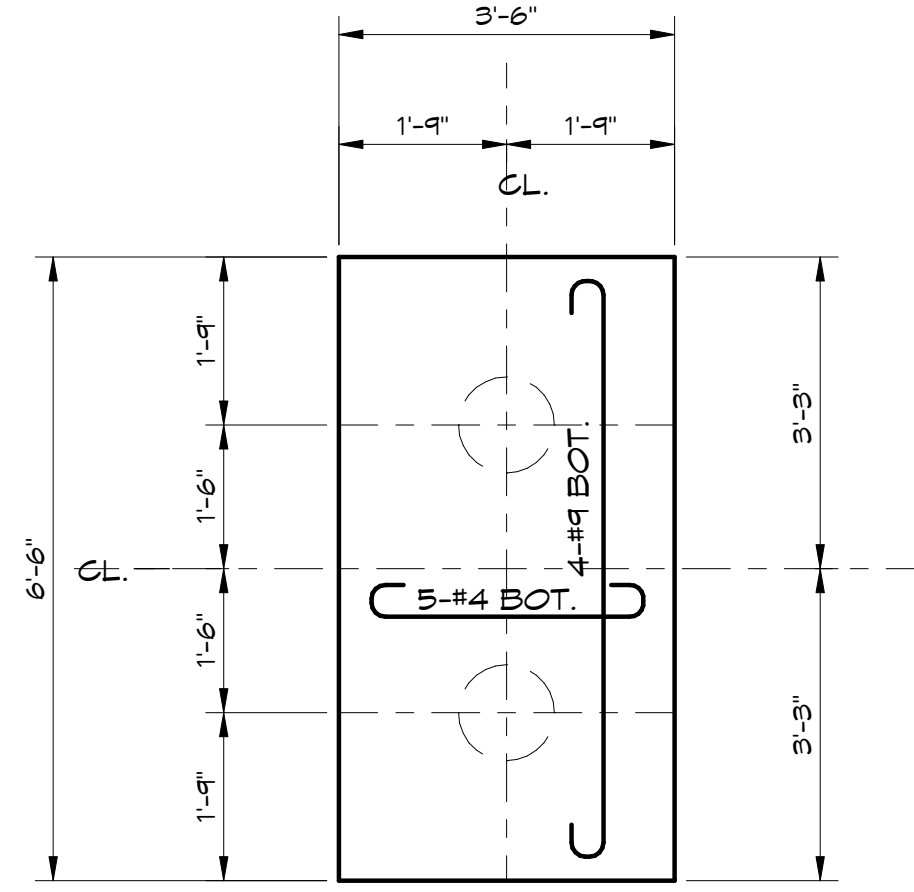
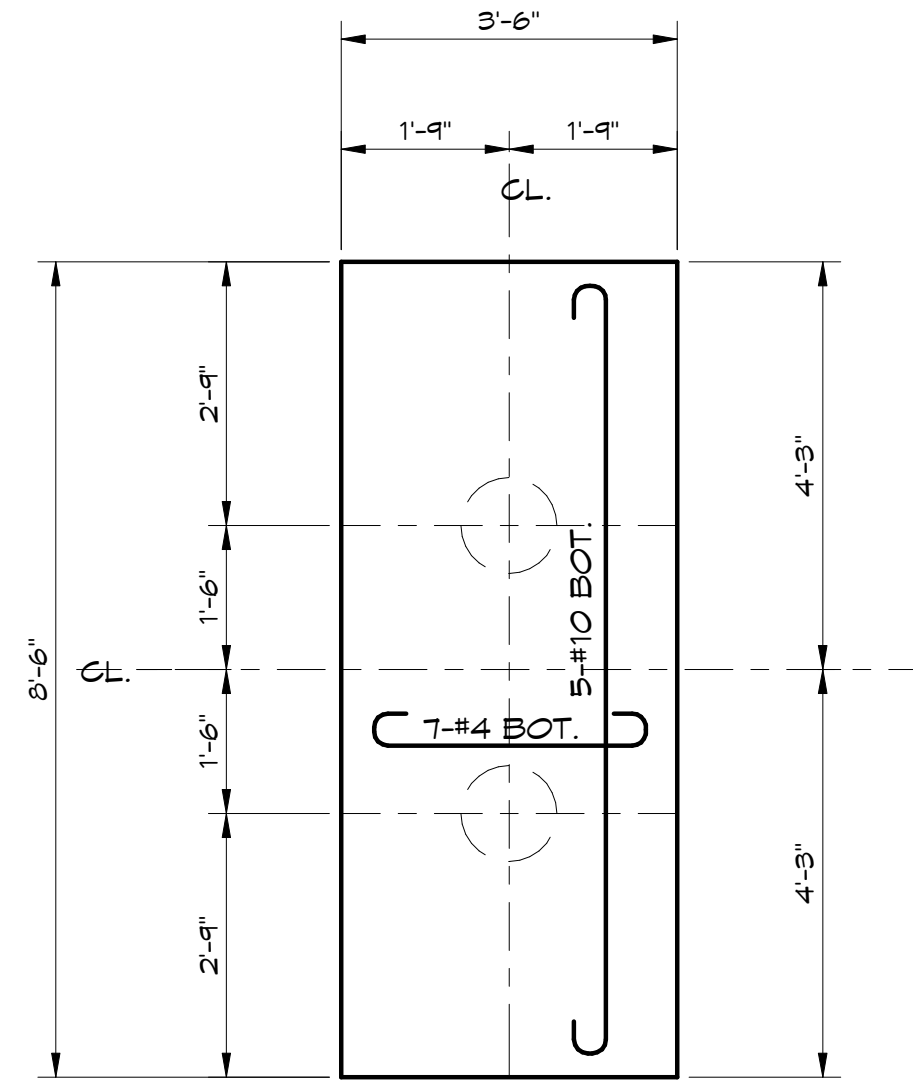


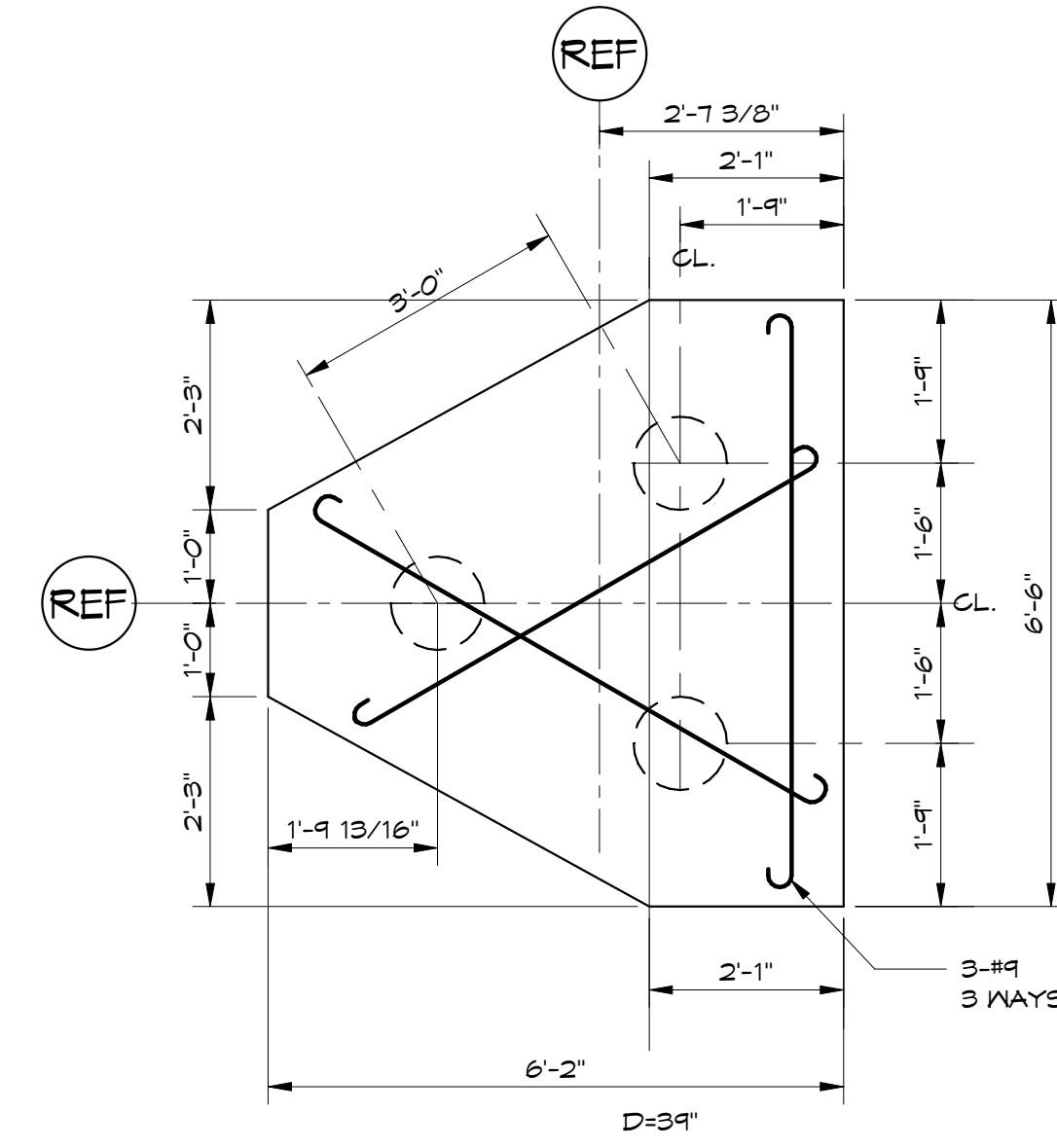
PLAN D=30"  
PILE CAP - PC-1



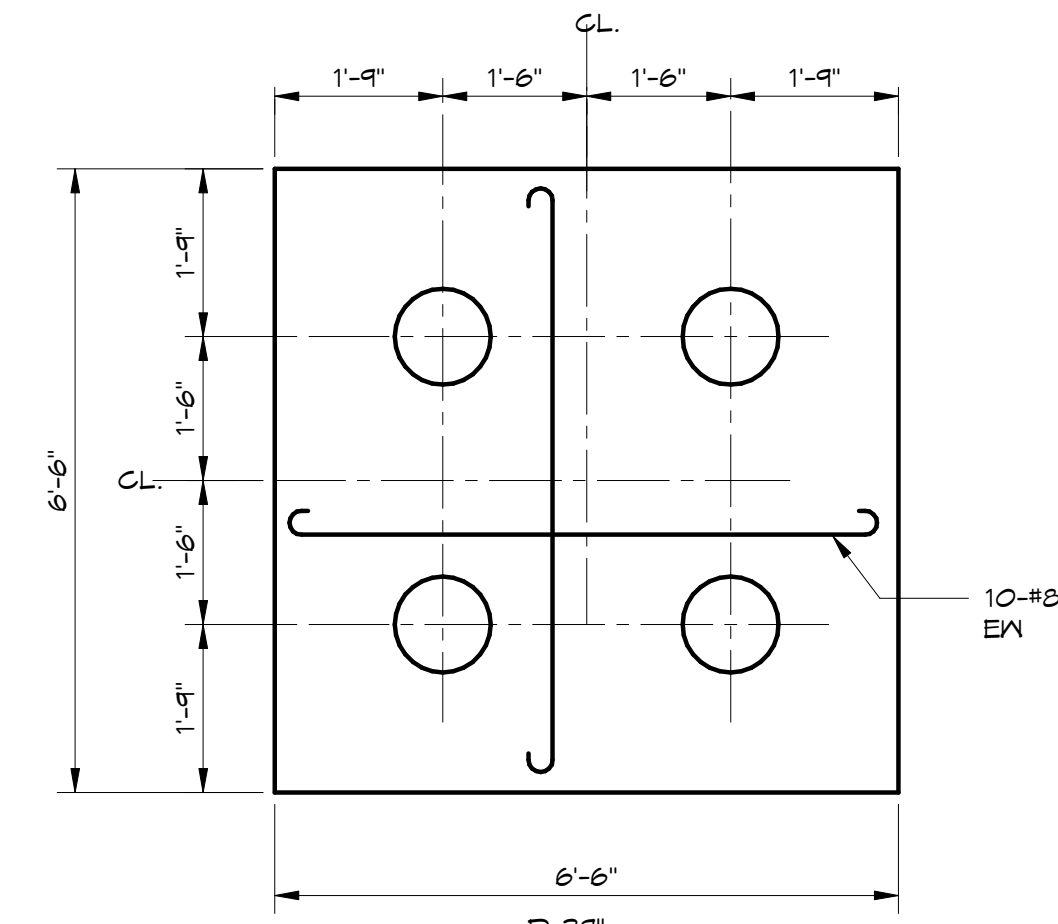
PLAN D=30"  
PILE CAP - PC-2



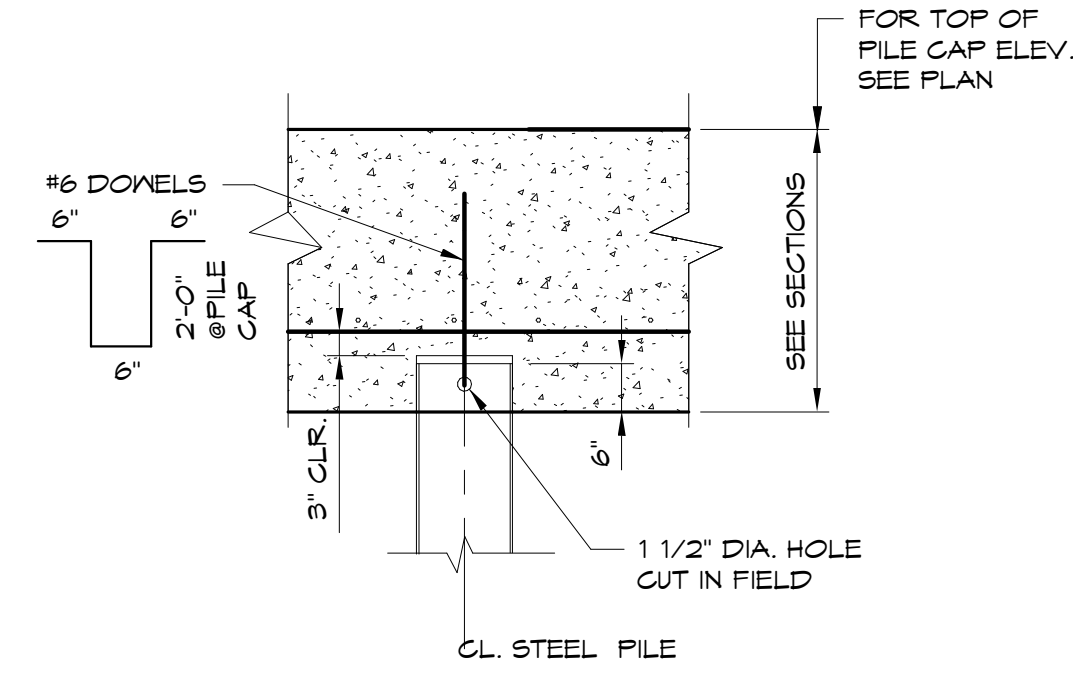
PLAN D=30"  
PILE CAP - PC-2A



PLAN D=30"  
PILE CAP - PC-3



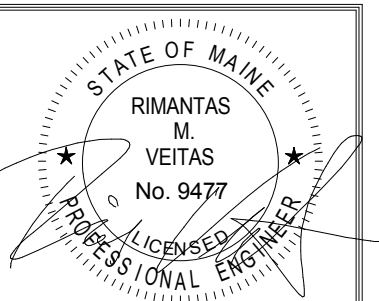
PLAN D=30"  
PILE CAP - PC-4  
1/2"=1'-0"



1 ALTERNATE SECTION AT TOP OF STEEL PILE  
1/2" = 1'-0"

**FOUNDATION NOTES:**

1. FOUNDATIONS SHALL BEAR ON DRIVEN PILES OF 80 TONS CAPACITY. SEE PLANS FOR REQUIRED CAPACITIES.
2. THE CONTRACTOR SHOULD REVIEW THE GEOTECHNICAL REPORT PREPARED BY SUMMIT GEOENGINEERING SERVICES. ANY RECOMMENDATIONS MADE BY THE REPORT SHALL BECOME PART OF THE JOB SPECIFICATIONS.



Prepared For:  
0 Hancock Street  
LLC

Consulting Engineer:  
**VEITAS SVEITAS**  
engineers  
689 Granite Street, Suite 101  
Brunswick, Massachusetts 02148  
TEL: (781) 646-2808 FAX: (781) 646-2005

Architect:  
**ARCHETYPE**  
architects  
48 Union Wharf Portland, Maine 04101  
(207) 772-6022 Fax (207) 772-4056

Project:  
**0 HANCOCK STREET**  
0 HANCOCK STREET  
PORTLAND, MAINE

Revisions:

08-11-17	Issued for Foundation Permit
08-31-17	Permit Set
09-15-17	Steel Bid Set
09-22-17	Pile Bid Set
09-29-17	Concrete Bid Set
10-06-17	Issued for Permit

Date: 08/11/17  
Scale:  
Pile Cap Details

**S305**