

Prepared For:
0 Hancock Street
LLC

Consulting Engineer:
VEITAS ENGINEERS
engineers
689 Granite Street, Suite 101
Brunswick, Massachusetts 02148
TEL: (781) 646-2868 FAX: (781) 646-2865

Architect:
ARCHETYPE architects
48 Union Wharf Portland, Maine 04101
(207) 772-6022 Fax: (207) 772-4056

Project:
0 HANCOCK STREET
0 HANCOCK STREET
PORTLAND, MAINE

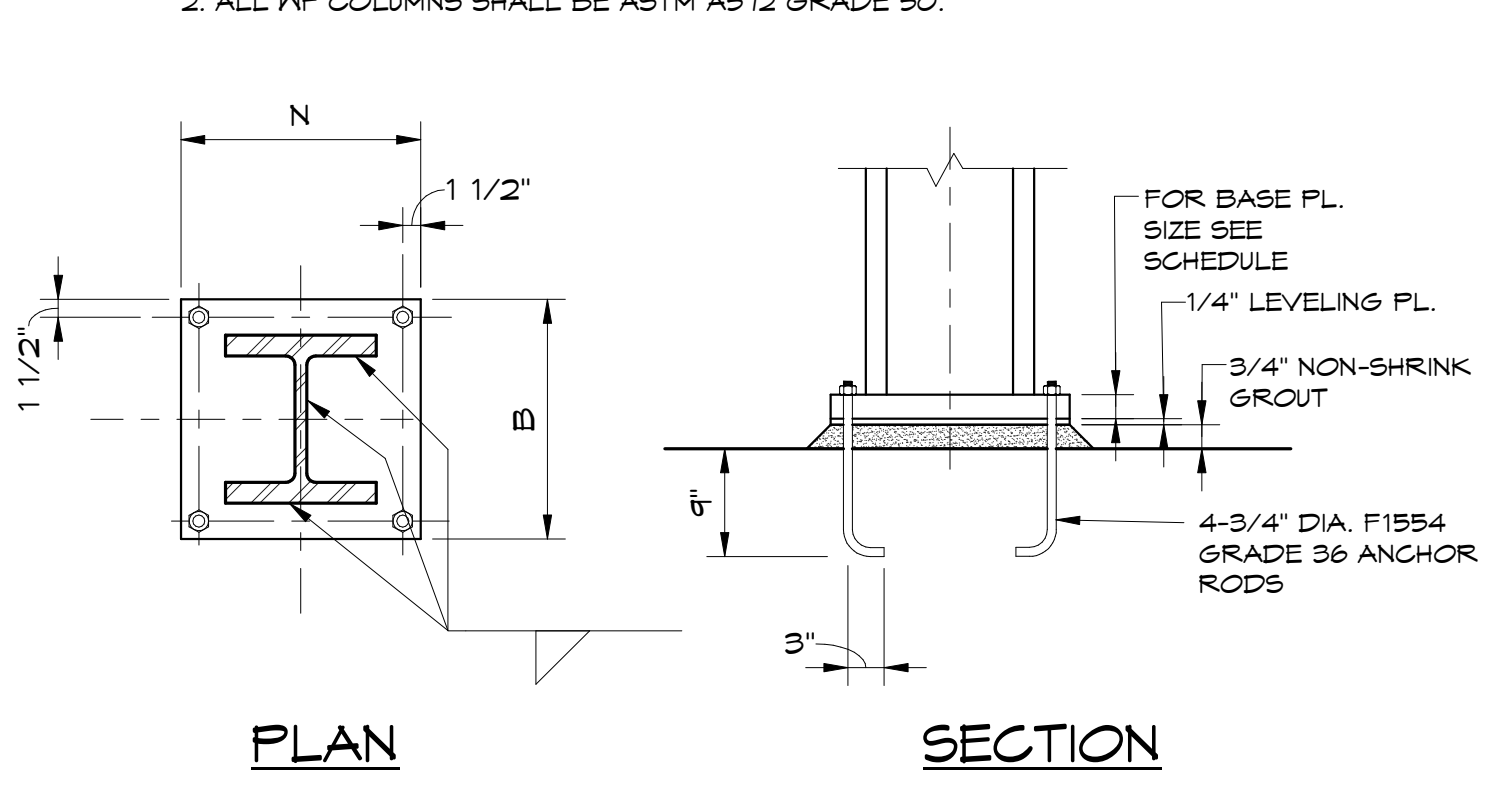
Revisions:
08-11-17 Issued for Foundation Permit
08-31-17 Permit Set
09-15-17 Steel Bid Set
09-22-17 Pile Bid Set
09-29-17 Concrete Bid Set
10-06-17 Issued for Permit

Date: 08/11/17
Scale: Column Schedule & Base Plate Details

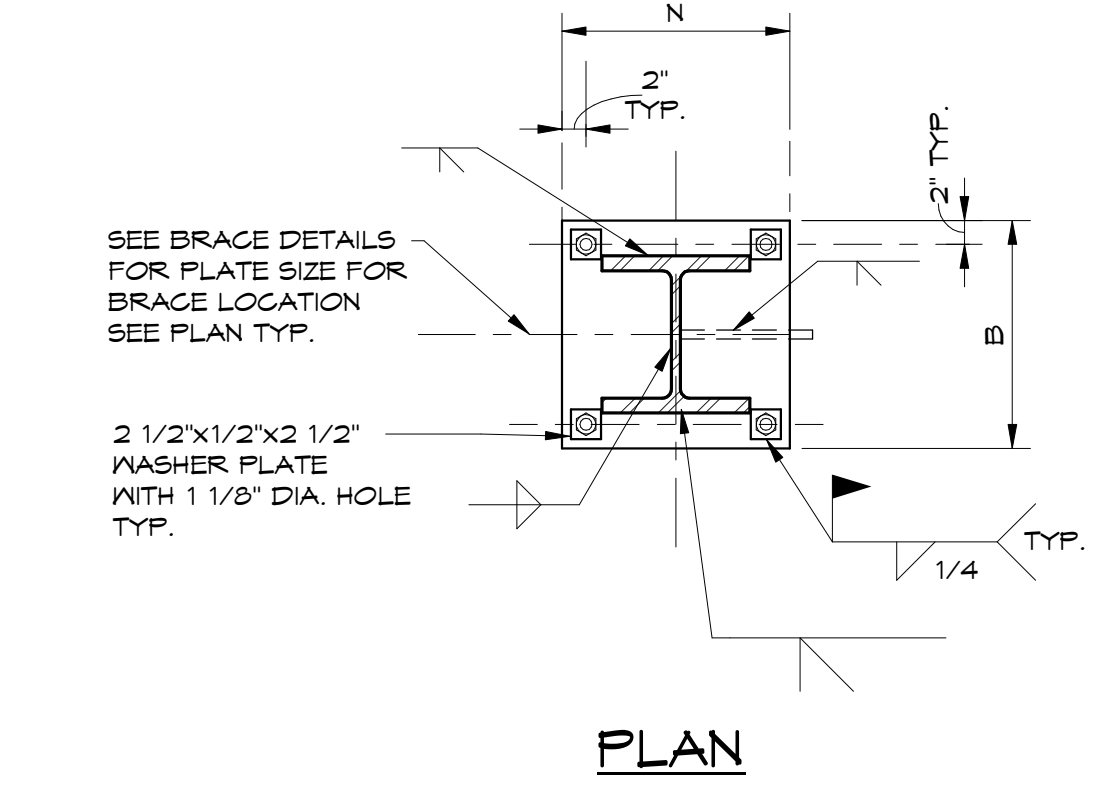
S301

COLUMN SCHEDULE																											
COL. NO.	C1	C2	C3	C4	C5	C6	C7	C8	C9	C10	C11	C12	C13	C14	C15	C16	C17	C18	C19	C20	C21	C22	C23	C24	C25		
LEVEL																											
HIGH ROOF (EL. VARIES)																											HIGH ROOF (EL. VARIES)
FIFTH	M10x93	M10x44	M10x54	M10x69																							FIFTH
FOURTH					M10x93		M10x93	M10x93	M10x93	M10x93	M10x93	M10x93	M10x93	M10x93	M10x93	M10x93	M10x93	M10x93	M10x93	M10x93	M10x93	M10x93	M10x93	M10x93	M10x93	M10x93	FOURTH
THIRD																											THIRD
SECOND						M10x93																					SECOND
GROUND																											GROUND
BASE PL. TYPE	D	D	D	D	D	A	C	B	C	A	A	A	A	A	A	A	B	B	B	B	B	B	B	B	B	A	
BASE PL. SIZE "N" x "L" x "B"	12" x 1" x 1-5"	12" x 1" x 1-5"	12" x 1" x 1-5"	12" x 1" x 1-5"	12" x 1 1/4" x 1-5"	9" x 1 1/4" x 1-5"	12" x 1 1/2" x 1-4"	12" x 1 3/4" x 1-5"	12" x 1 1/2" x 1-4"	13" x 1 1/2" x 1-5"	9" x 1 1/2" x 1-5"	13" x 1 1/2" x 1-5"	11" x 1 1/2" x 1-5"	12" x 1 1/2" x 1-5"	15" x 1 1/2" x 1-5"	19" x 2 1/4" x 1-7"	13" x 1 1/2" x 1-4"	13" x 1 3/4" x 1-4"	13" x 1 1/2" x 1-4"	13" x 1 3/4" x 1-4"	13" x 1 3/4" x 1-4"	13" x 1 3/4" x 1-4"	13" x 1 3/4" x 1-4"	13" x 1 3/4" x 1-4"	13" x 1 3/4" x 1-4"	9" x 1 1/4" x 1-5"	

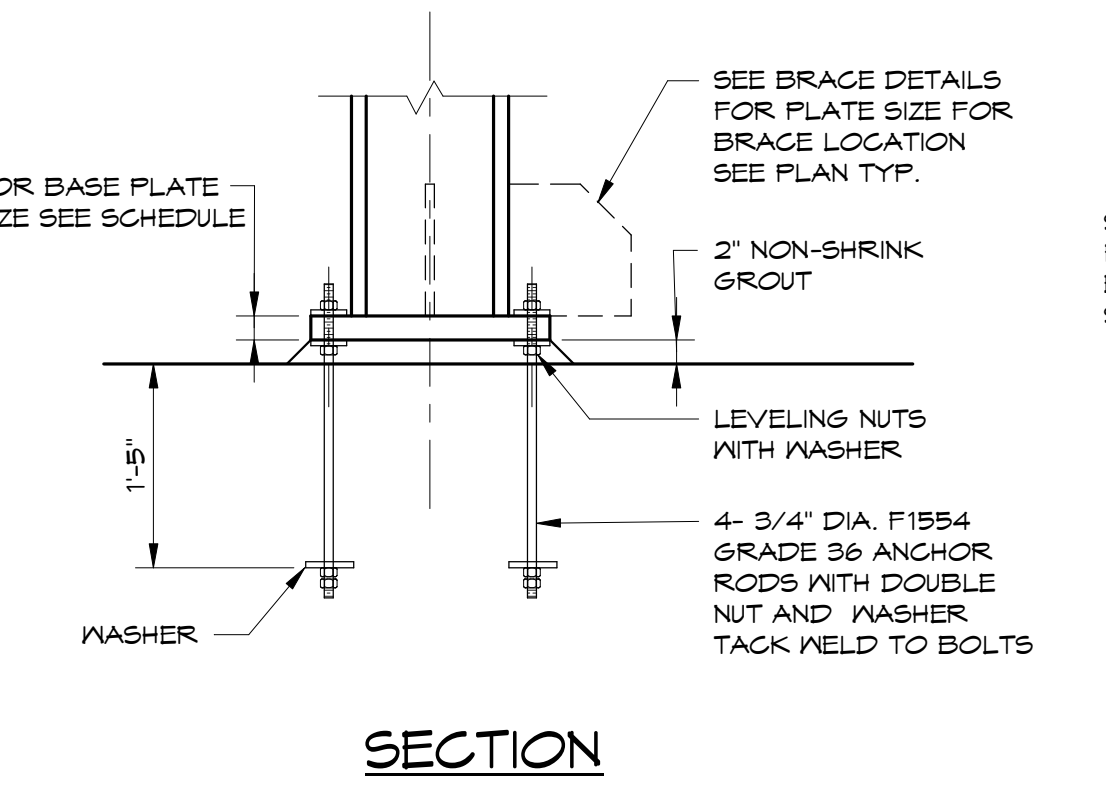
COLUMN SCHEDULE NOTES:
1. ALL HSB COLUMNS SHALL BE ASTM A500 GRADE B.
2. ALL MF COLUMNS SHALL BE ASTM A572 GRADE 50.



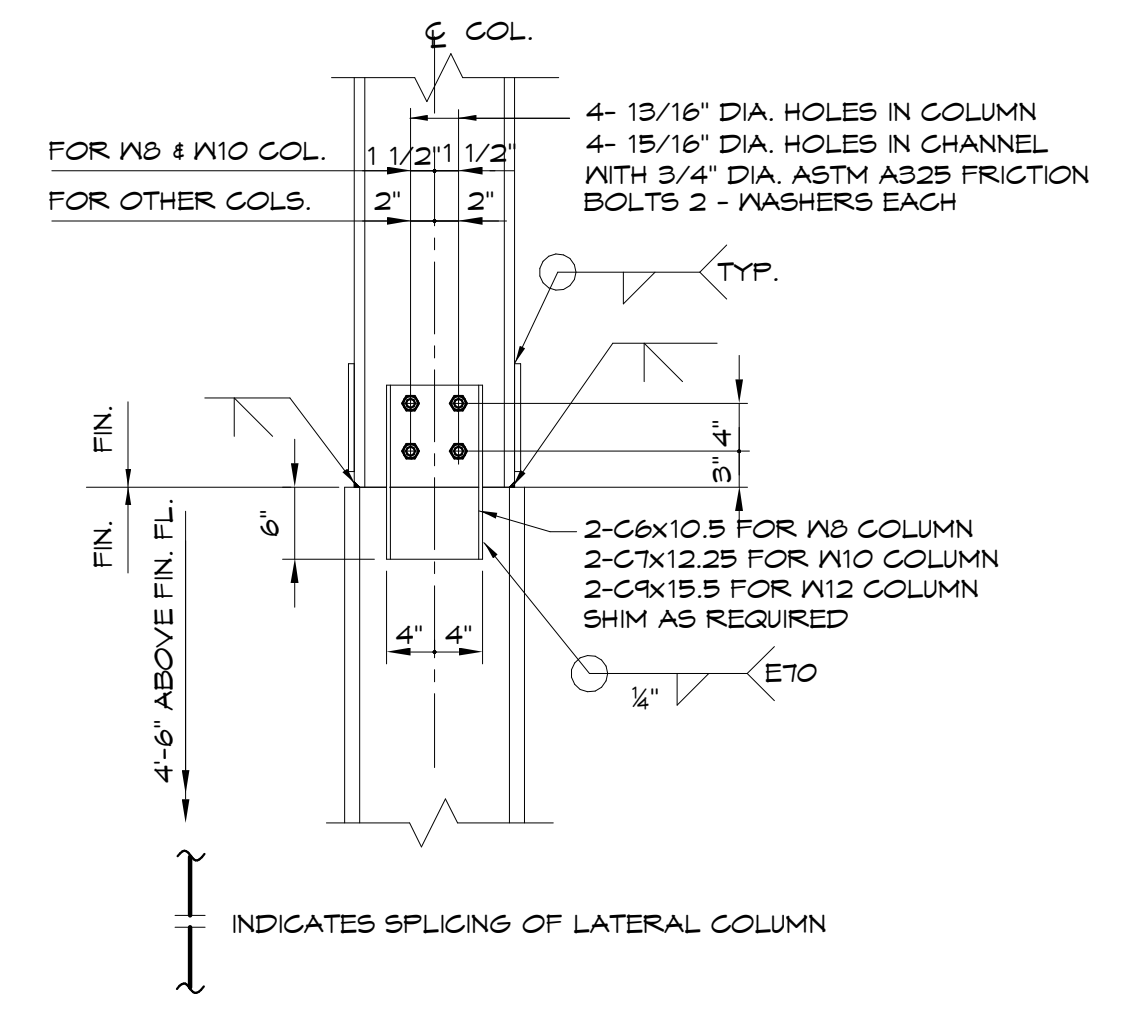
BASE PLATE TYPE - A



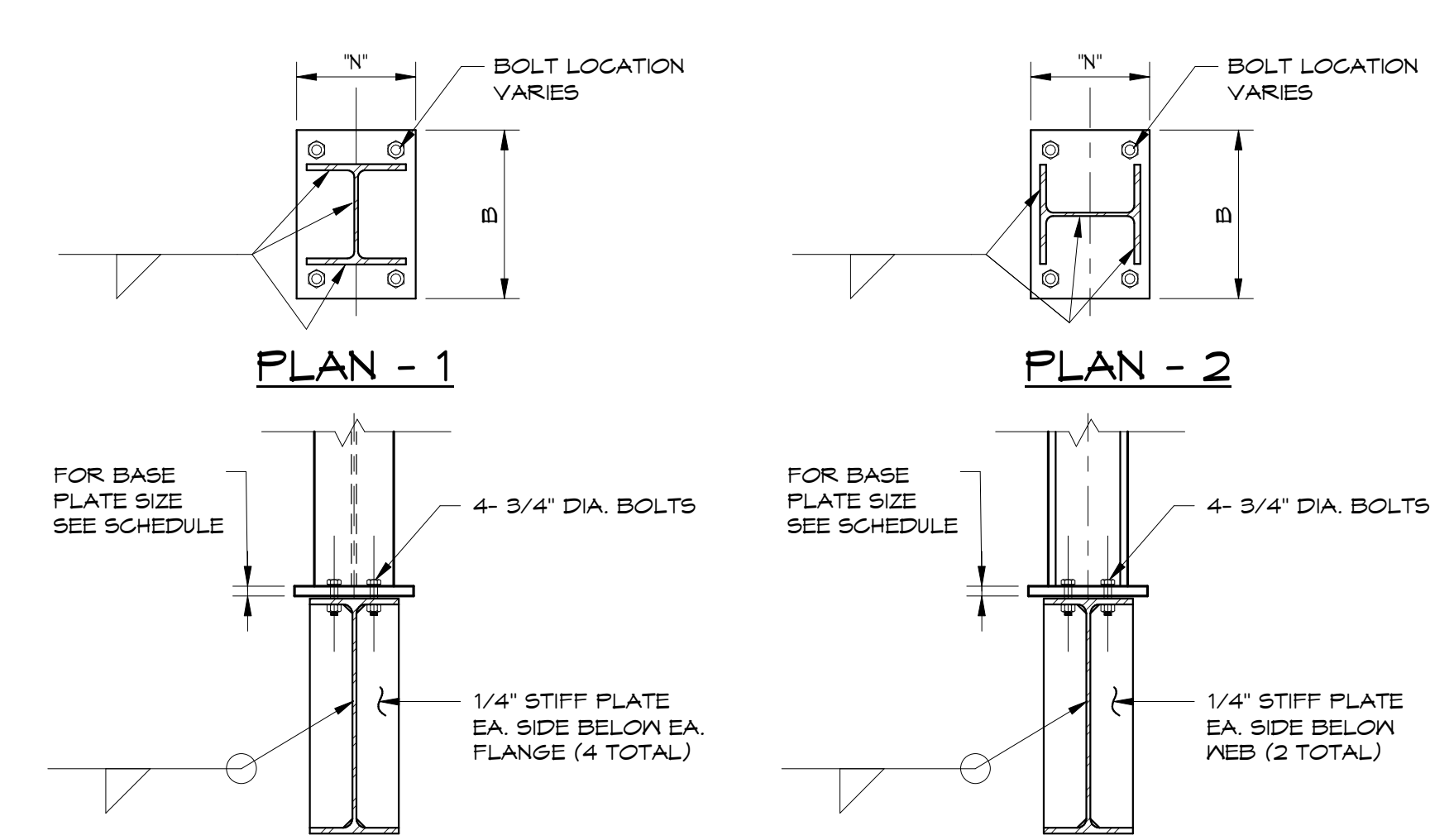
BASE PLATE TYPE - B



BASE PLATE TYPE - C



BRACE AND MOMENT FRAME COLUMN SPLICE DETAIL



BASE PLATE TYPE - D

1 3/4" = 1'-0"