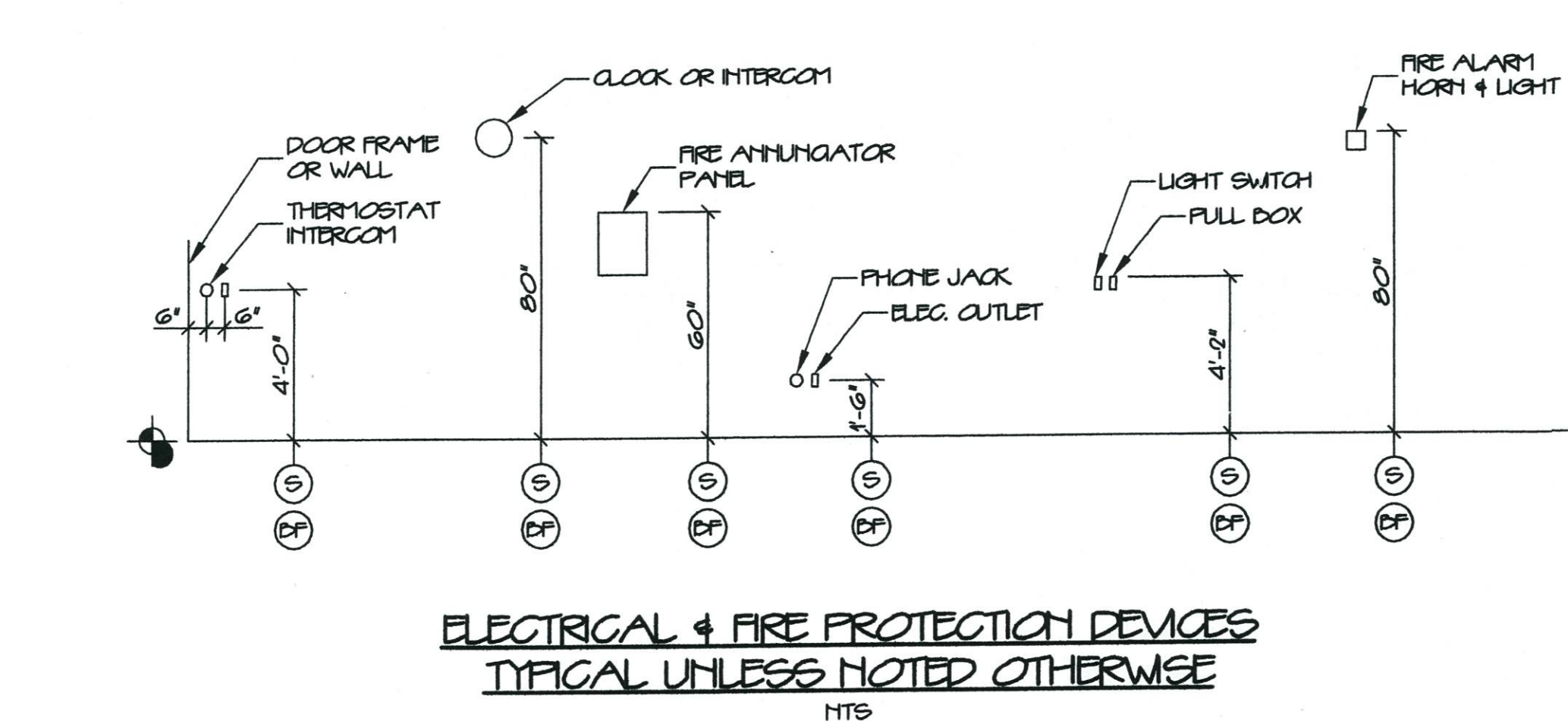
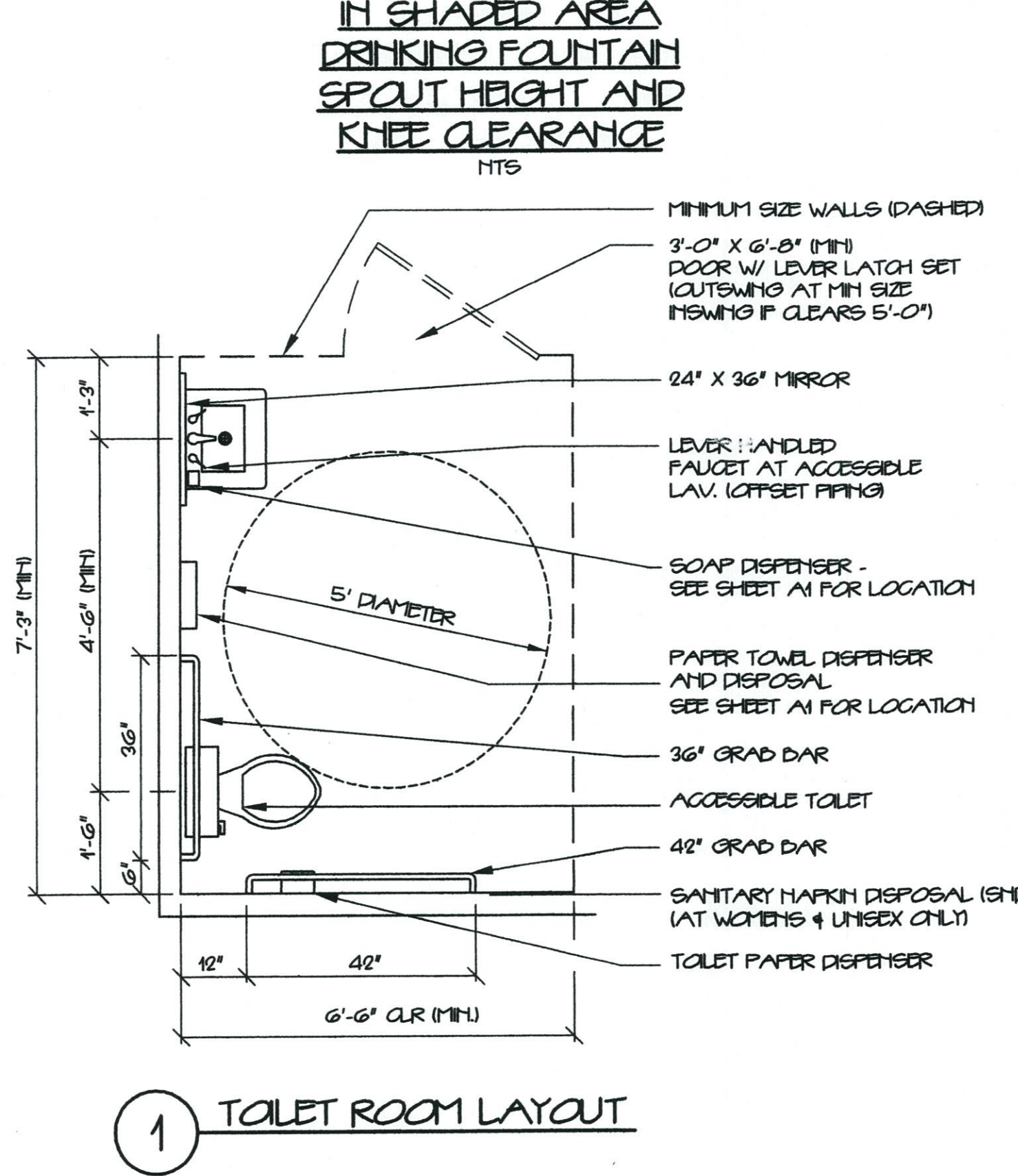
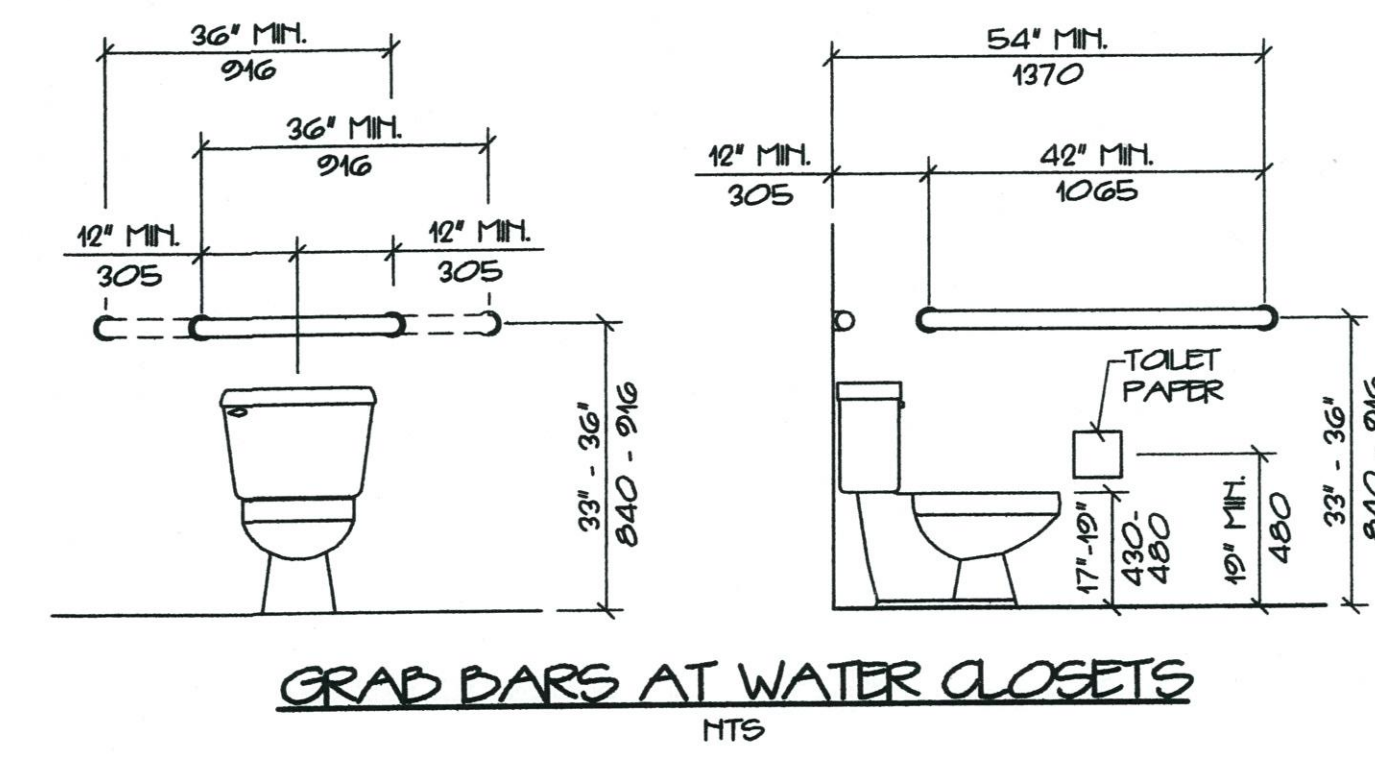
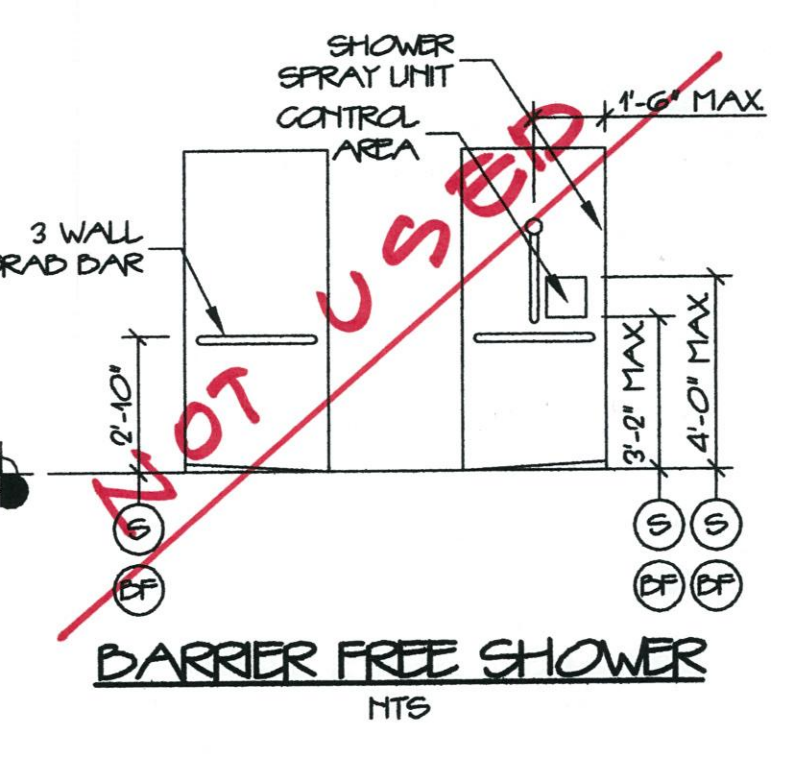
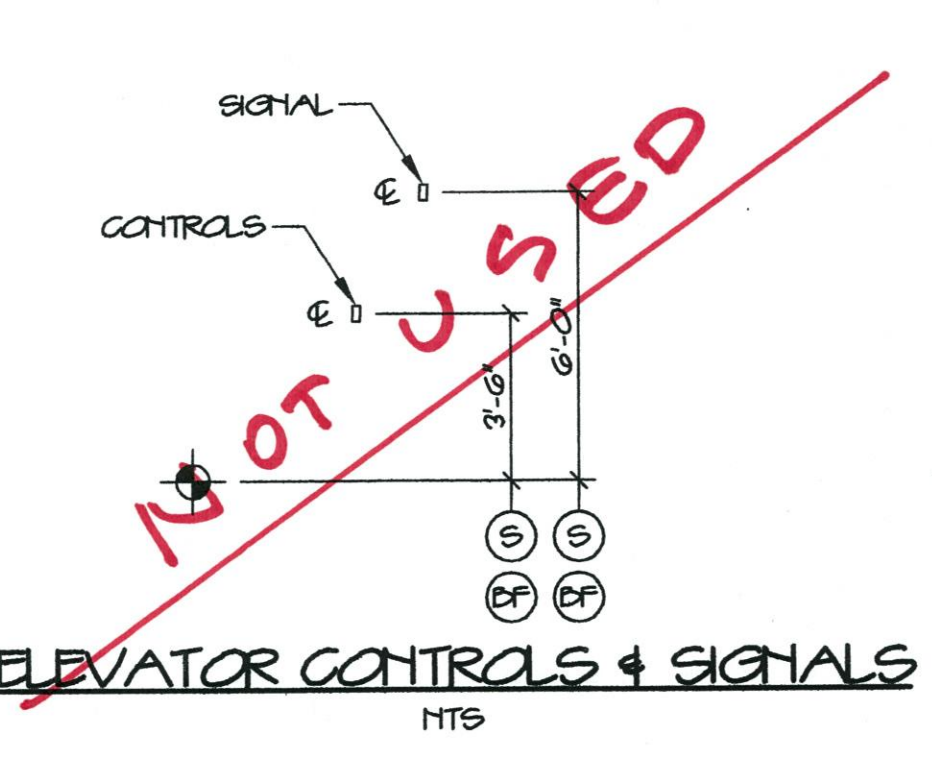
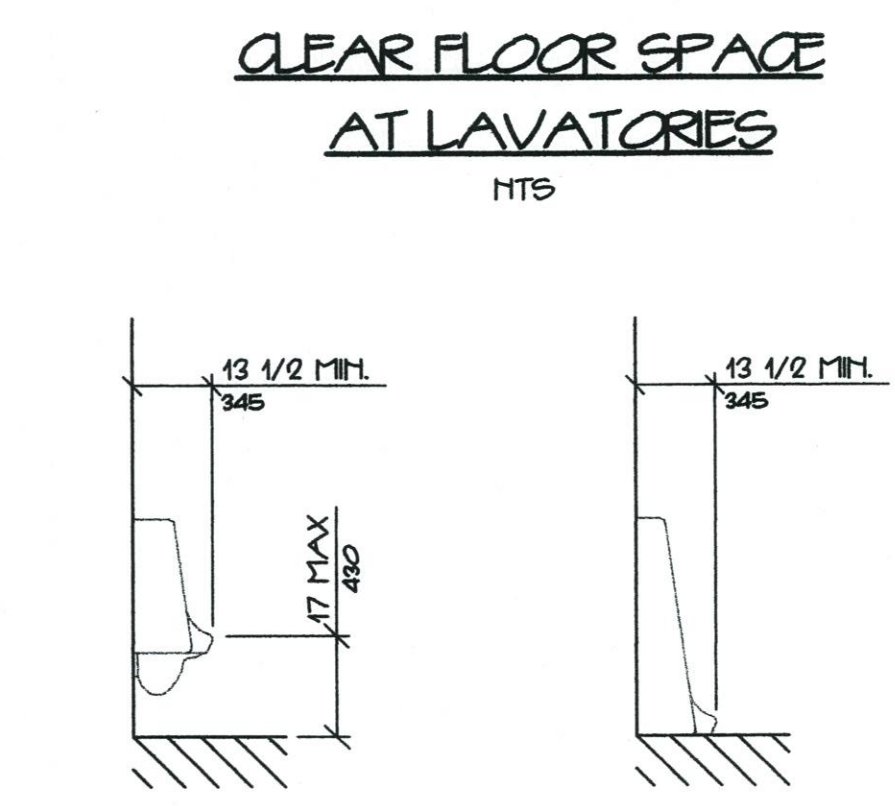
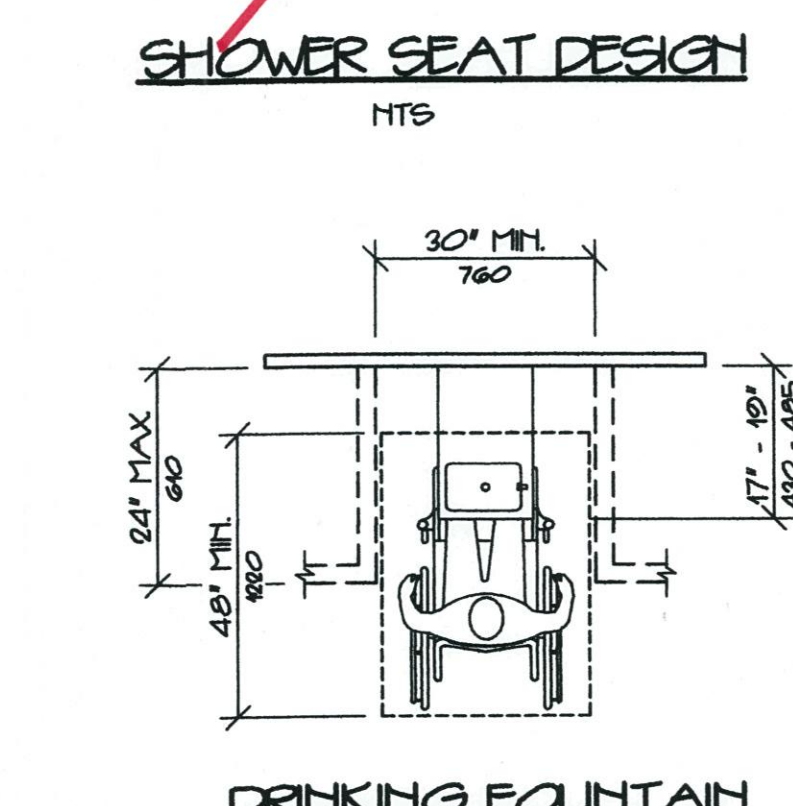
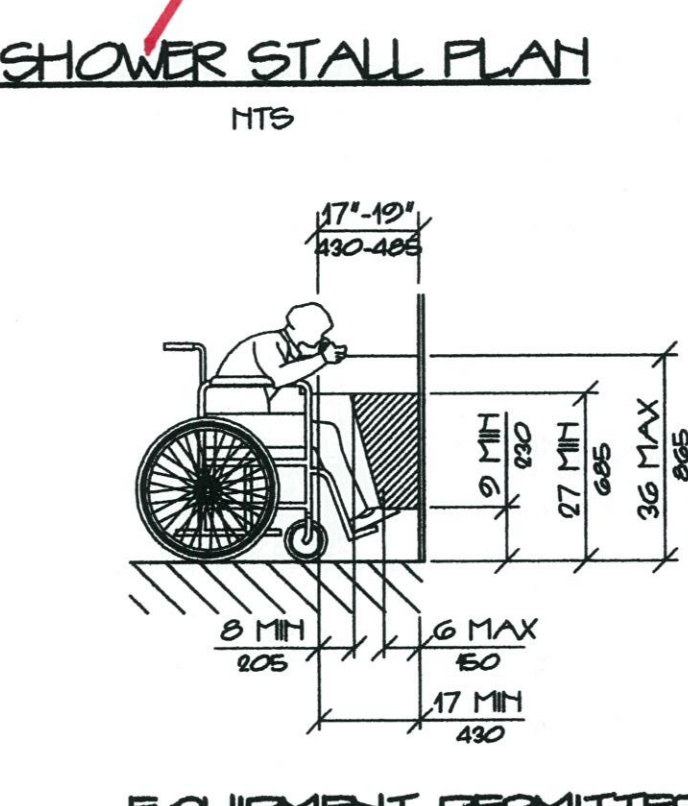
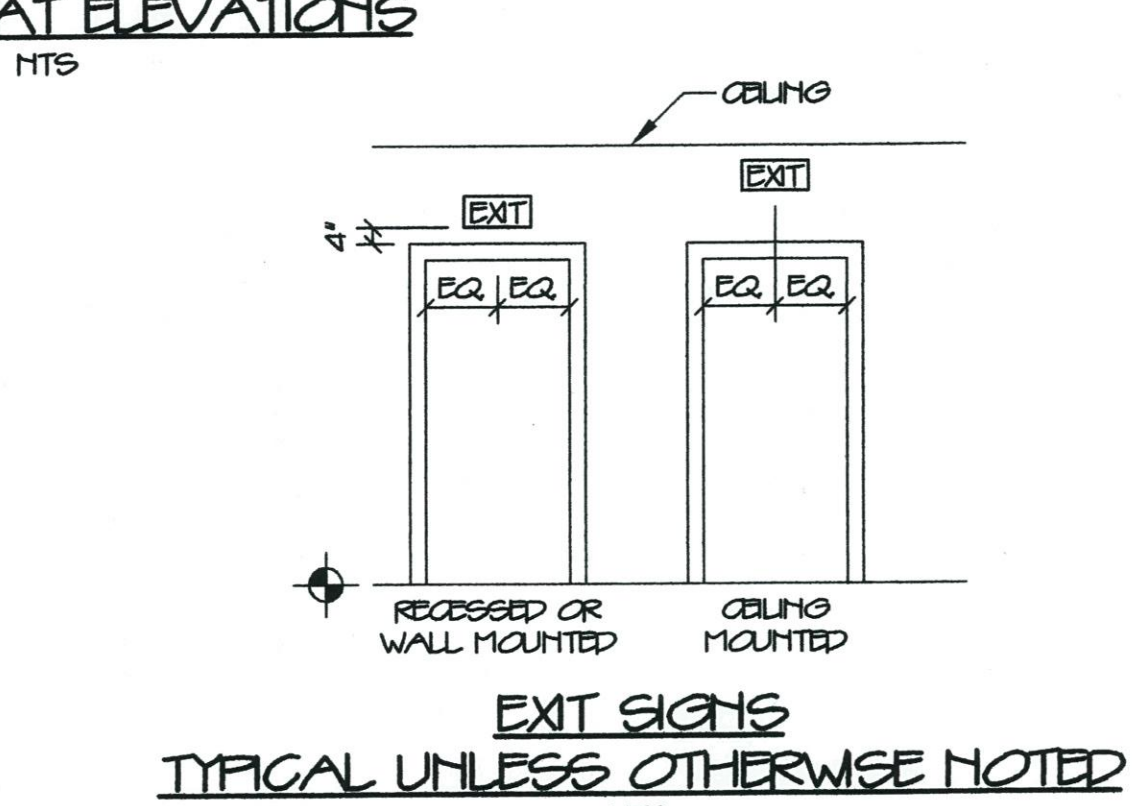
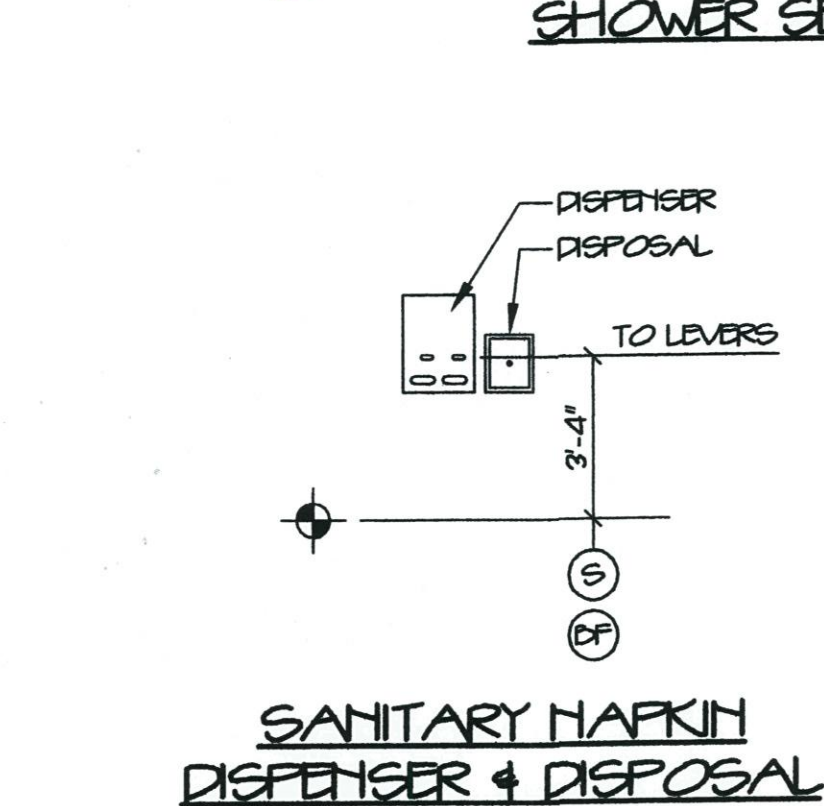
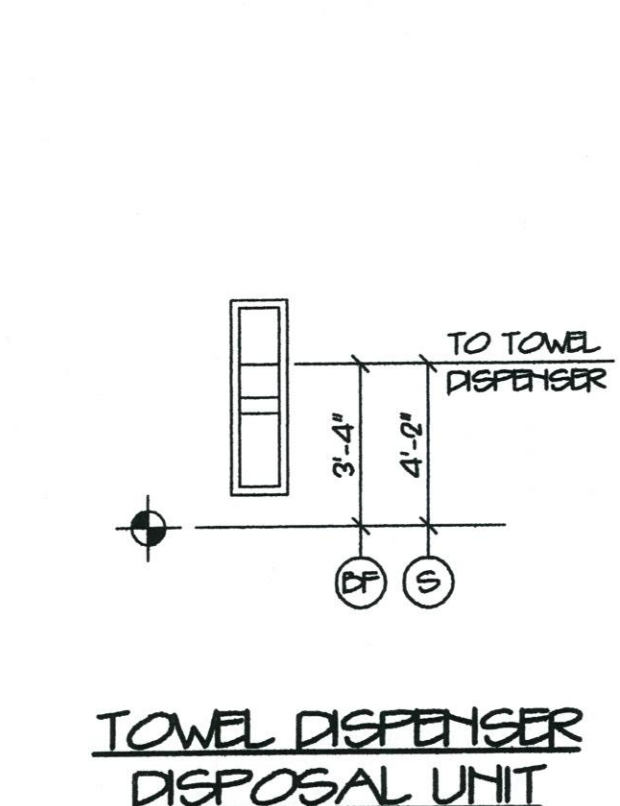
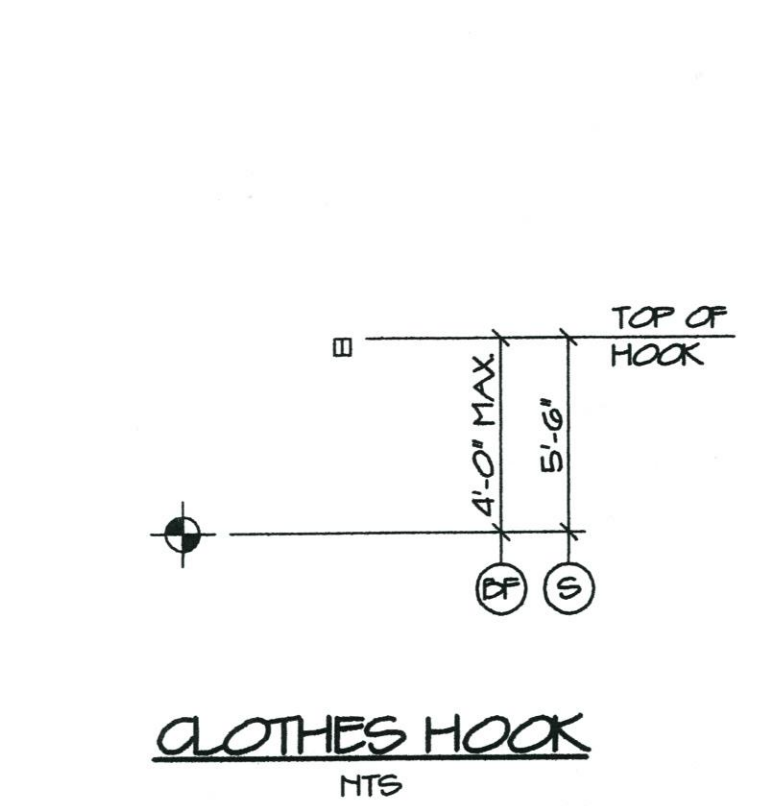
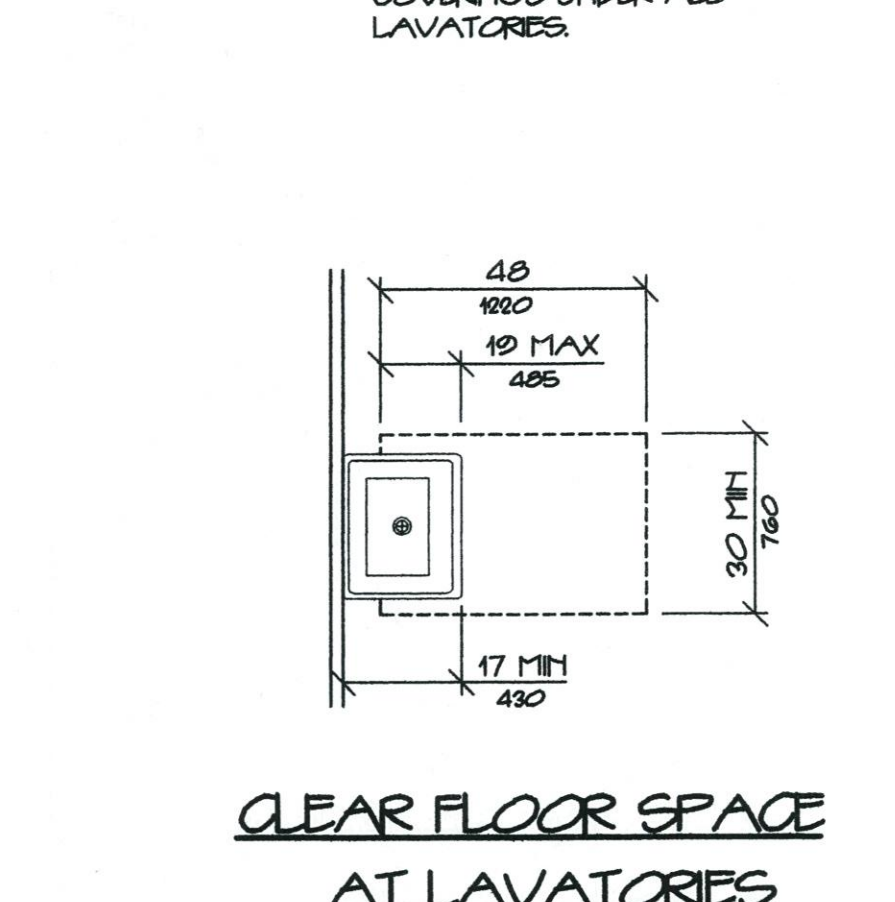
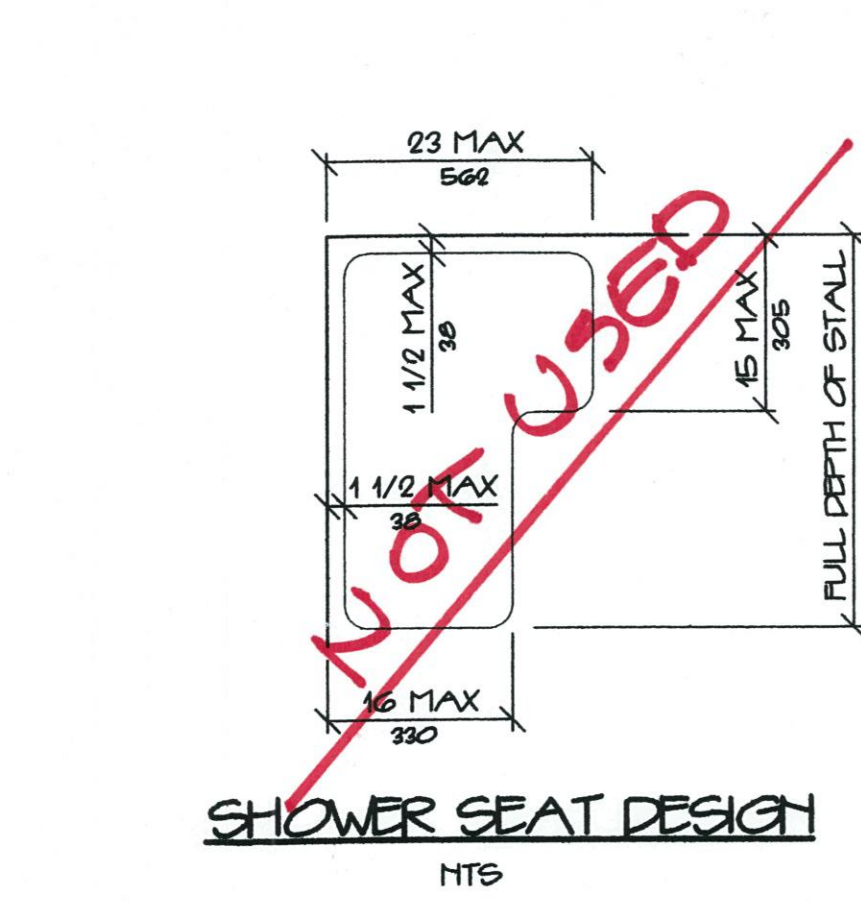
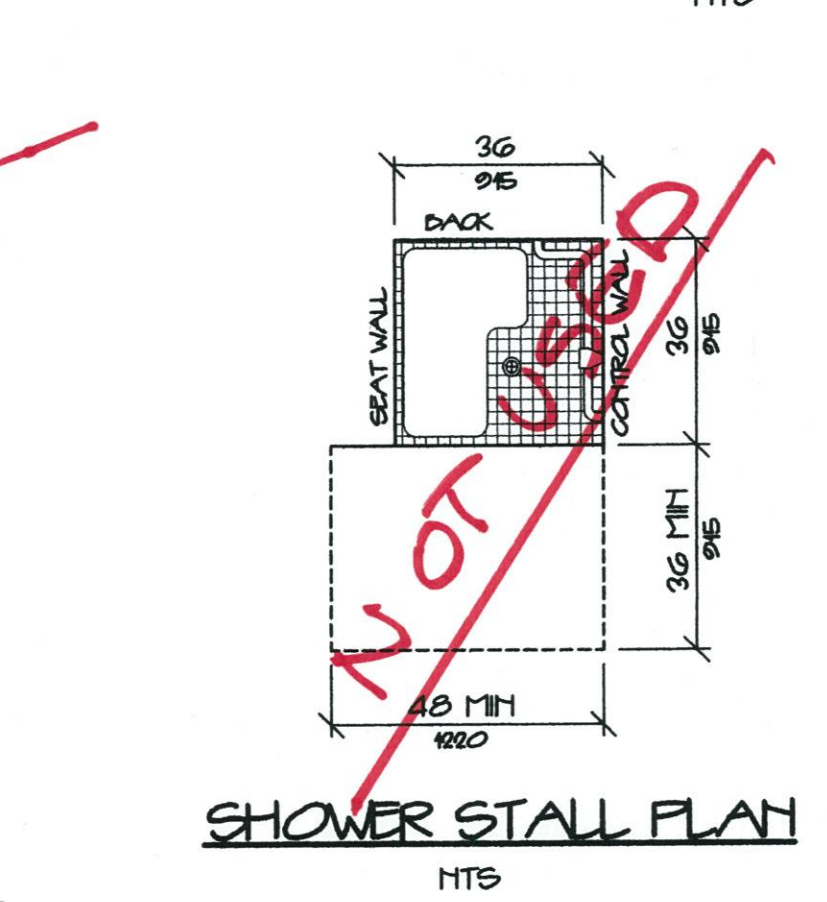
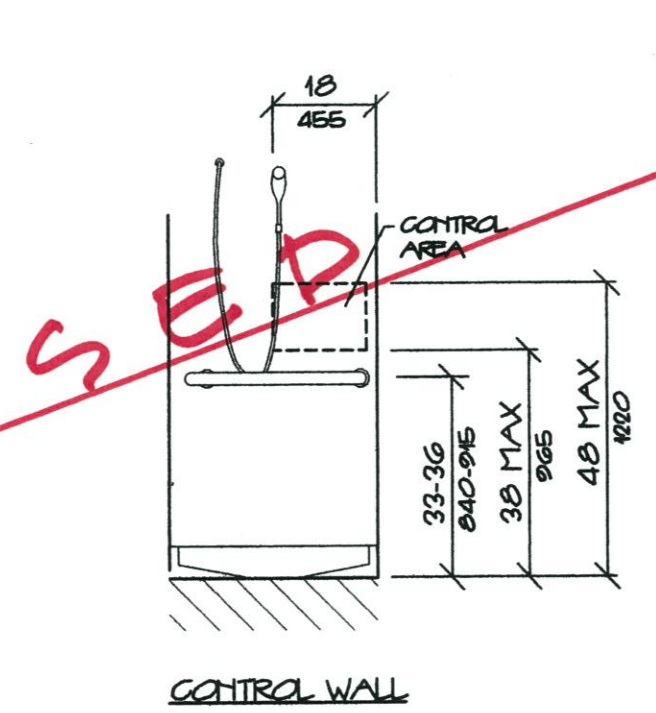
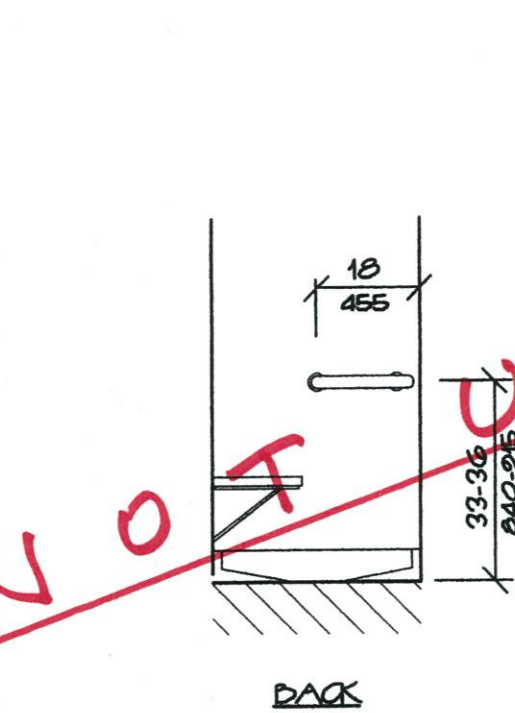
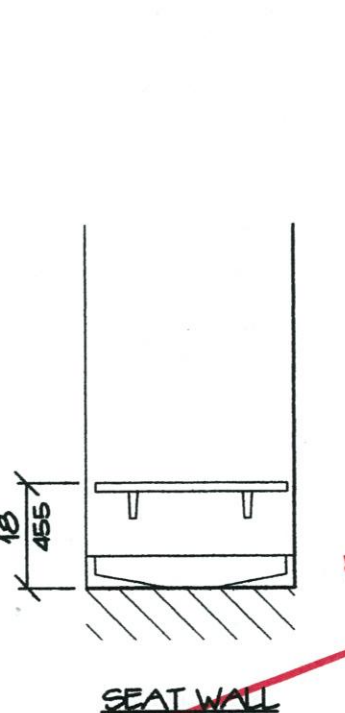
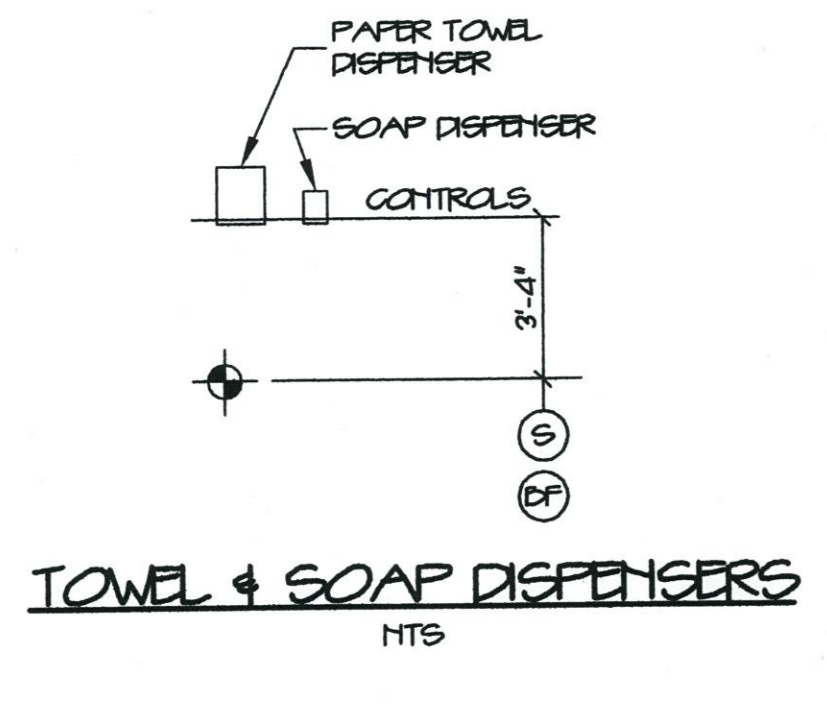
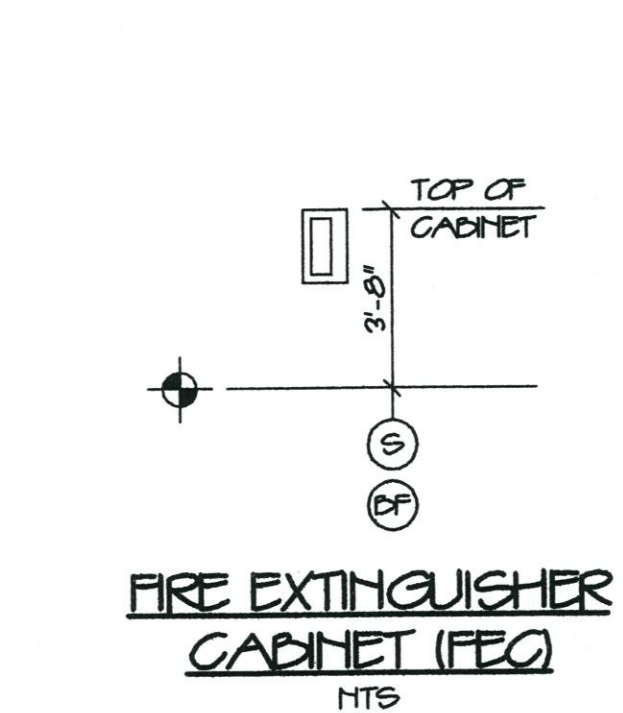
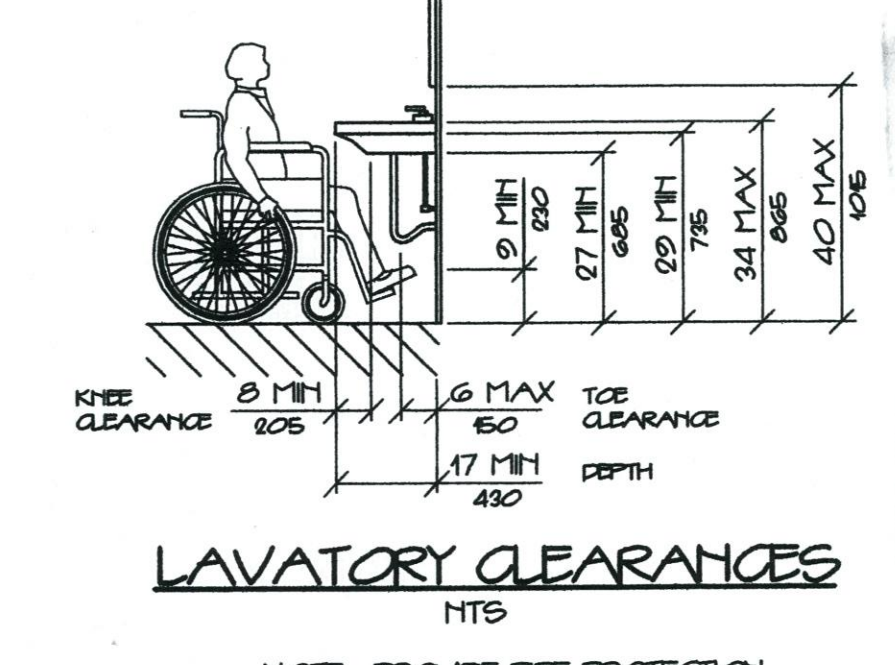
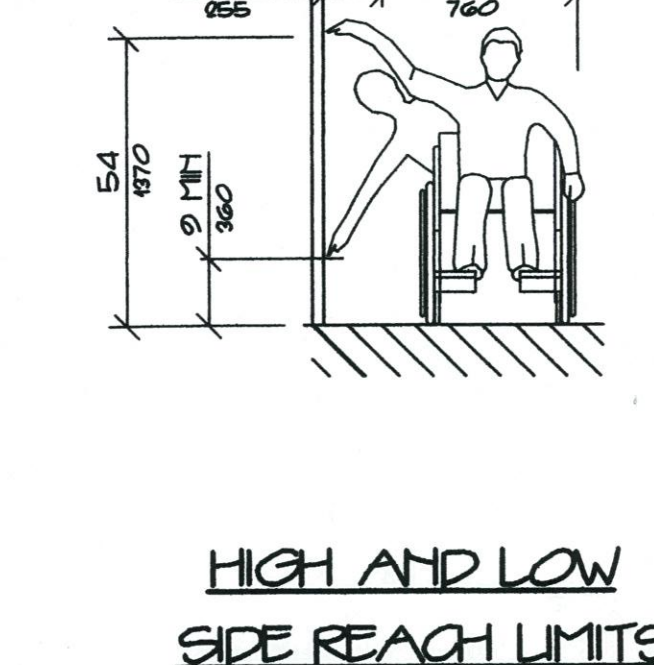
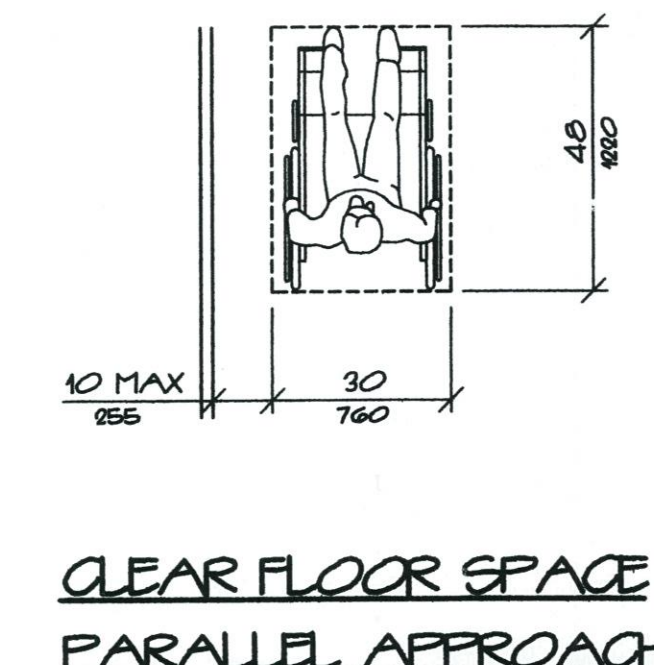
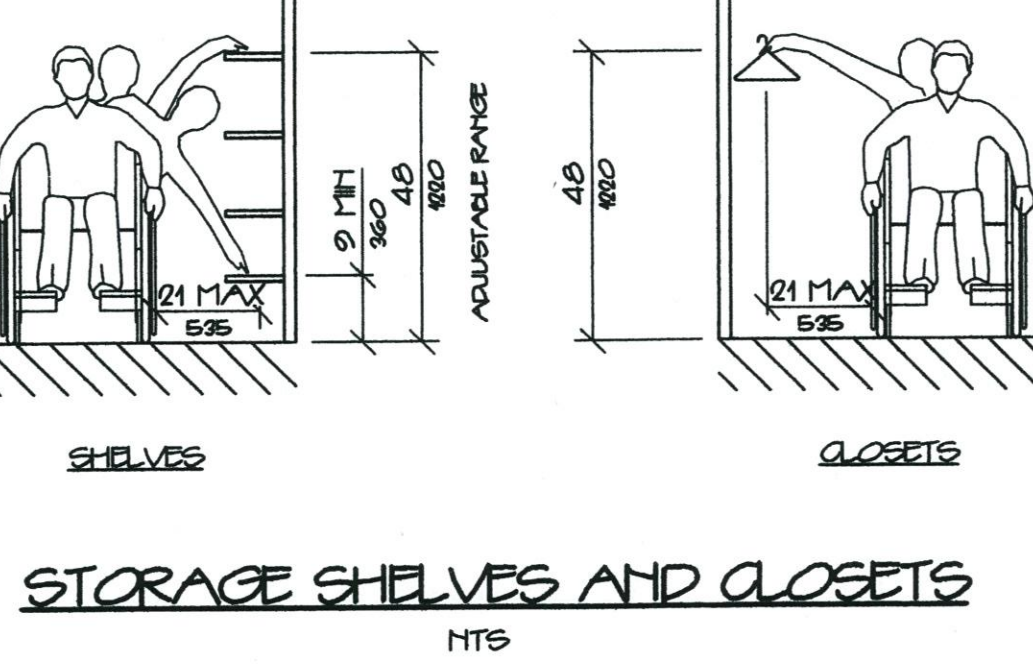
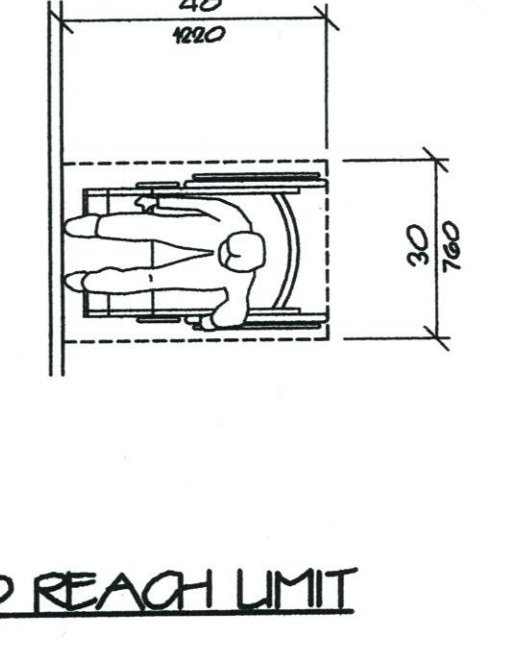
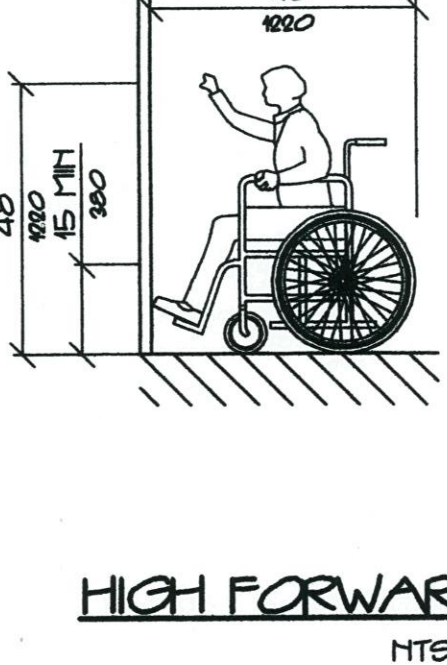
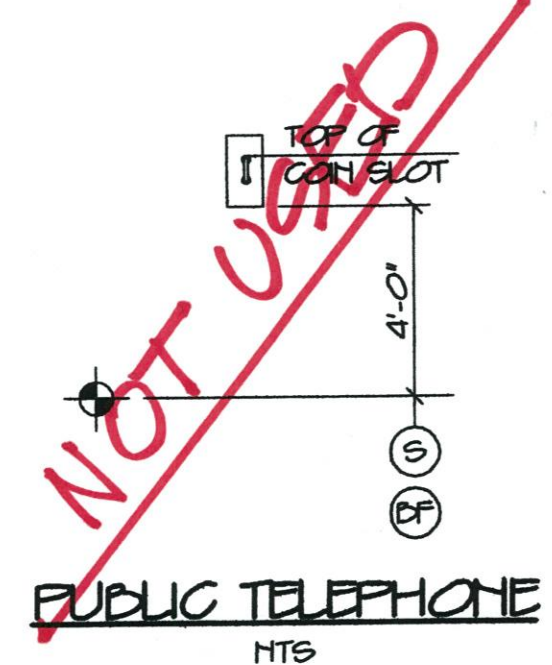
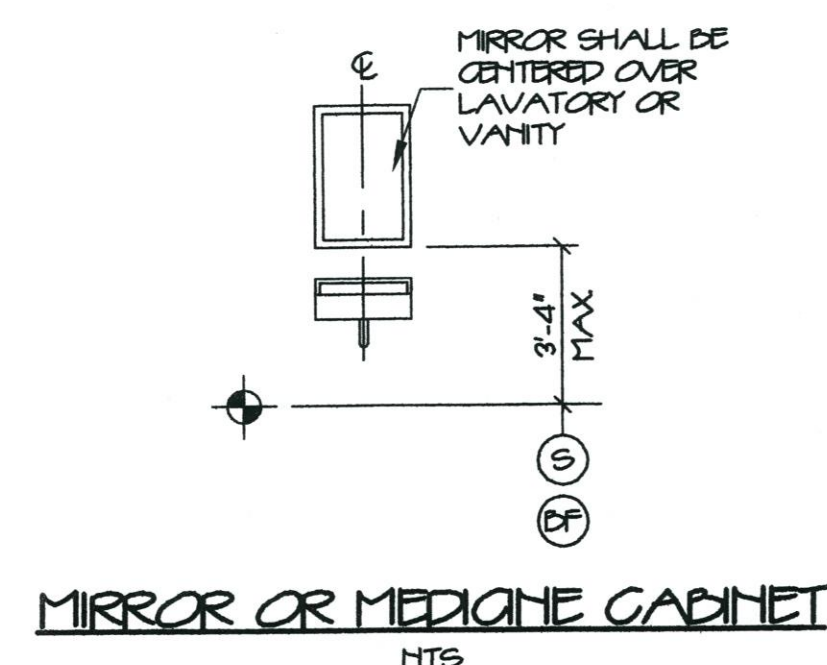


ADA WOMEN'S & MEN'S TOILETS PLAN
1/4" = 1'-0"



LEGEND

- ⊙ STANDARD MOUNTING HEIGHT
- ⊙ BARRIER FREE ADULT MOUNTING HEIGHT
- ⊙ FINISH FLOOR LINE

NOTE

MOUNT ALL FIXTURES AT STANDARD MOUNTING HEIGHT UNLESS INDICATED ON PLAN BY A ⊙ SYMBOL. A ⊙ SYMBOL AT ANY ROOM SHALL INCLUDE ONE OF ANY FIXTURE AND ACCESSORY WITHIN THE ROOM.

ACCESSIBILITY ACCESSORY MOUNTING HEIGHTS

GRAB BARS	33" - 36"
TOILET PAPER HOLDER	48" MIN
TOWEL DRY/PAPER TOWEL DISPENSER	48" MAX
BUILT IN PAPER TOWEL DISPENSER	48" MAX
SOAP DISH/Dispenser AT WALL	48" MAX
SANITARY NAPKIN DISPENSER	48" MAX
SANITARY NAPKIN DISPOSAL	48" MAX
MIRROR (BOTTOM)	40" MAX
SHELVES/STORAGE	48" MAX
ELECTRICAL SWITCHES/OUTLETS	48" MAX
COAT HOOKS/RACKS	48" MAX
SIGNAGE (TO DRILLE COMPONENT)	60" MAX

ACCESSIBILITY GENERAL NOTES

1. DOORWAYS SHALL HAVE A MINIMUM CLEAR WIDTH OF 32" WITH THE DOOR OPEN 90 DEGREES, MEASURED BETWEEN THE FACE OF THE DOOR AND THE OPPOSITE STOP.
2. ALL DOORS SHALL HAVE LEVER HANDLE HARDWARE, EXCEPT AT SECURED STORAGE ROOMS, MECHANICAL ROOMS, AND ELEVATOR MACHINE ROOMS.
3. ALL CLOSERS SHALL BE SLD FULL MAXIMUM AT DOORS EQUIPPED WITH LEVER HANDLE HARDWARE.
4. ALL DOORS WITH CLOSERS SHALL HAVE 48" CLEAR DISTANCE FROM THE LATCH SIDE OF THE OPENING TO ANY ADJACENT WALL OR OBSTRUCTION ON THE FULL SIDE OF THE OPENING.
5. ALL DOORS WITH CLOSERS SHALL HAVE 12" CLEAR DISTANCE FROM THE LATCH SIDE OF THE OPENING TO ANY ADJACENT WALL OR OBSTRUCTION ON THE PUSH SIDE OF THE OPENING.
6. ALL SIGNAGE SHALL BE MOUNTED 60" AFF TO DRILLE COMPONENT AT LATCH SIDE WALL OF DOORS AND OPENINGS.