

DEPARTMENT OF
 VETERAN AFFAIRS - PORTLAND
 PORTLAND, MAINE

ISSUE FOR CONSTRUCTION
 9-01-10

CURRENT ISSUE STATUS:

REV	DESCRIPTION	DATE
0	ISSUED FOR CONSTRUCTION	9-01-10

GRAPHIC SCALE:
 0" 1"

SCALE: AS NOTED

PROJECT MANAGER: DRL

JC/DRAWN BY: AFP

A/E OF RECORD: MAC

CAD FILE: SF502-10022

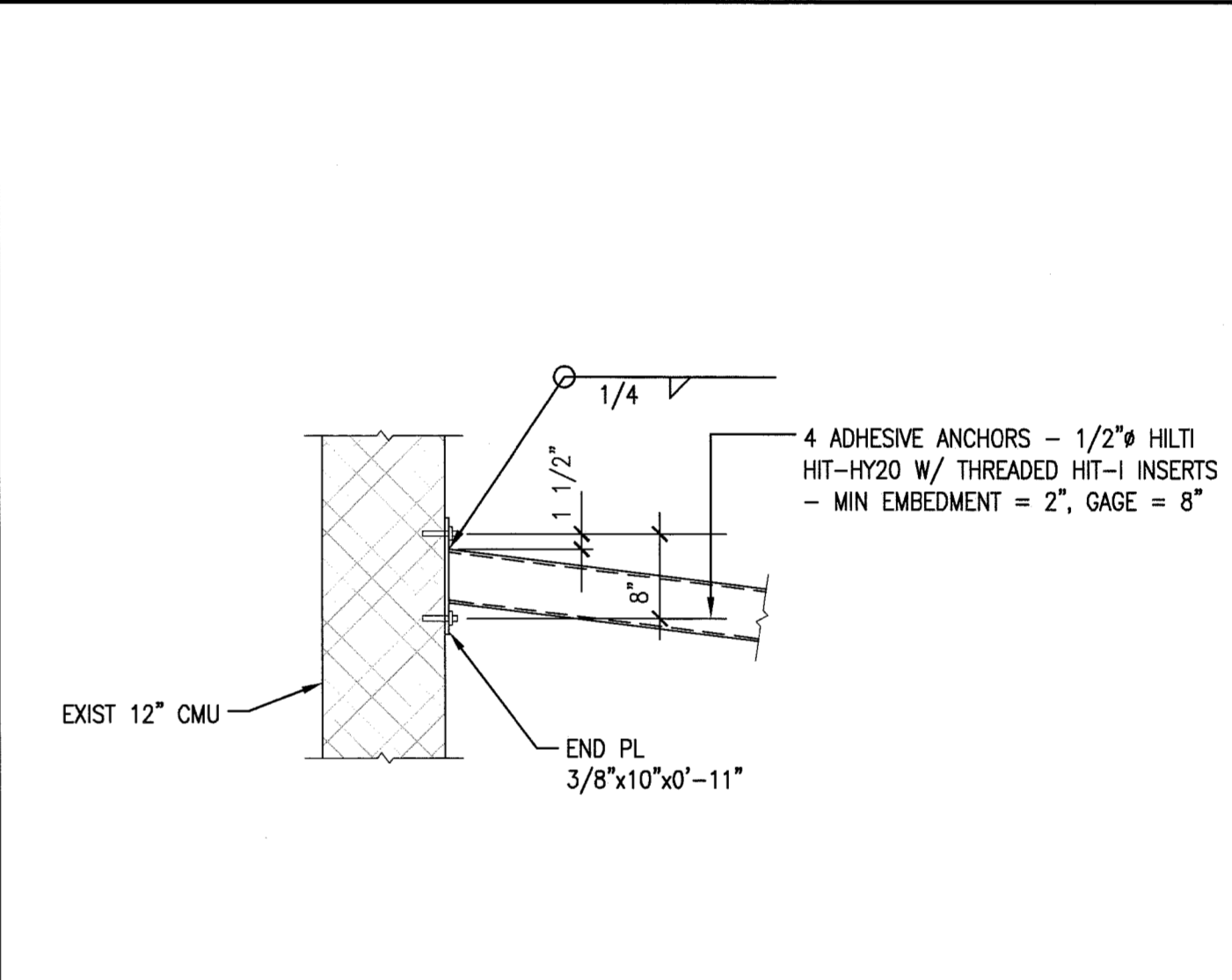
PROJECT NO: 10022

DATE:

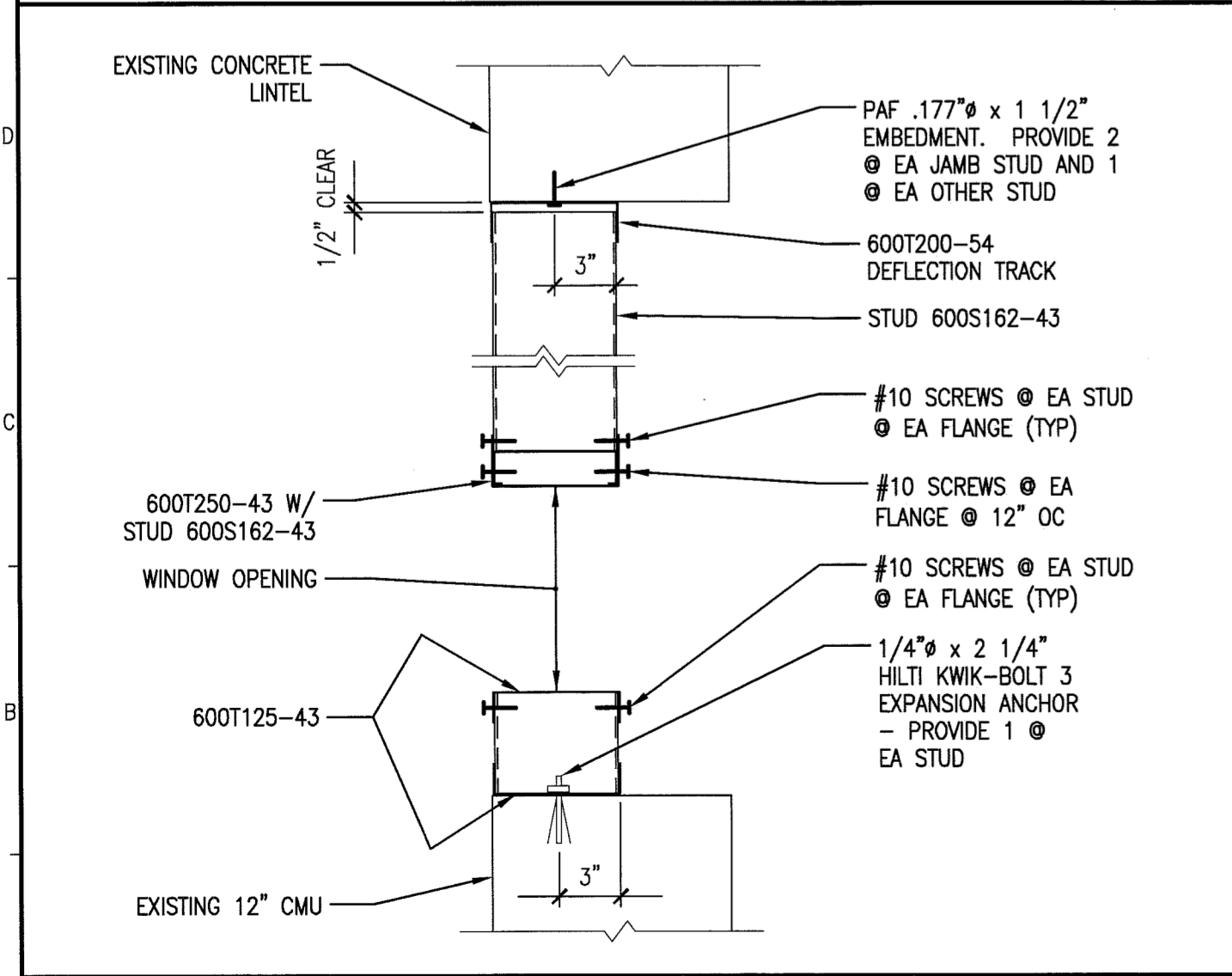
SHEET TITLE:
 FRAMING
 SECTIONS AND
 DETAILS

SHEET No. **SF502**

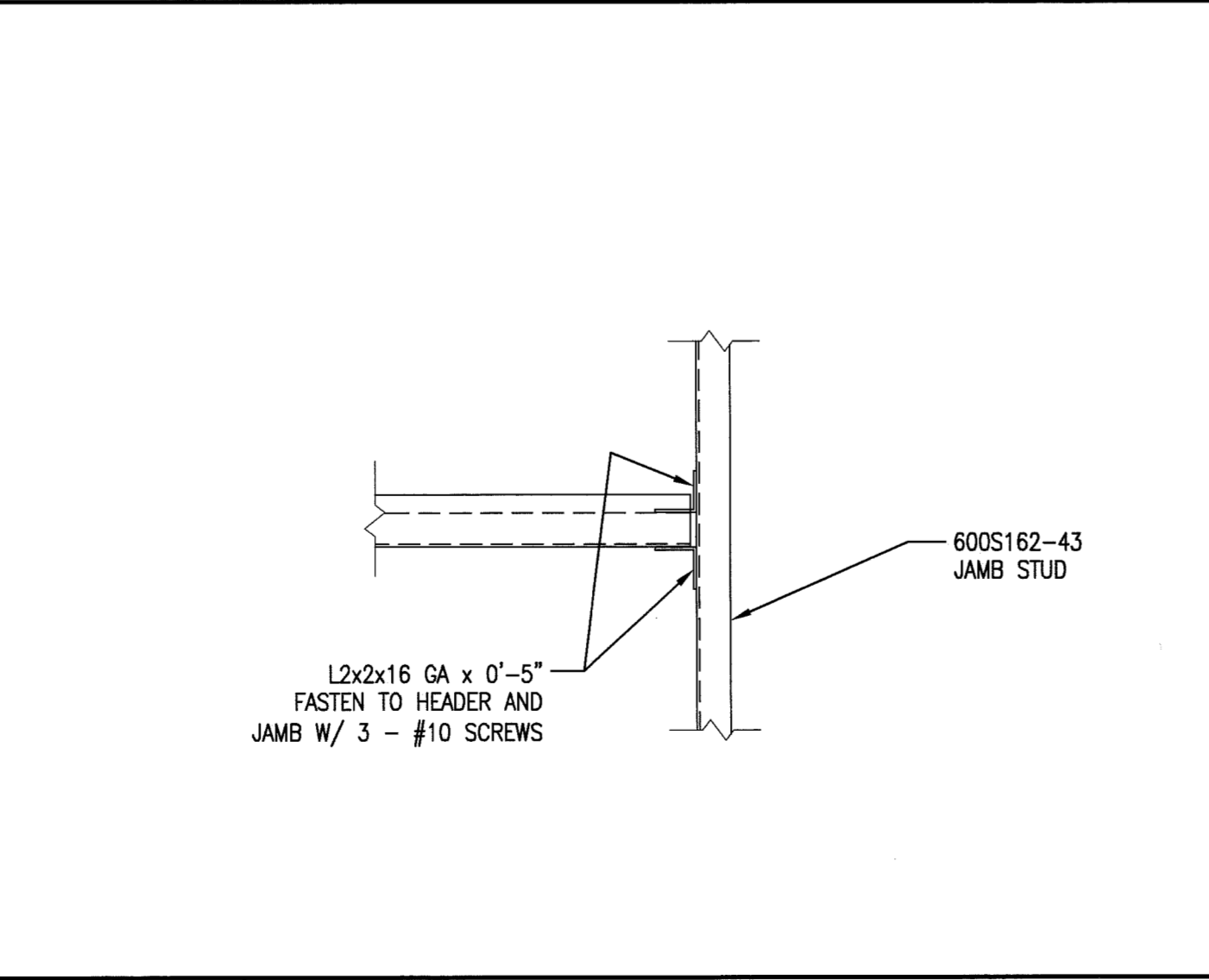
© COPYRIGHT 2009 SMART INC.



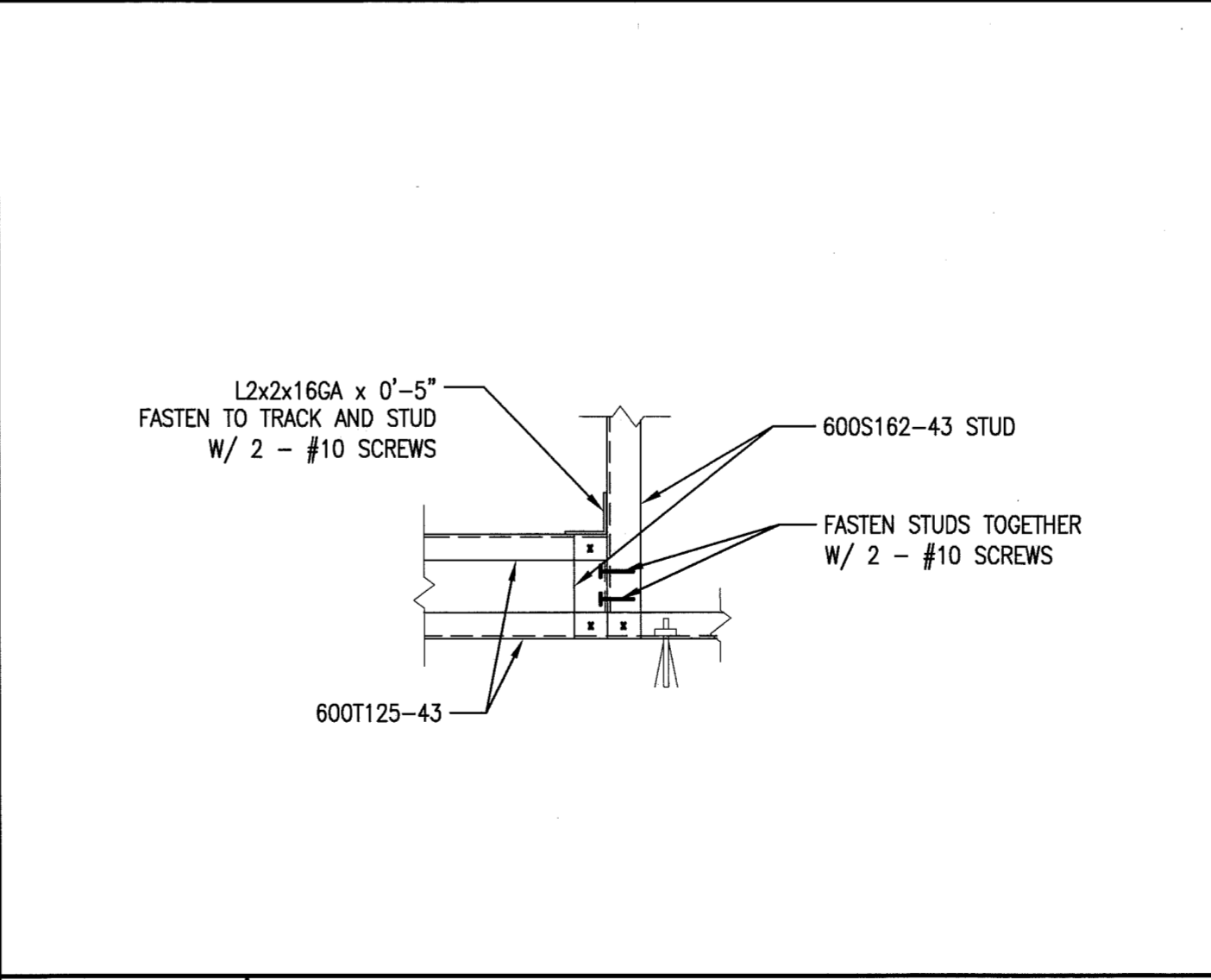
E12 SECTION
 3/4"=1'-0"



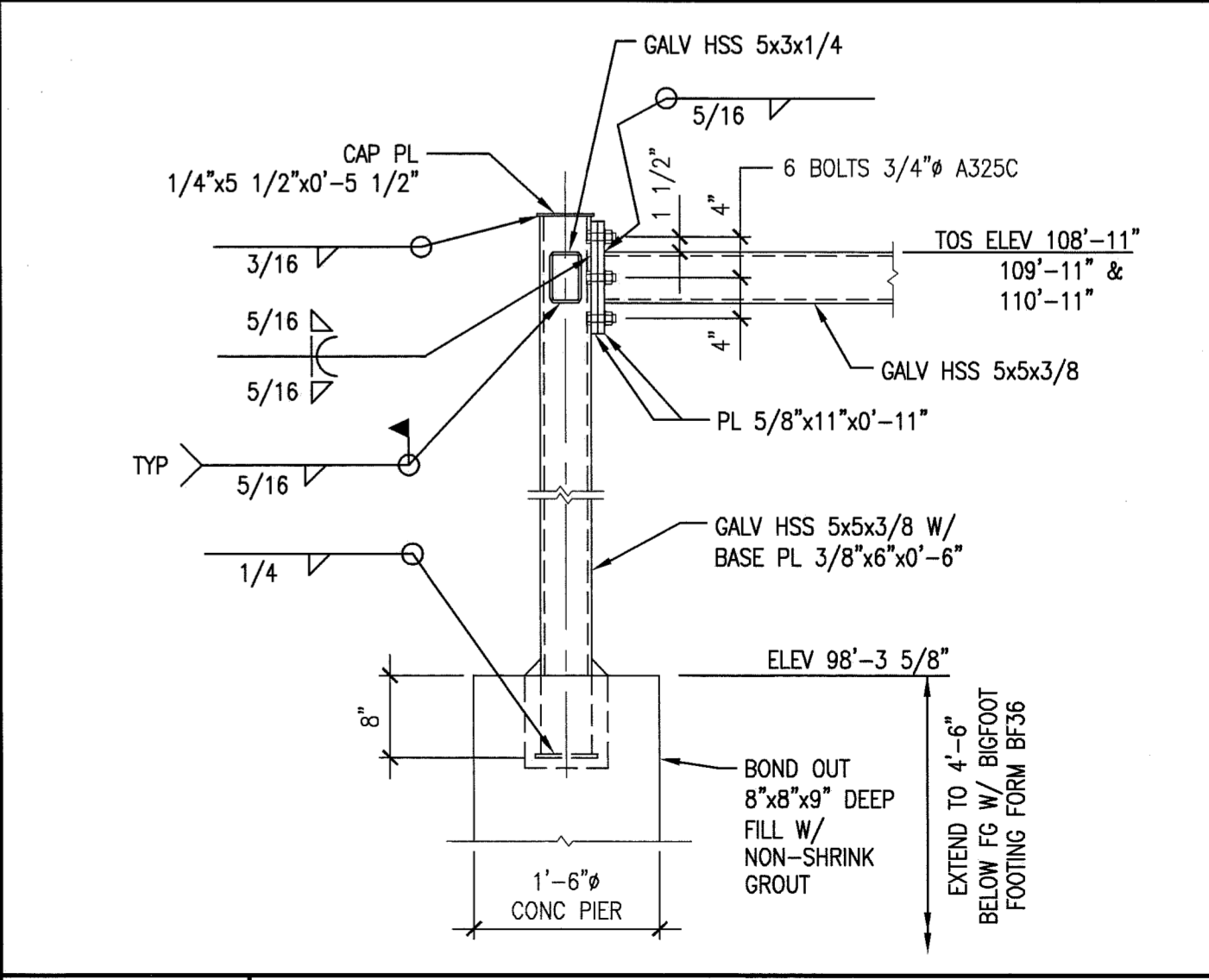
A1 SECTION
 1 1/2"=1'-0"



A4 SECTION
 1 1/2"=1'-0"



A8 SECTION
 1 1/2"=1'-0"



A12 TYPICAL CANOPY FRAME SECTION
 3/4"=1'-0"