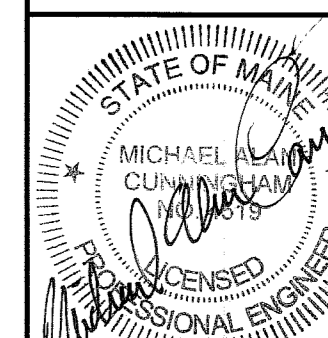
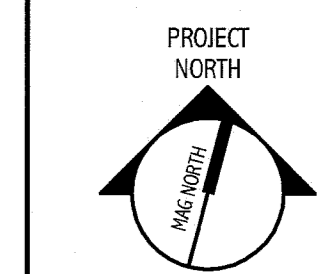
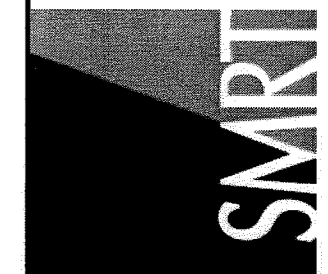
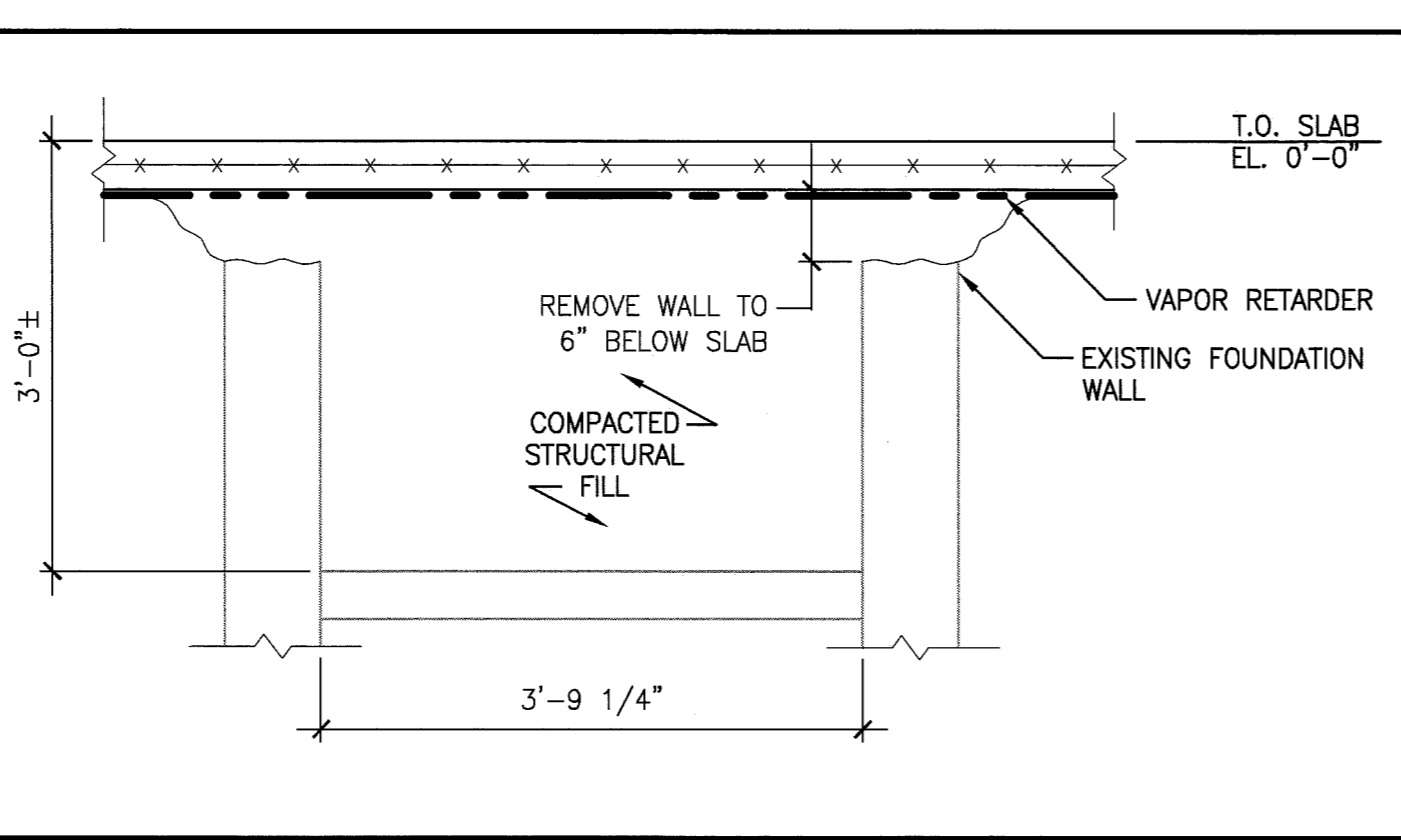
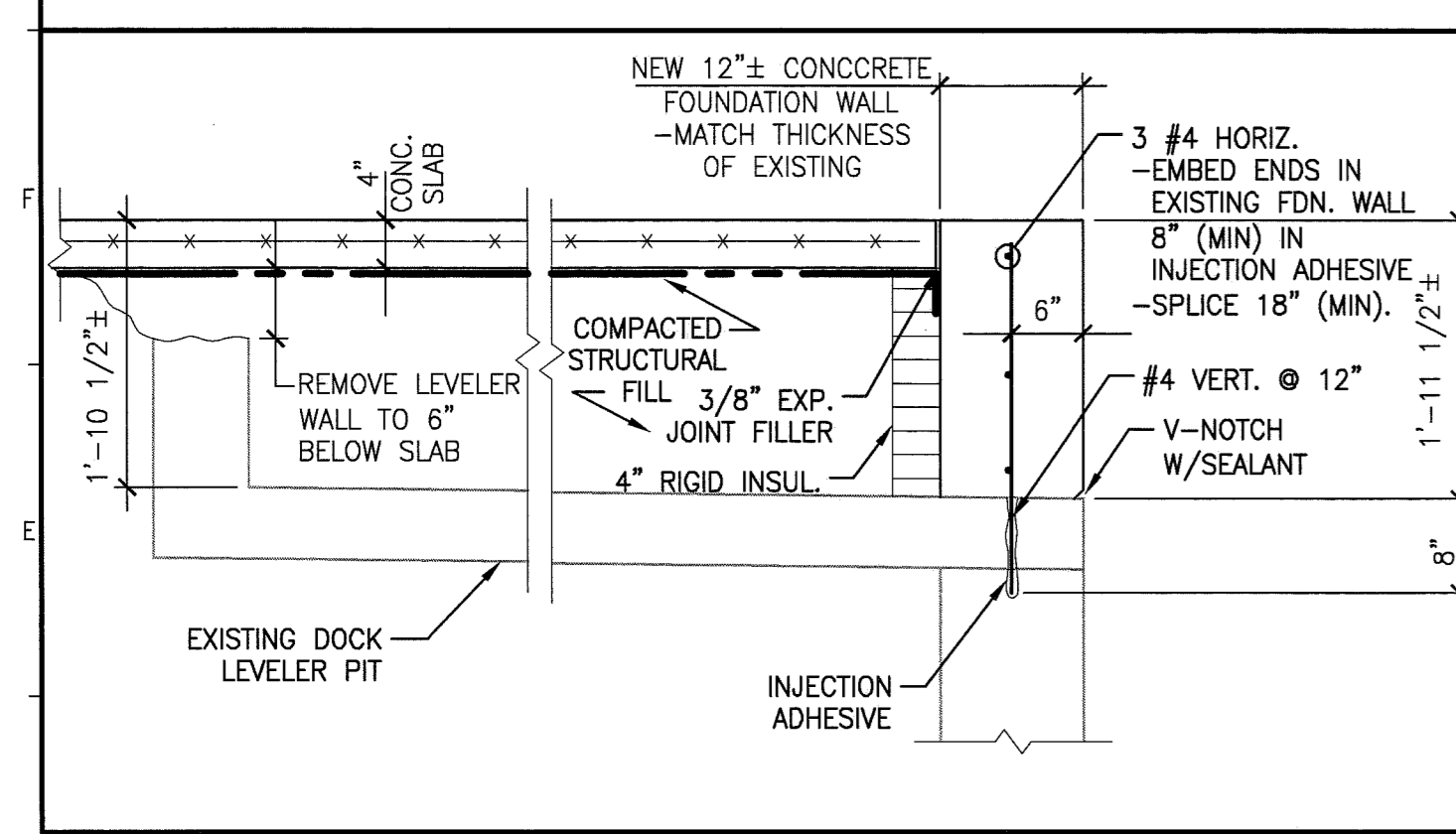


144 Fore Street/P.O. Box 618  
Portland, Maine 04104  
Tel. (207) 772-9846  
Fax. (207) 772-1070  
www.smartinc.com

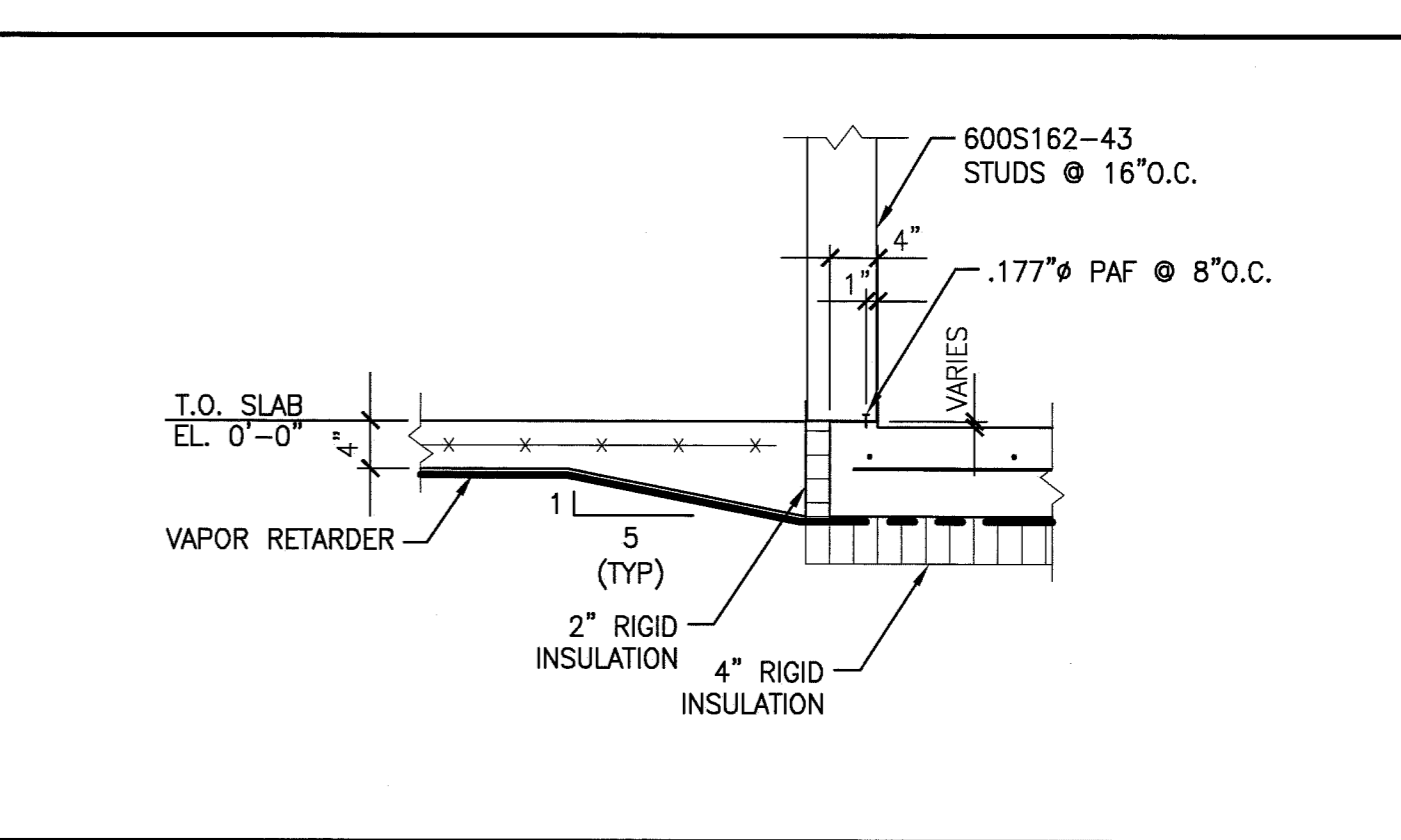
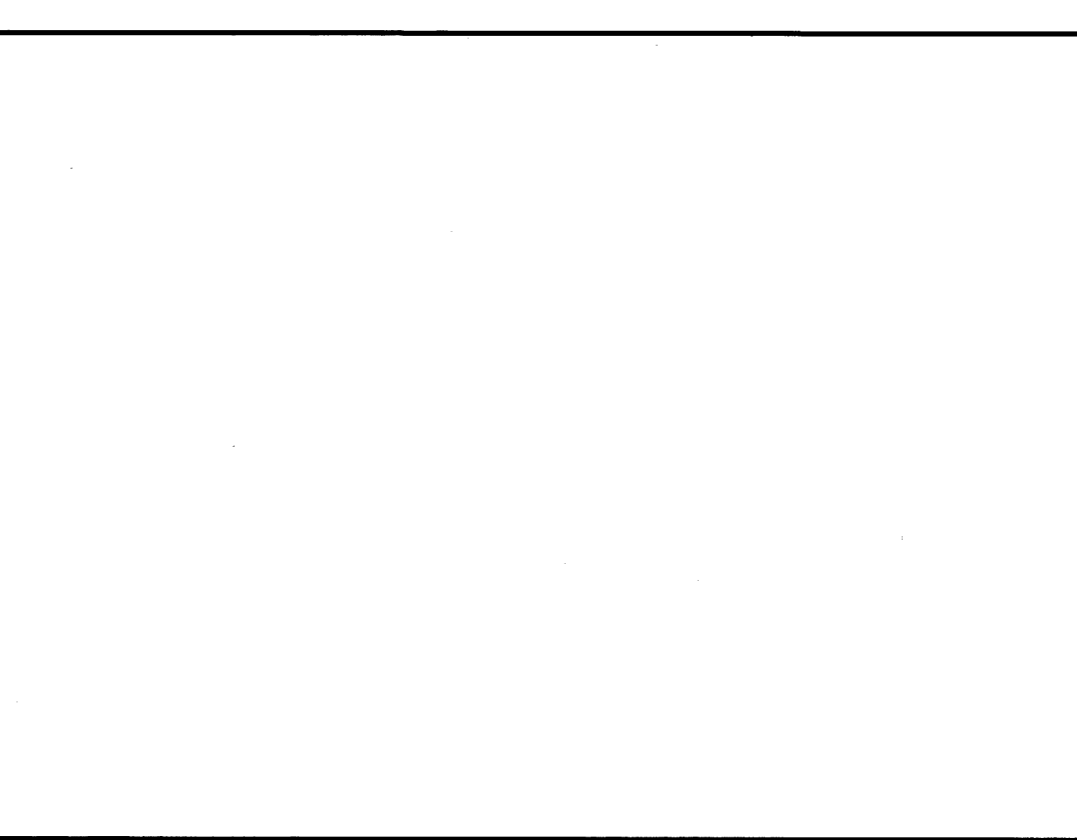
ARCHITECTURE  
ENGINEERING  
PLANNING  
INTERIOR DESIGN  
COMMISSIONING



G9 -



D9 -

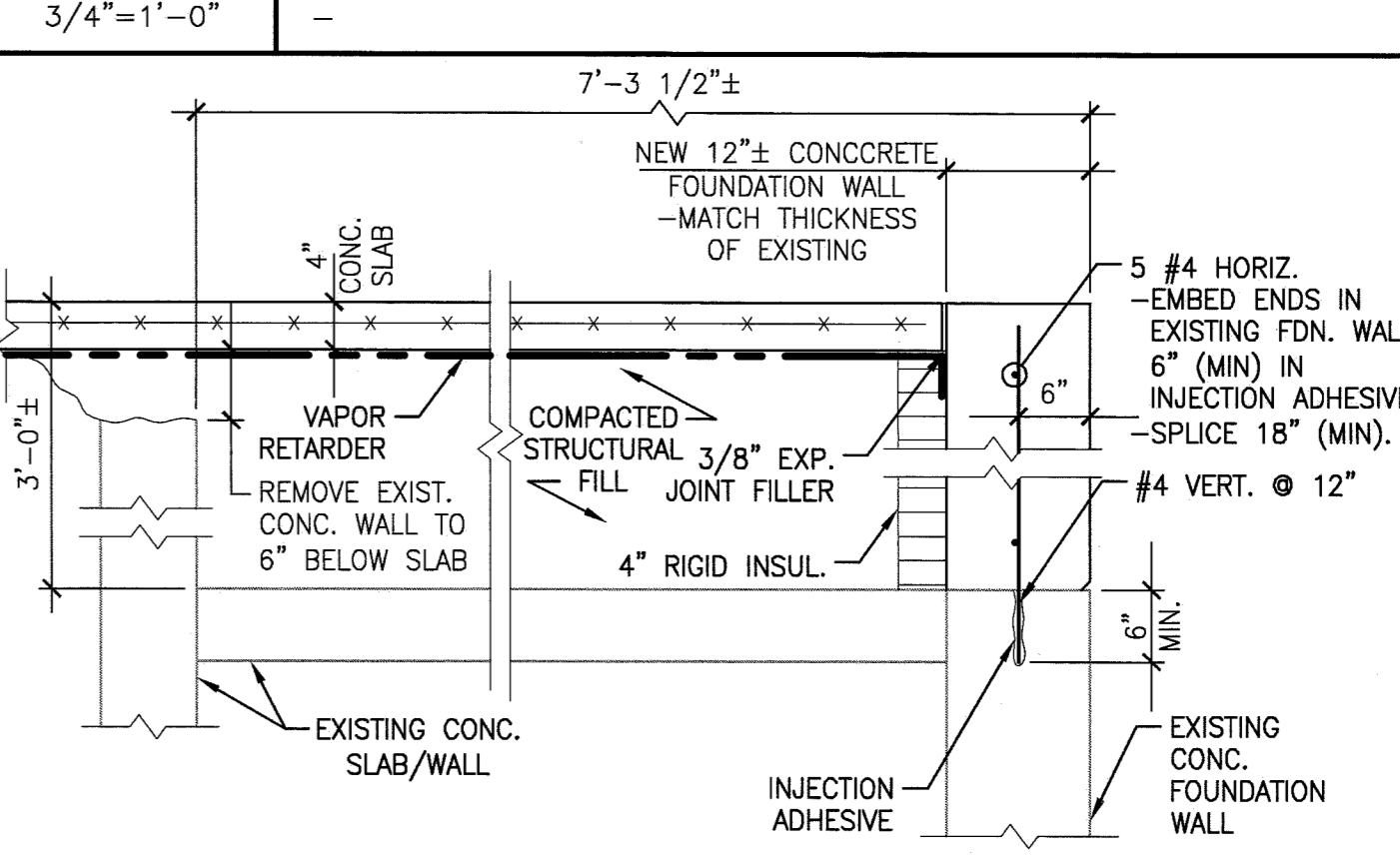
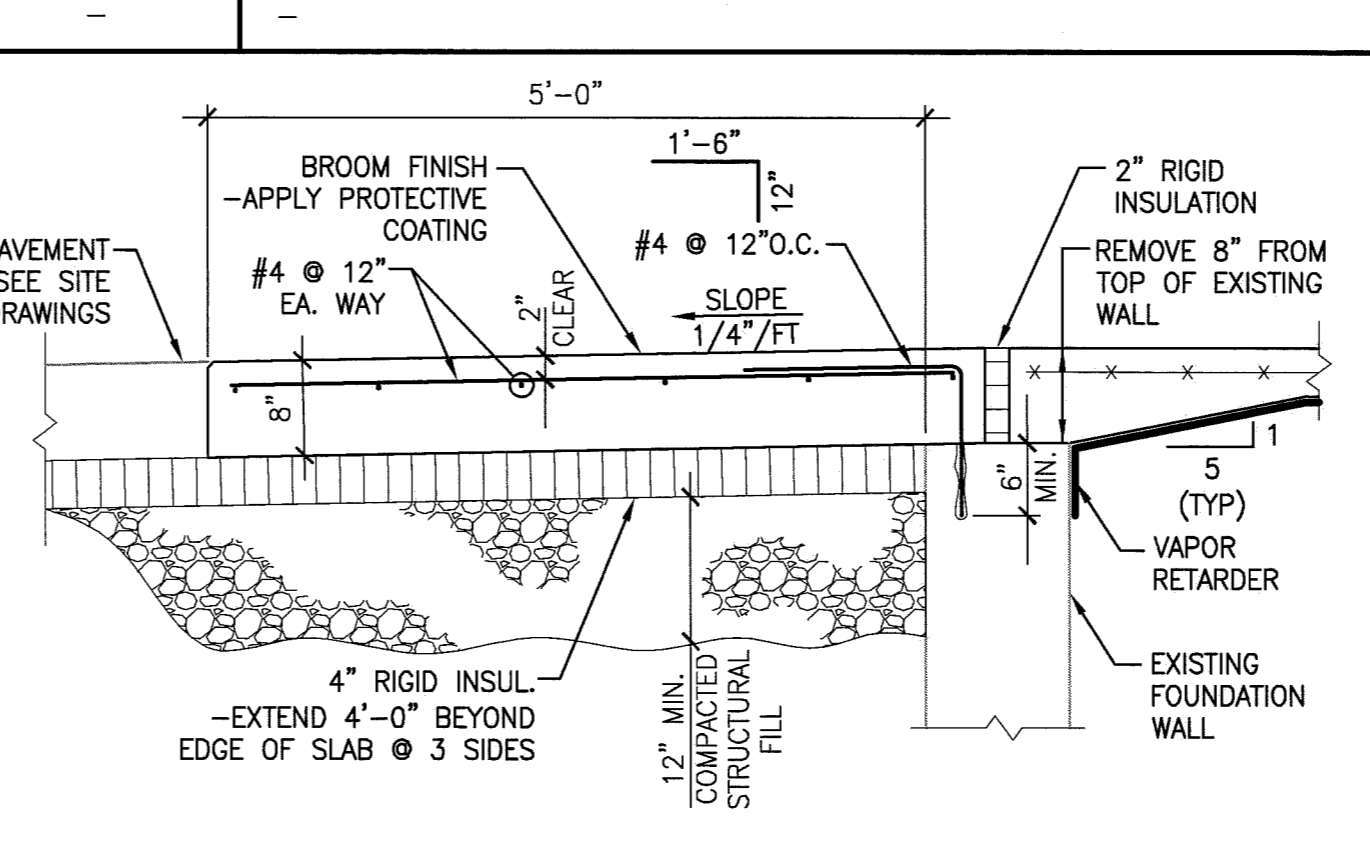
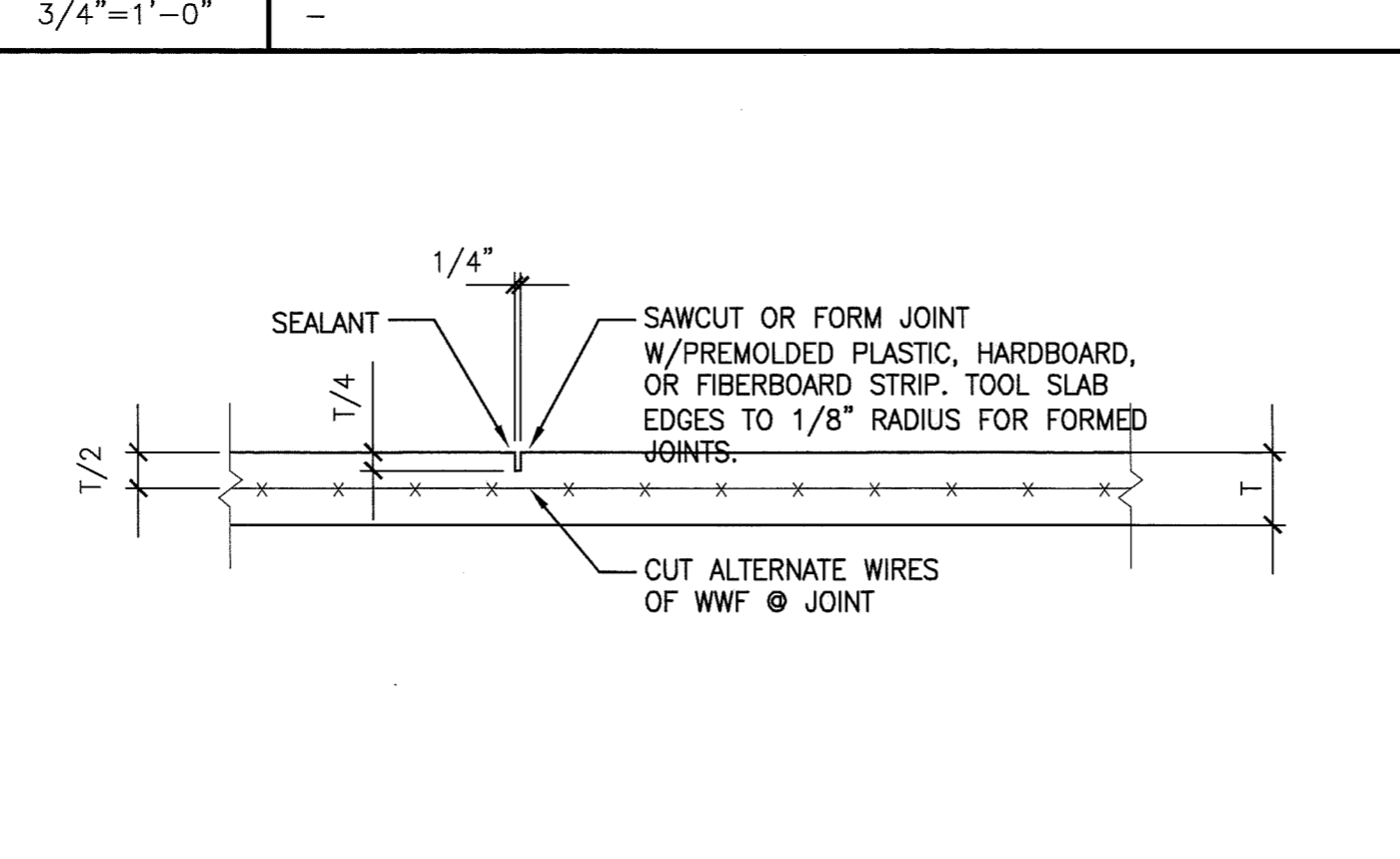
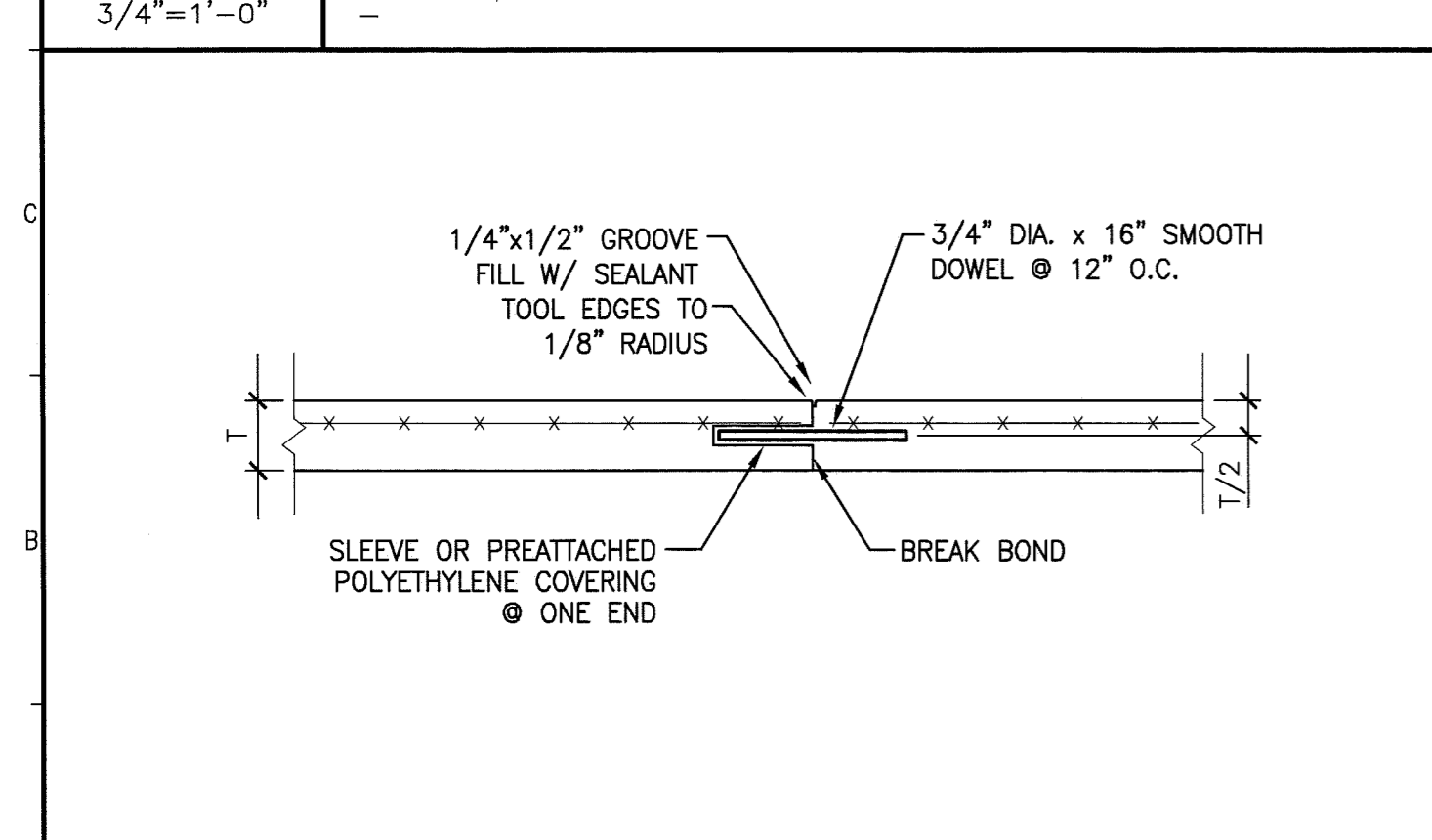


D1 DOCK LEVELLER INFILL SECTION  
3/4"=1'-0"

D5 SECTION  
3/4"=1'-0"

D9 SECTION  
3/4"=1'-0"

D12 SECTION  
3/4"=1'-0"



A1 SLAB-ON-GRADE CONSTRUCTION JOINT DETAIL  
3/4"=1'-0"

A5 SLAB-ON-GRADE CONTROL JOINT DETAIL  
3/4"=1'-0"

A8 SECTION  
3/4"=1'-0"

A12 SECTION  
3/4"=1'-0"

DEPARTMENT OF  
VETERAN AFFAIRS - PORTLAND  
PORTLAND, MAINE  
ISSUE FOR CONSTRUCTION  
9-01-10  
CURRENT ISSUE STATUS:

REV	DESCRIPTION	DATE
0	ISSUED FOR CONSTRUCTION	9-01-10

GRAPHIC SCALE:  
0" 1"  
SCALE: AS NOTED  
PROJECT MANAGER: DRL  
JC/DRAWN BY: SJF  
A/E OF RECORD: MAC  
CAD FILE: SB501-10022  
PROJECT NO: 10022  
DATE:  
SHEET TITLE:  
FOUNDATION SECTIONS AND DETAILS  
SHEET No. SB501  
© COPYRIGHT 2009 SMART INC.