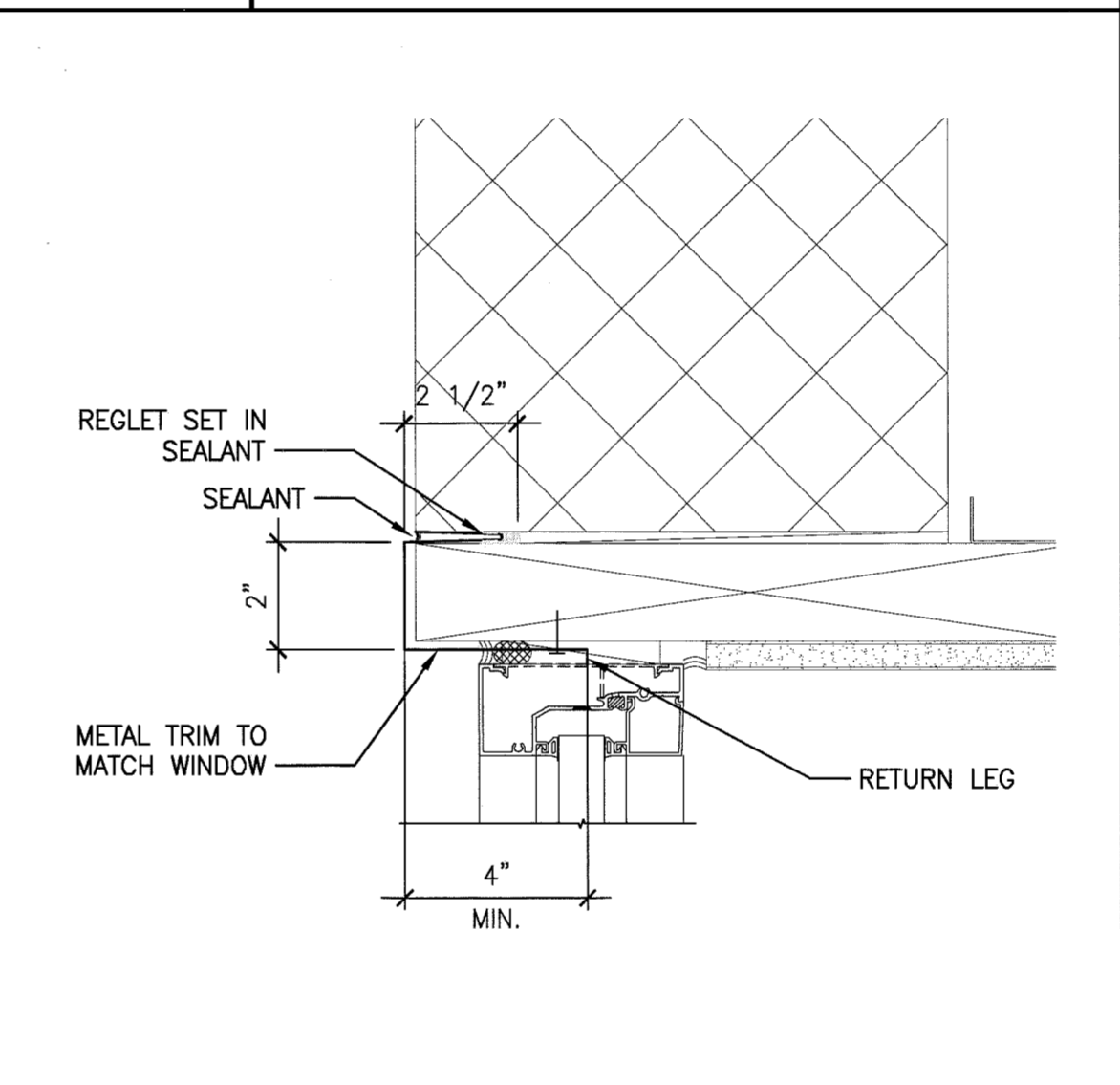
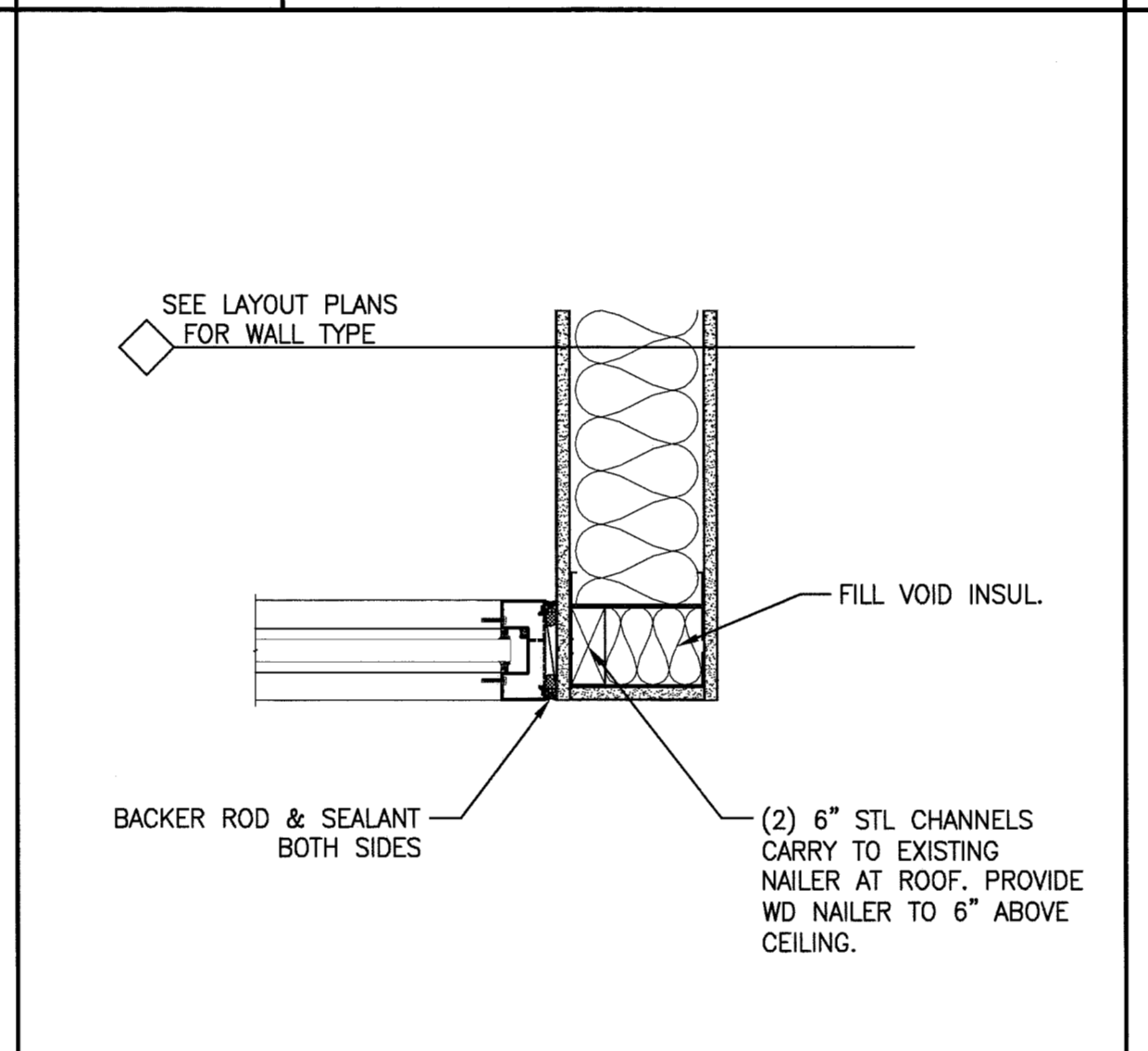
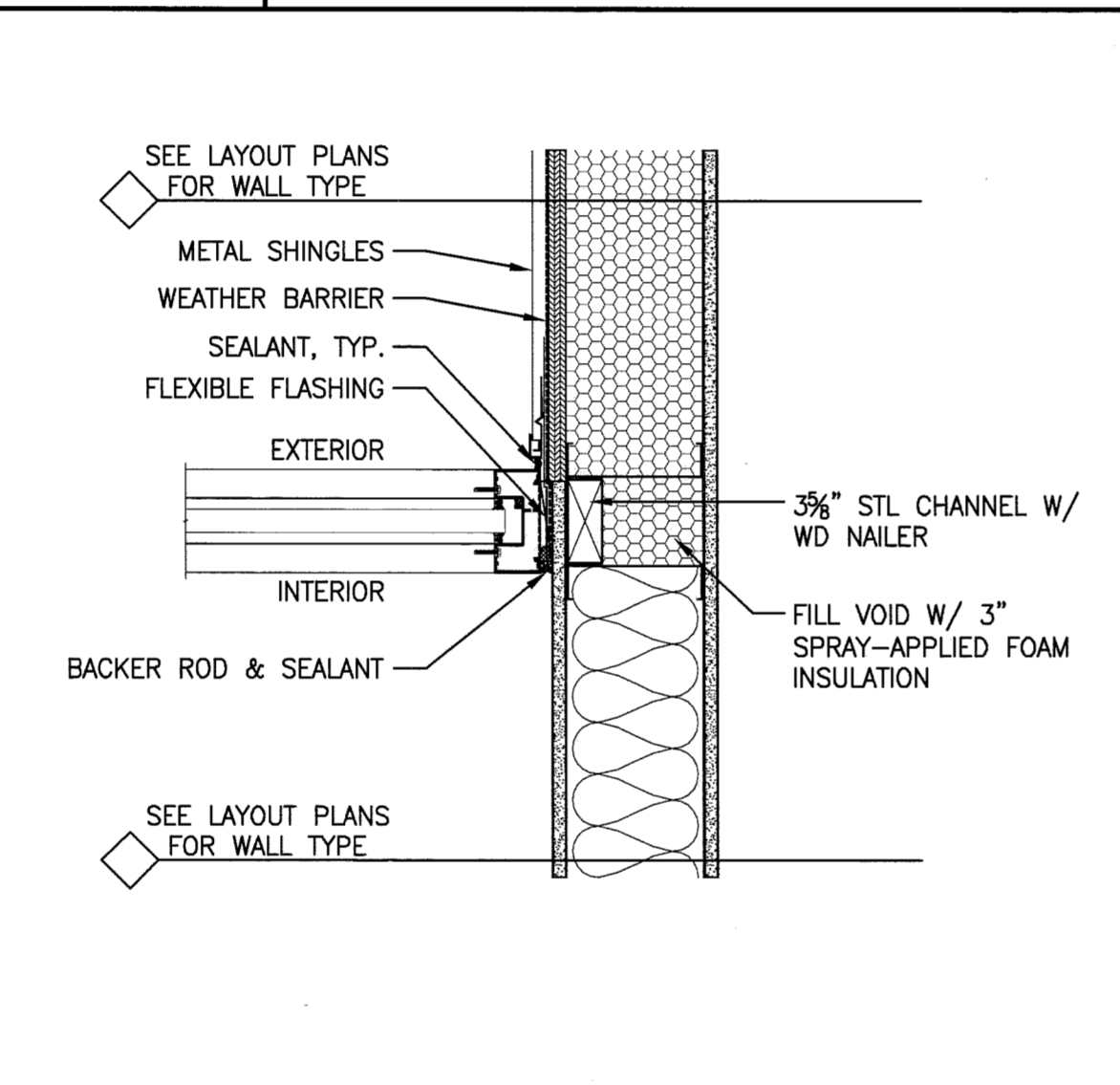
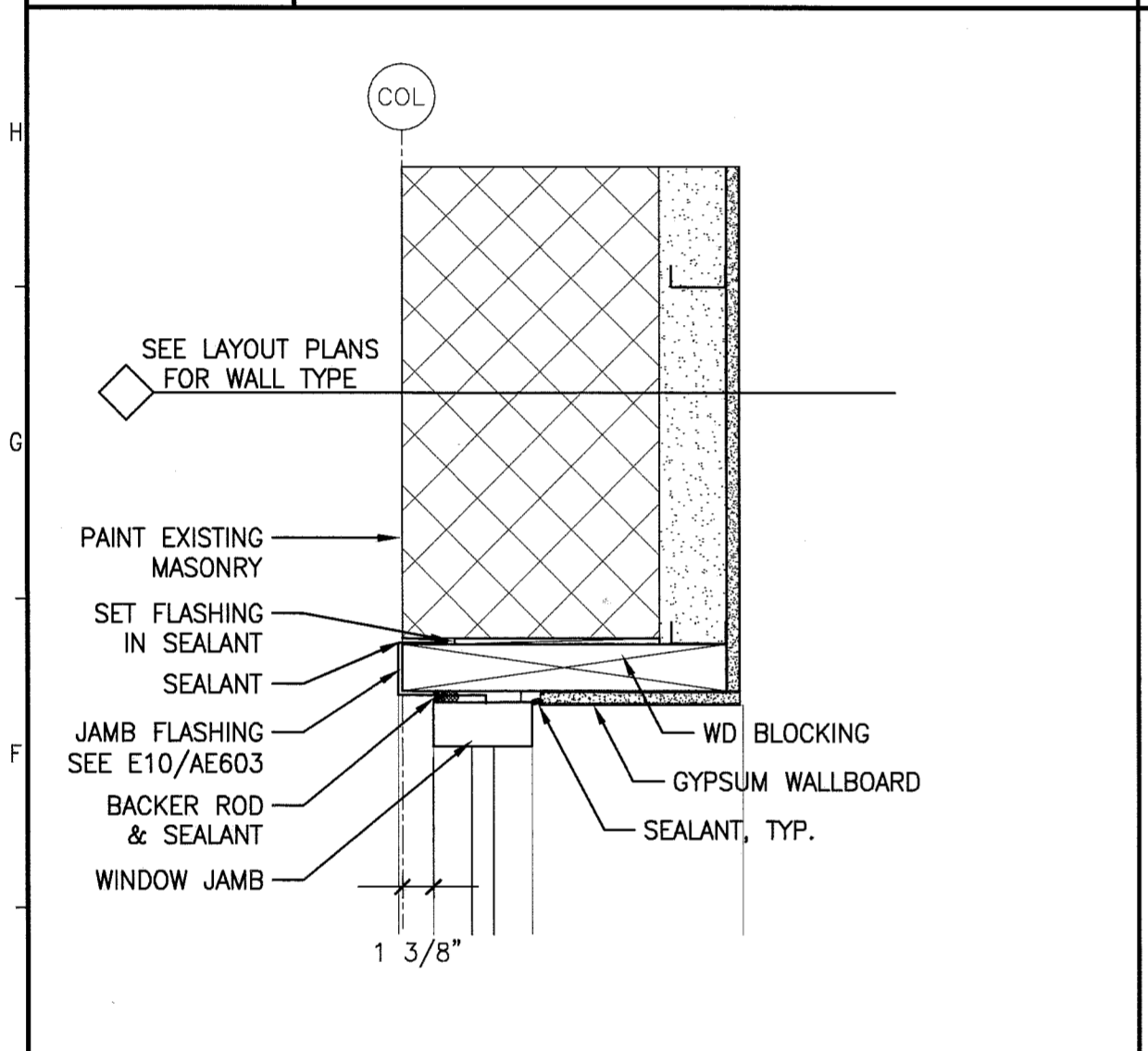


J1 EXTERIOR ALUM. WINDOW HEAD
1 1/2" = 1'-0" *

J4 EXT. ALUM. STOREFRONT HEAD
1 1/2" = 1'-0" *

J7 ALUM. STOREFRONT HEAD
1 1/2" = 1'-0" *

J10 HEAD FLASHING
3" = 1'-0" *

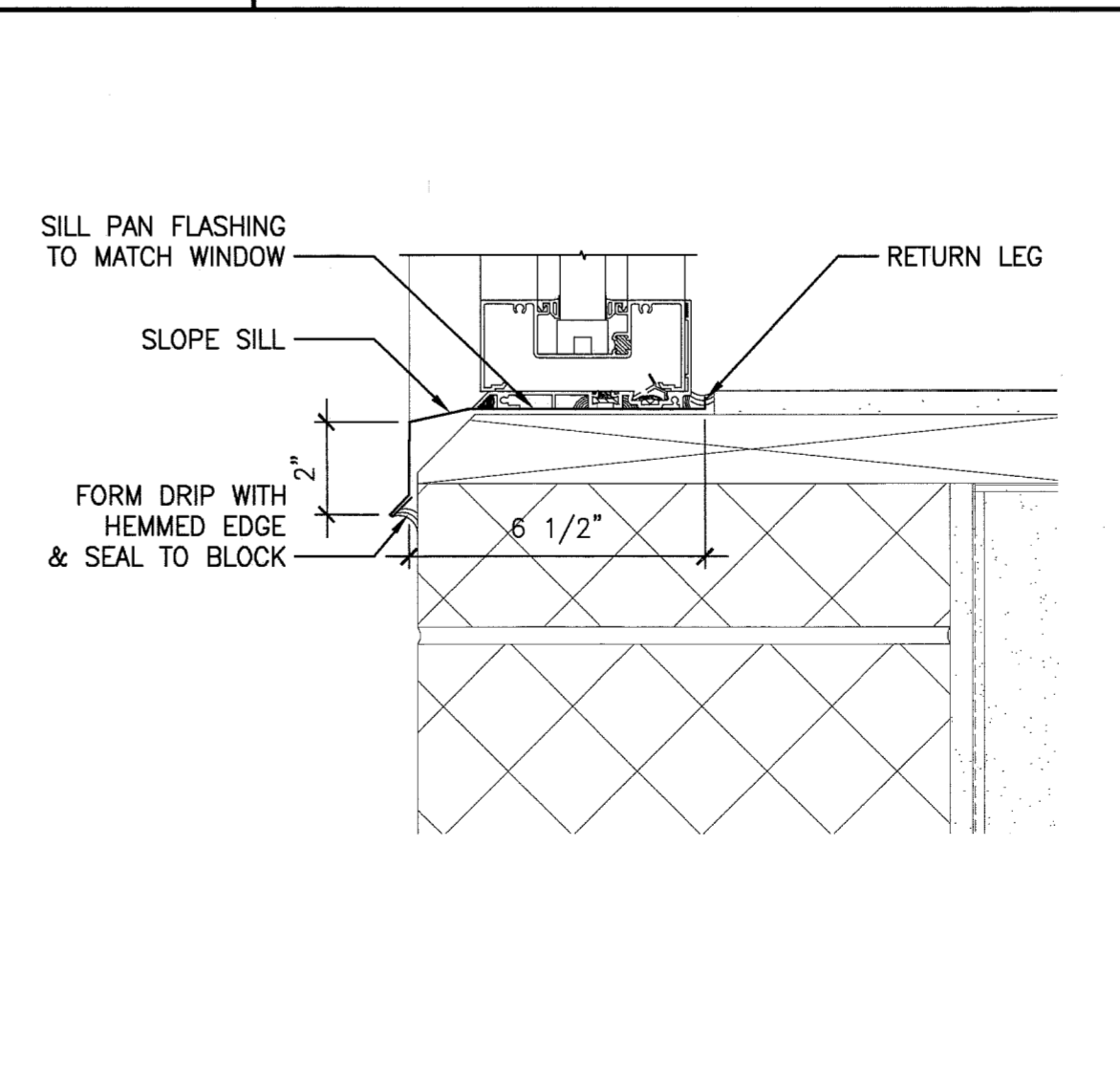
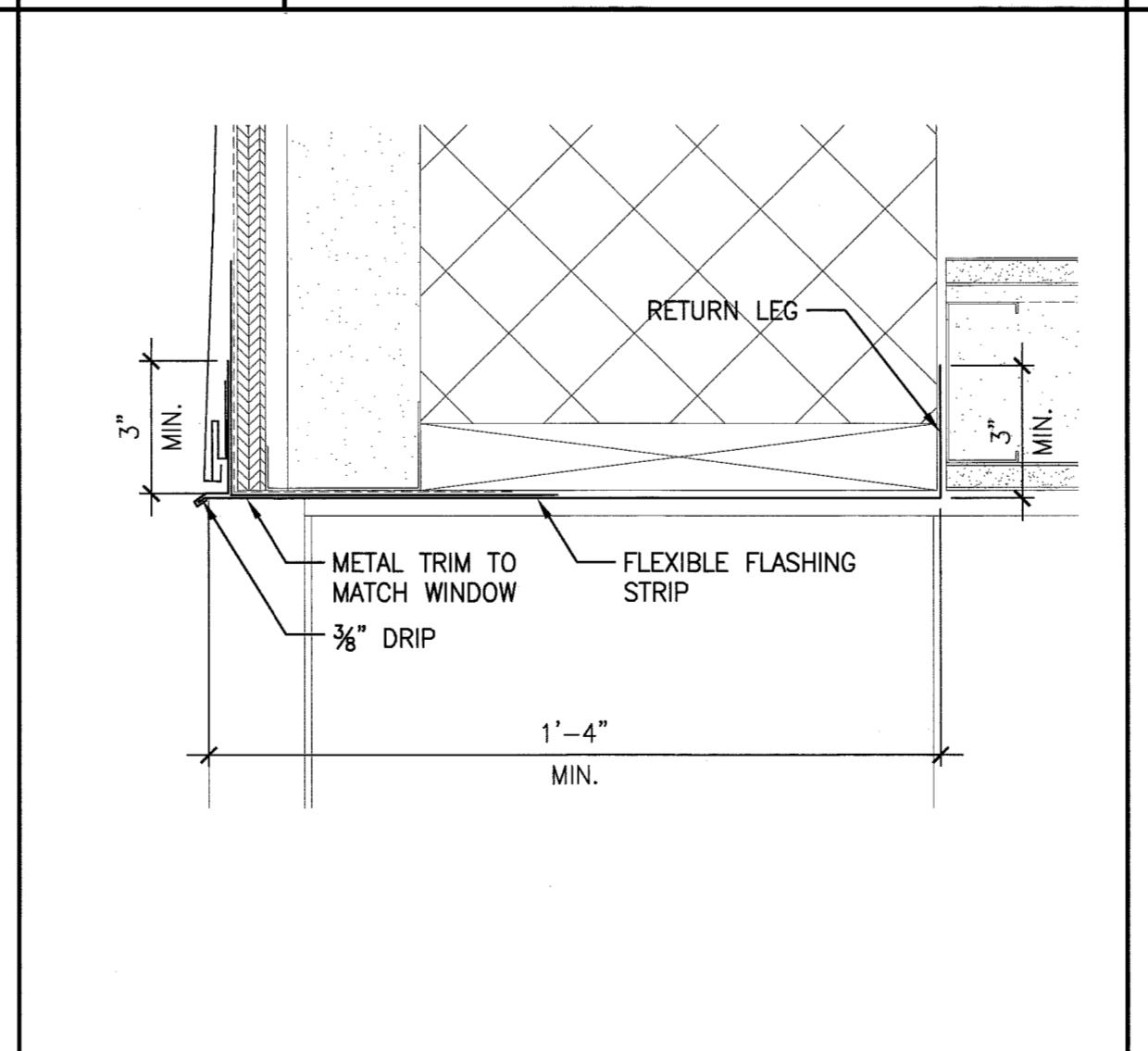
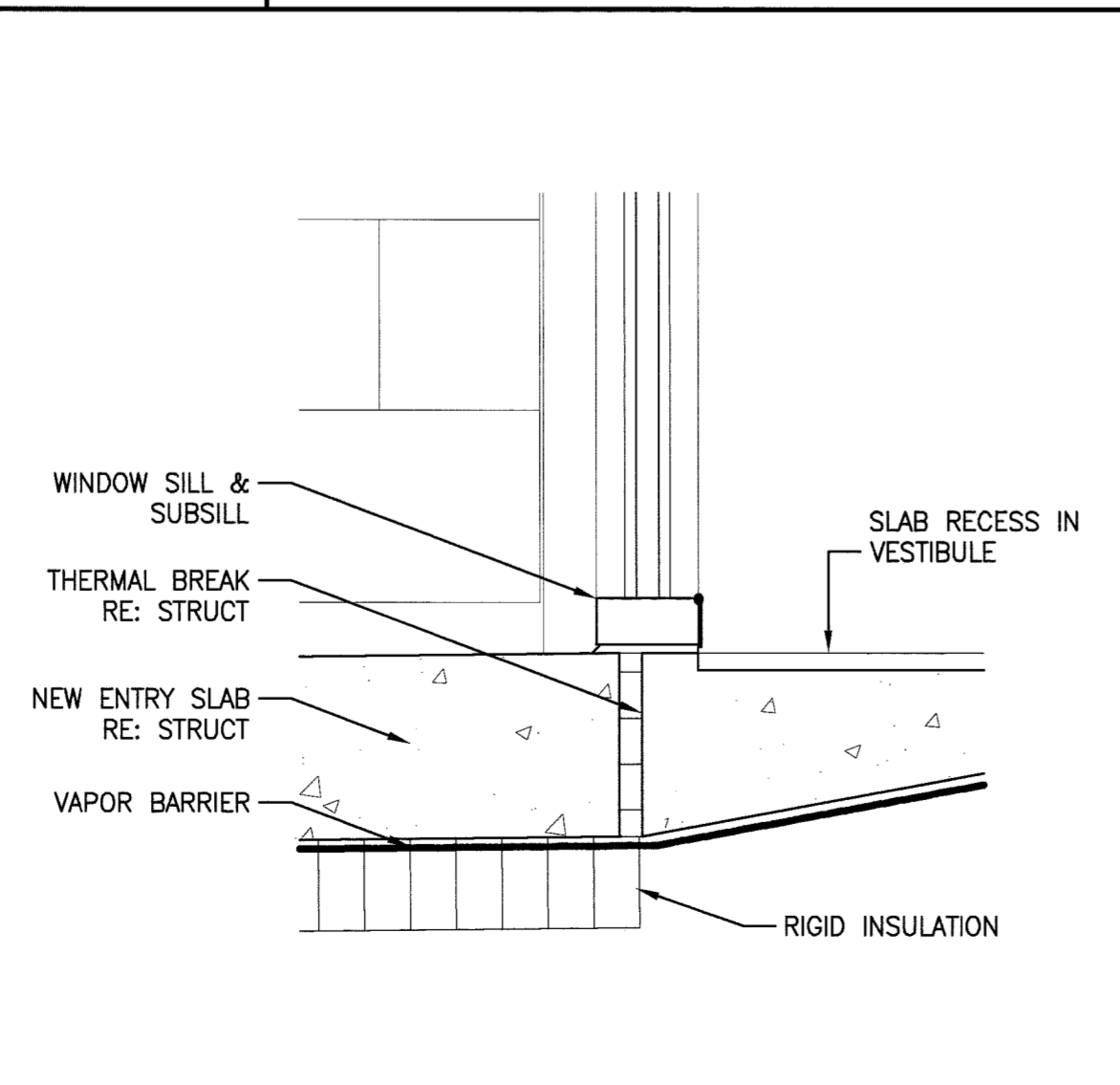
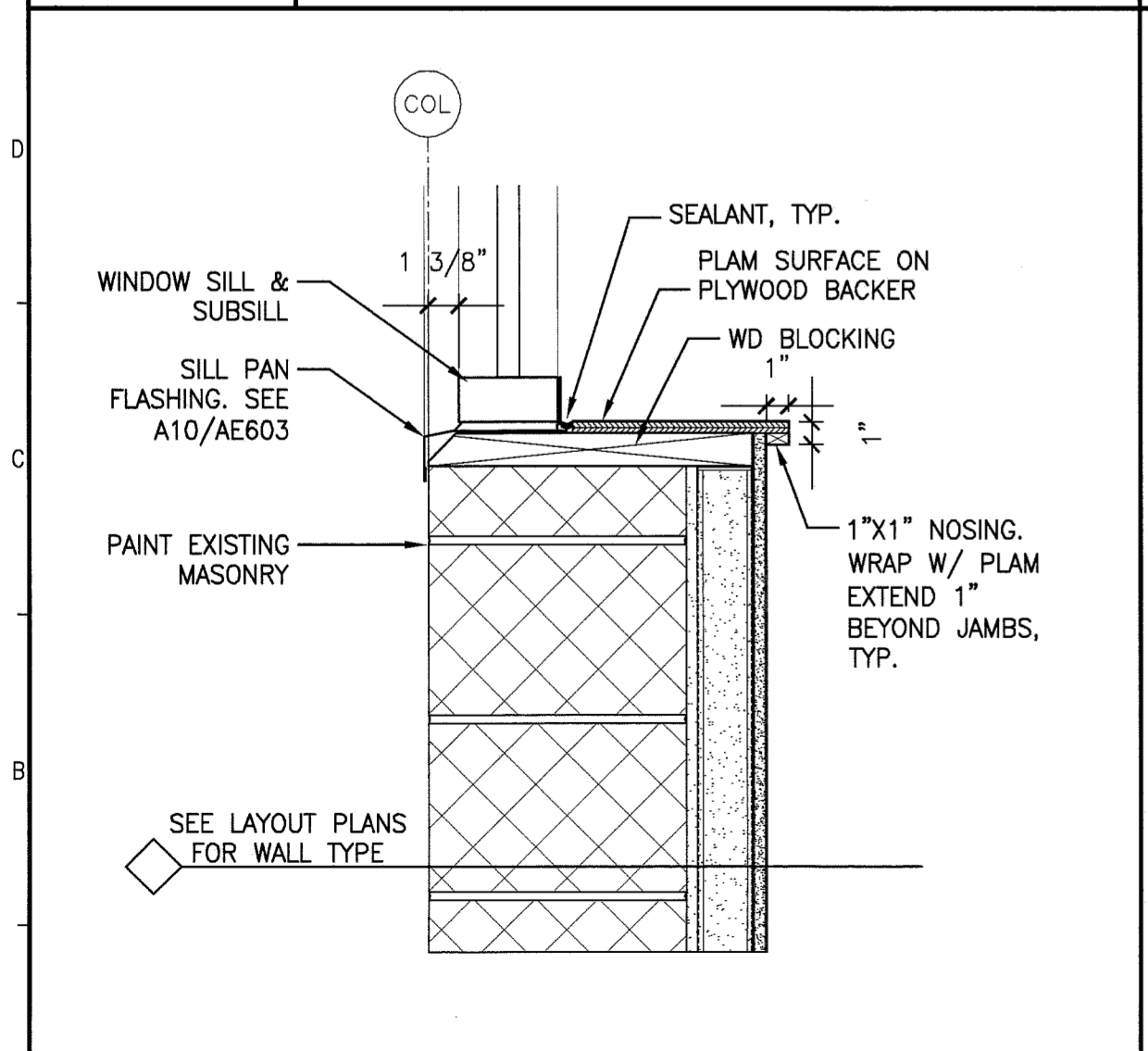


E1 EXTERIOR ALUM WINDOW JAMB
1 1/2" = 1'-0" *

E4 EXT. ALUM STOREFRONT JAMB
1 1/2" = 1'-0" *

E7 ALUM STOREFRONT JAMB
1 1/2" = 1'-0" *

E10 JAMB FLASHING
3" = 1'-0" *



A1 EXTERIOR ALUM WINDOW SILL
1 1/2" = 1'-0" *

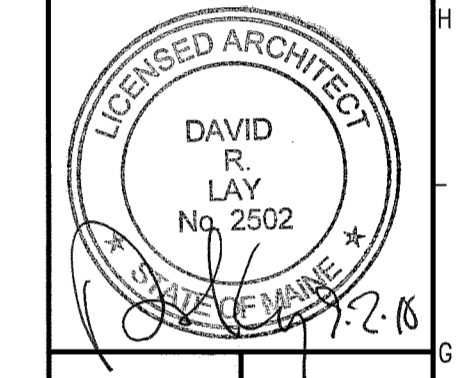
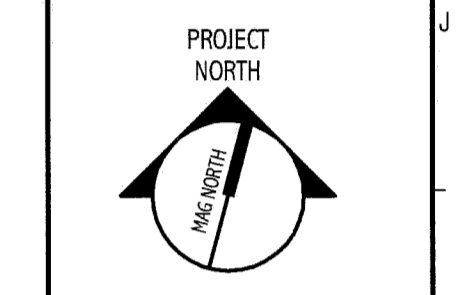
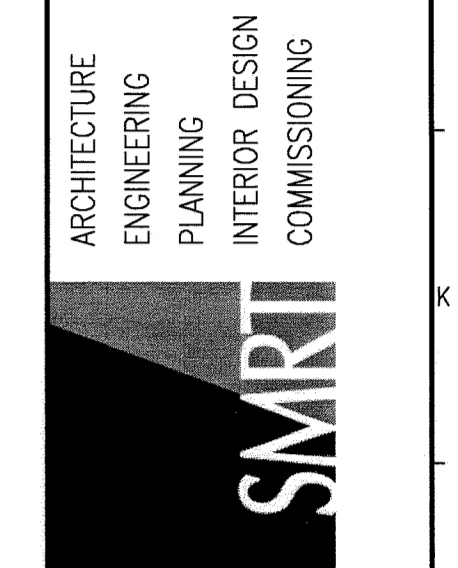
A4 EXTERIOR ALUM STOREFRONT SILL
1 1/2" = 1'-0" *

A7 HEAD FLASHING
3" = 1'-0" *

A10 SILL PAN FLASHING
3" = 1'-0" *

GENERAL NOTES:
1. ALUMINUM FRAME DETAILS ARE SHOWN FOR GRAPHICAL PURPOSES ONLY. REFER TO SPECIFICATIONS FOR ACTUAL PRODUCT.

144 Fore Street P.O. Box 618
Portland, Maine 04104
Tel: (207) 772-3846
Fax: (207) 772-1070
www.smartinc.com



DEPARTMENT OF
VETERAN AFFAIRS - PORTLAND
PORTLAND, MAINE

ISSUE FOR CONSTRUCTION
9-01-10

CURRENT ISSUE STATUS:

REV	DESCRIPTION	DATE
0	ISSUE FOR CONSTRUCTION	9-01-10

GRAPHIC SCALE:
0" 1"

SCALE: AS NOTED
PROJECT MANAGER: DRI
JC/DRAWN BY: TCM/KMM
A/E OF RECORD: DRI
CAD FILE: AE603-10022
PROJECT NO: 10022
DATE: 8-09-10

SHEET TITLE:
EXTERIOR
OPENING DETAILS

SHEET No. AE603
© COPYRIGHT 2009 SMART INC.