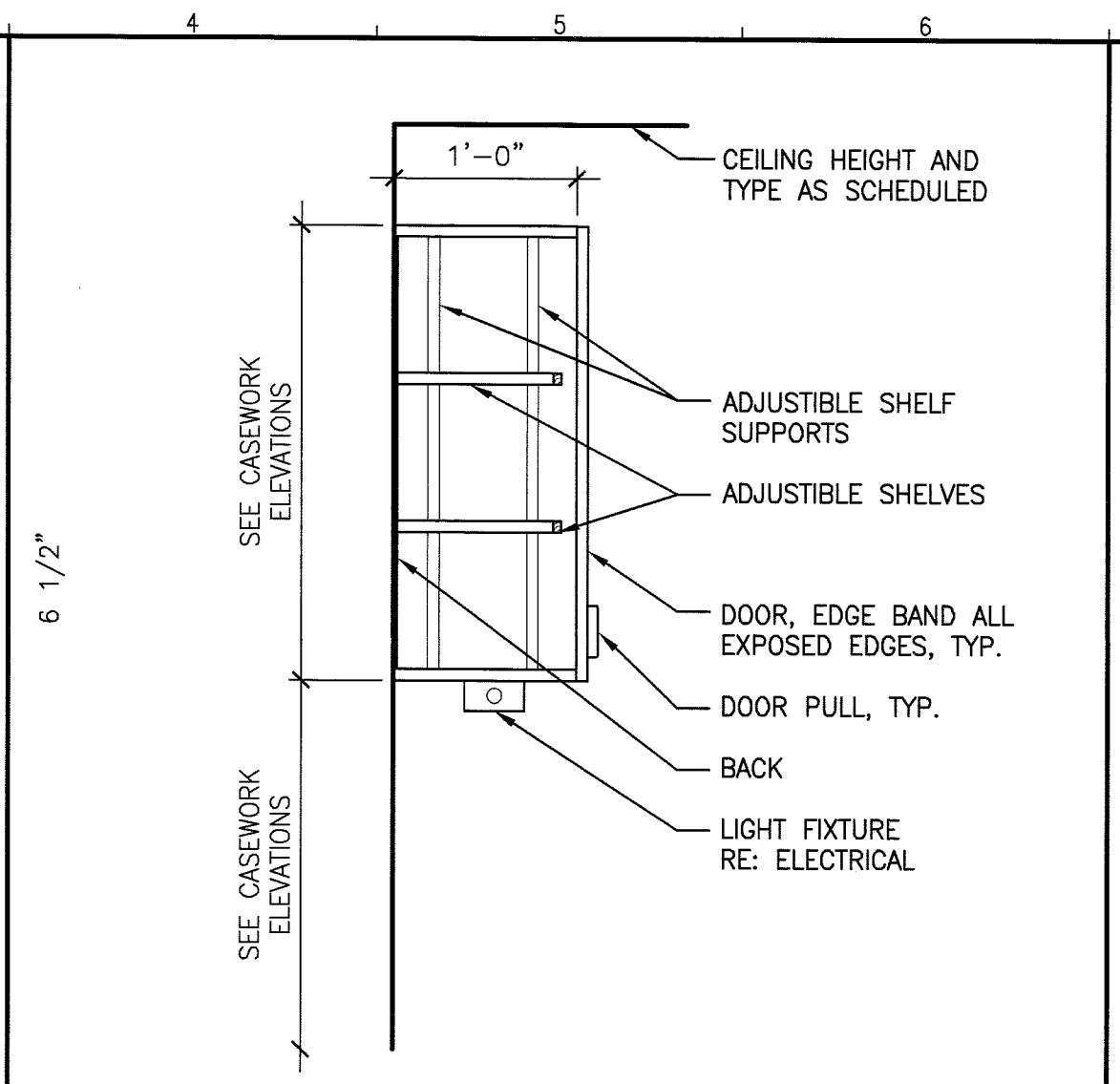
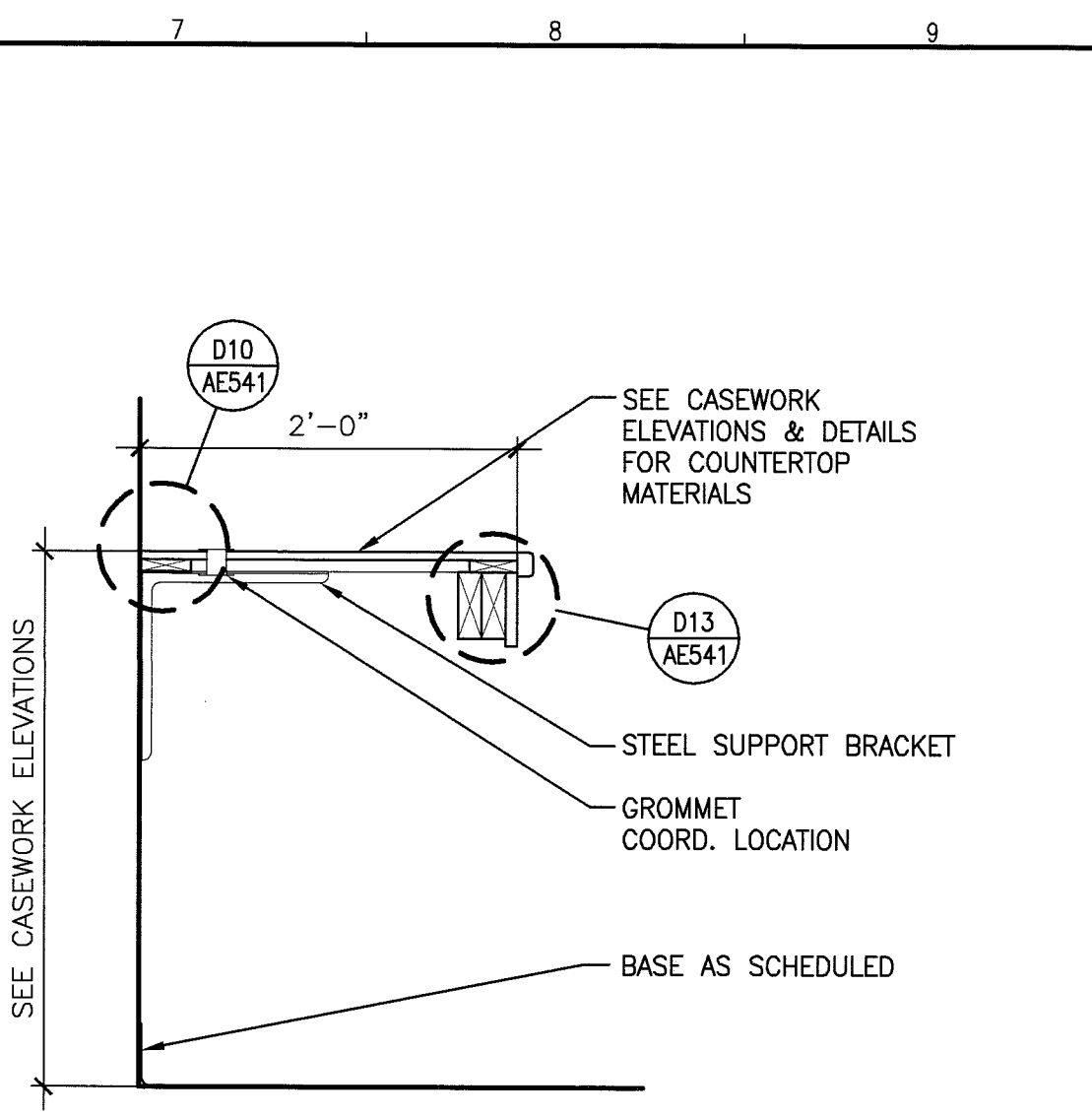


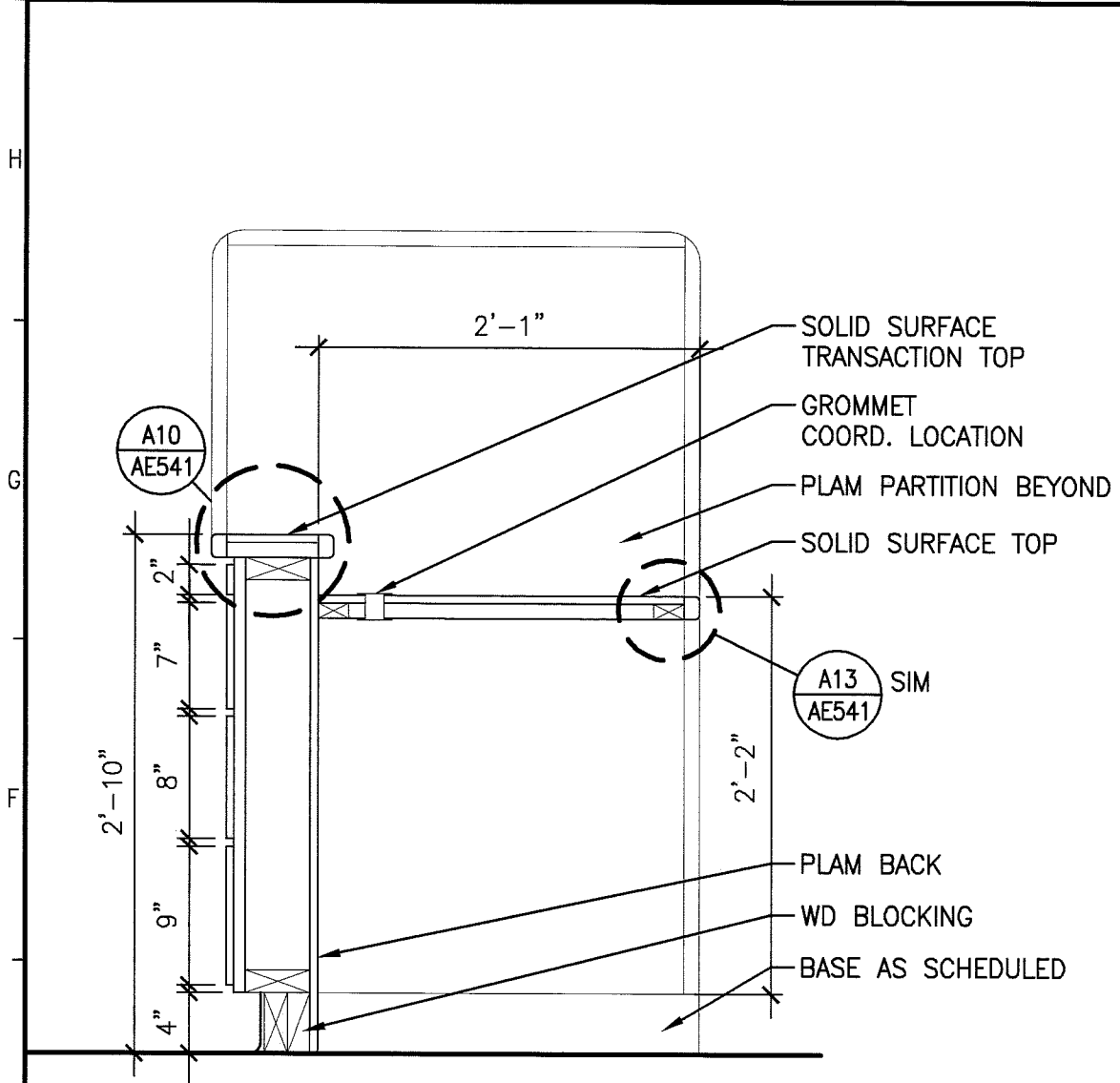
J1 RECEPTION 125
1" = 1'-0" *



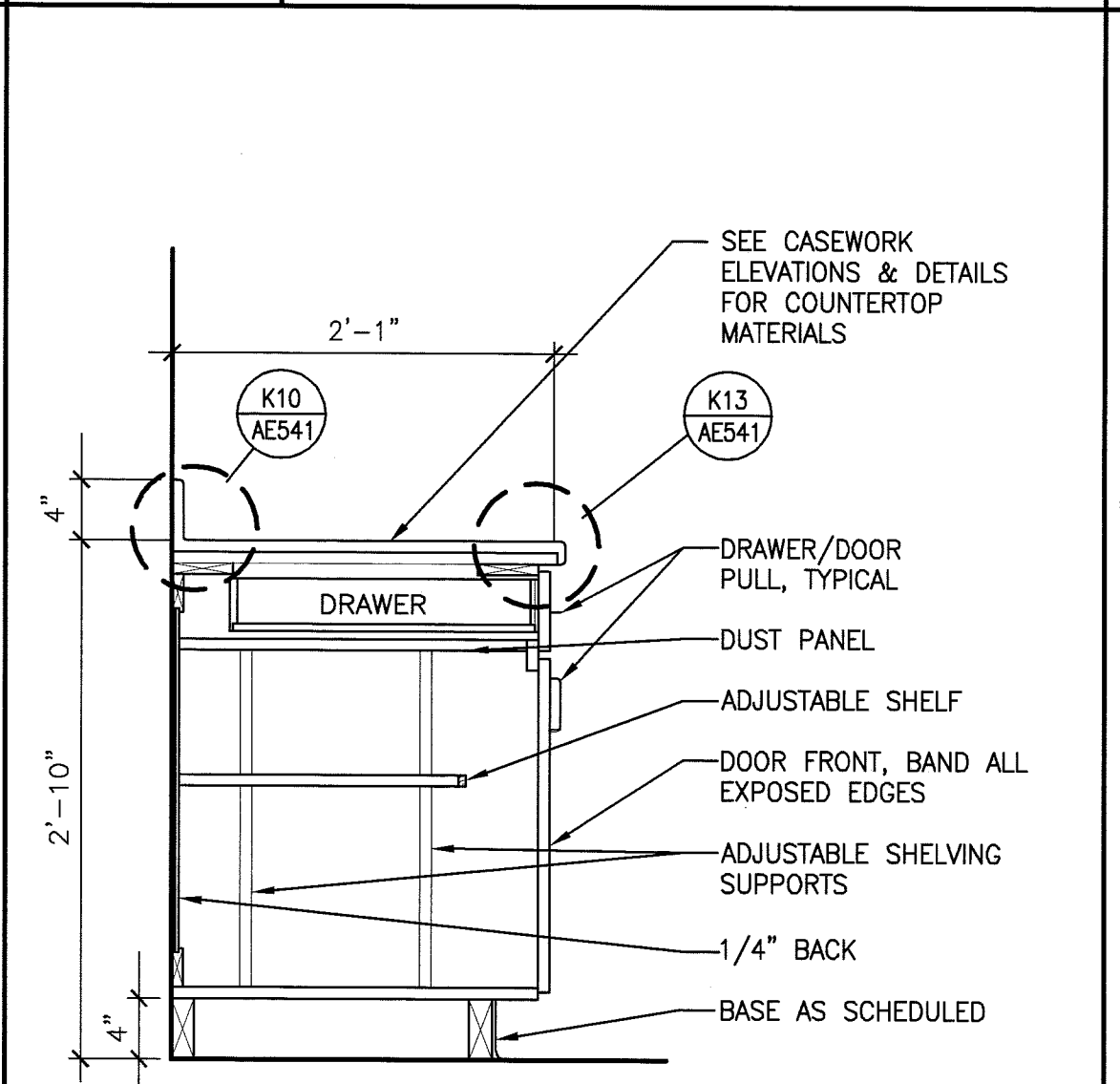
J4 CASEWORK DETAIL
1" = 1'-0" *



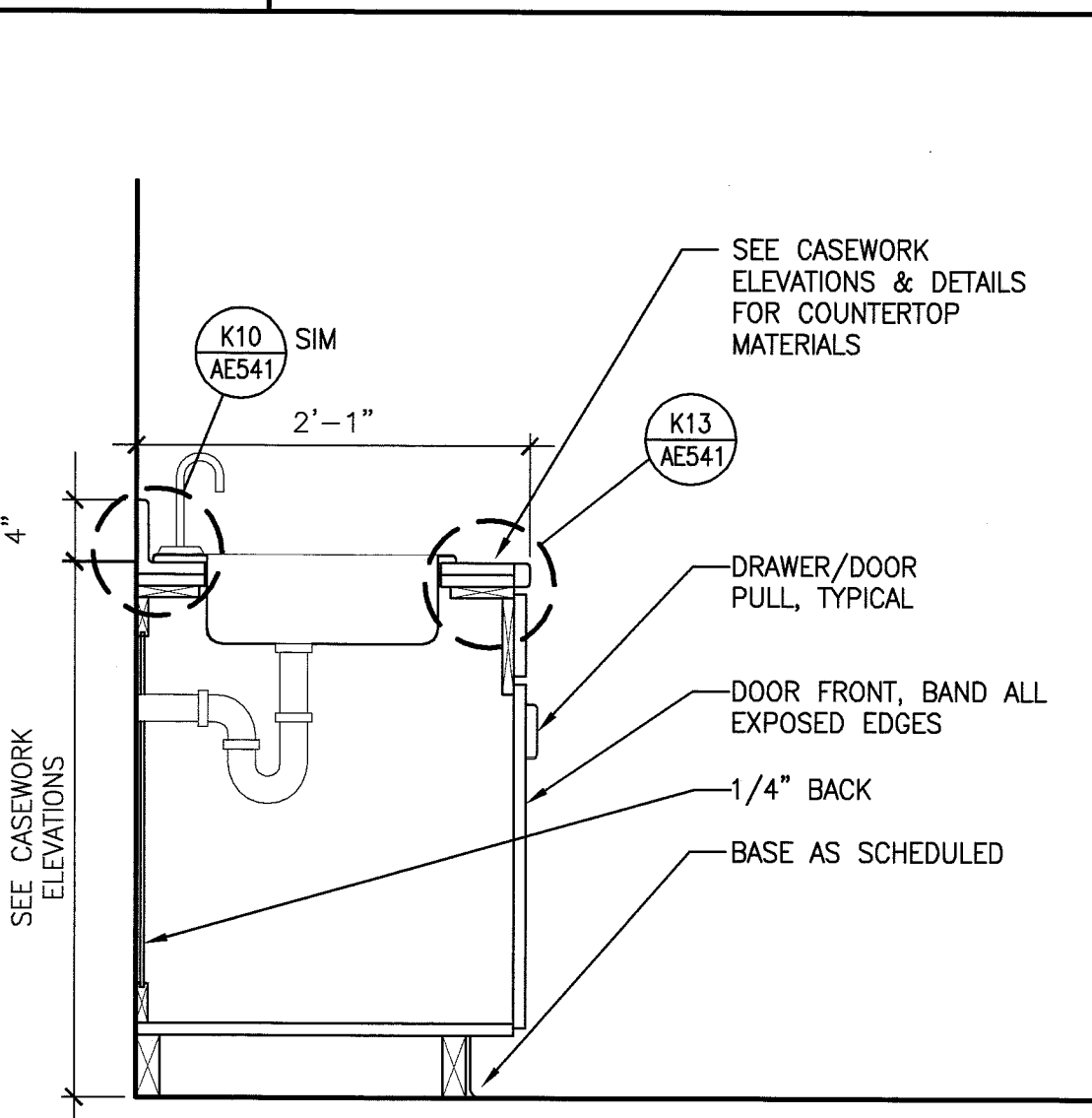
J7 CASEWORK DETAIL
1" = 1'-0" *



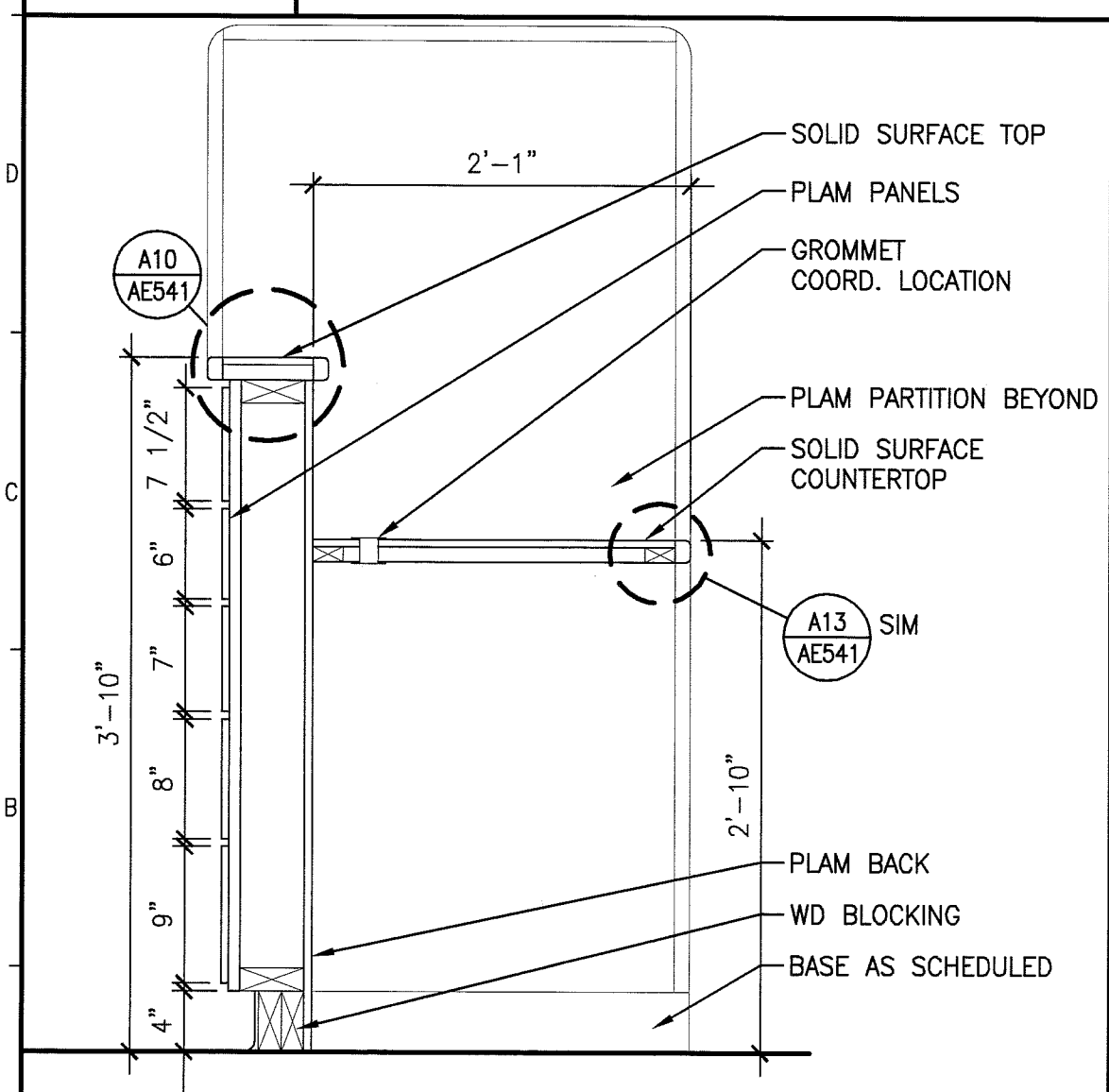
E1 NURSE STATION 120
1" = 1'-0" *



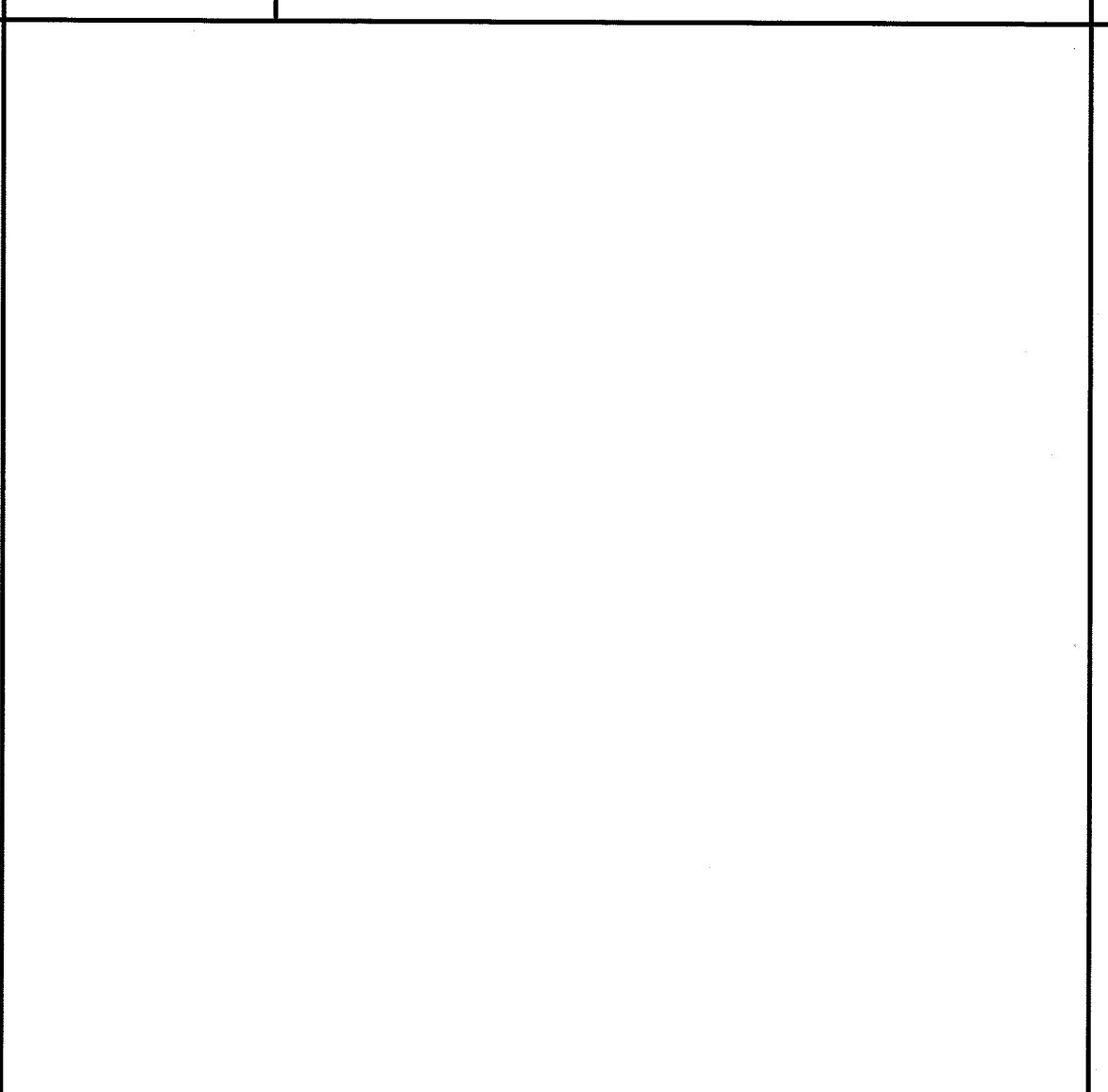
E4 CASEWORK DETAIL
1" = 1'-0" *



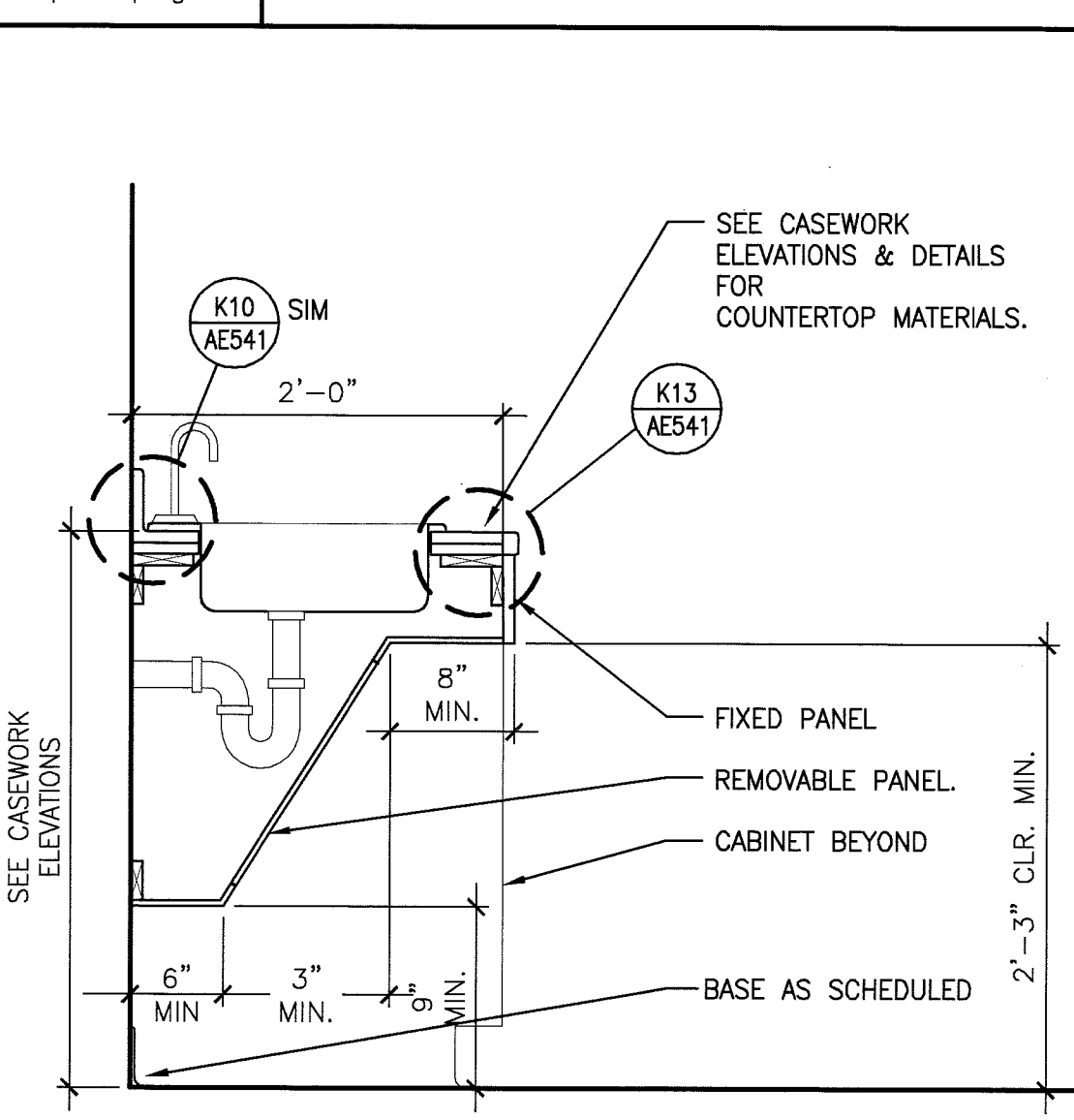
E7 CASEWORK DETAIL
1" = 1'-0" *



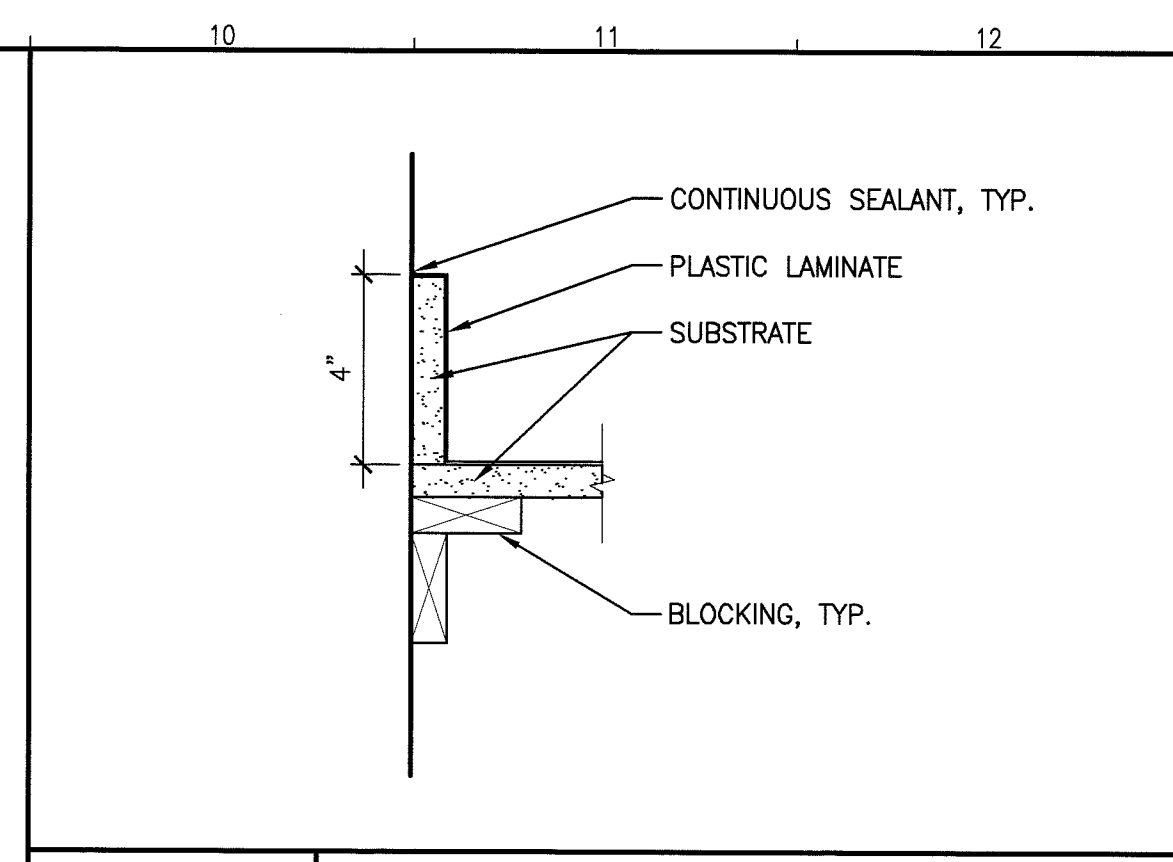
A1 NURSE STATION 120
1" = 1'-0" *



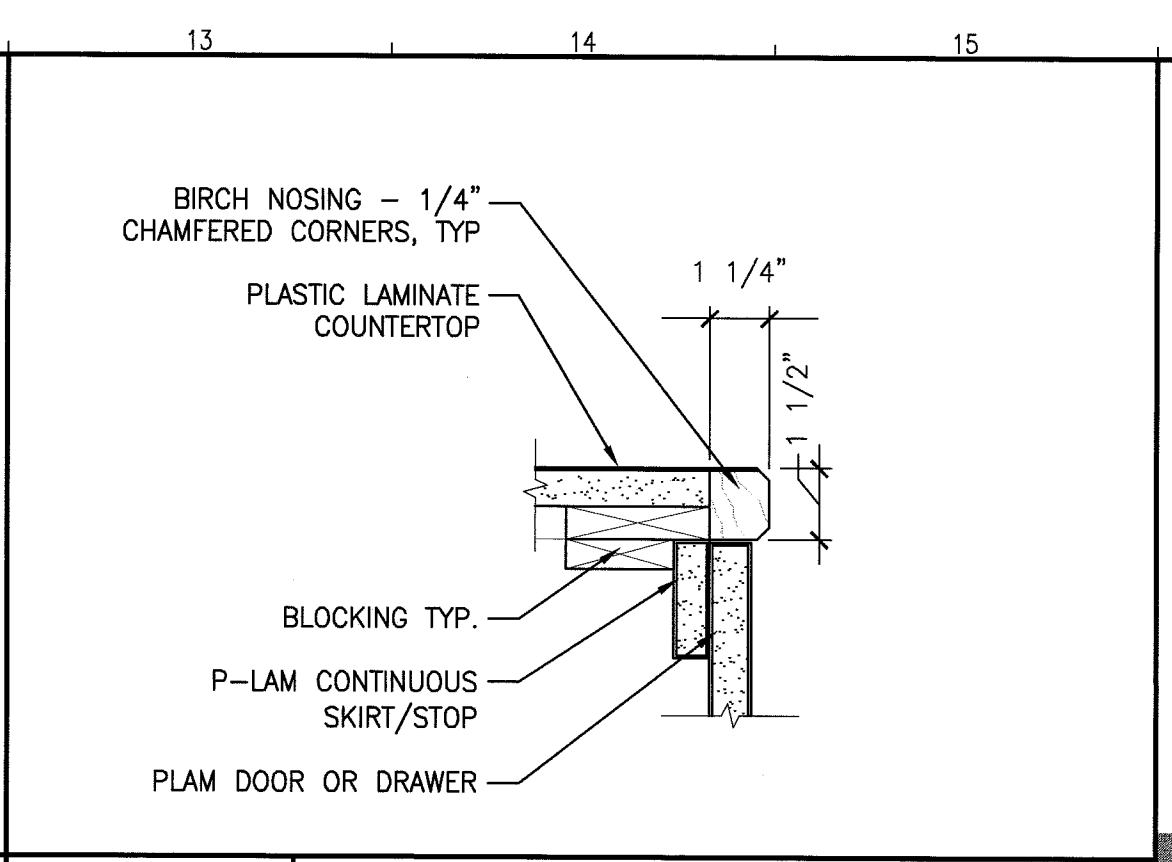
A4 -
- *



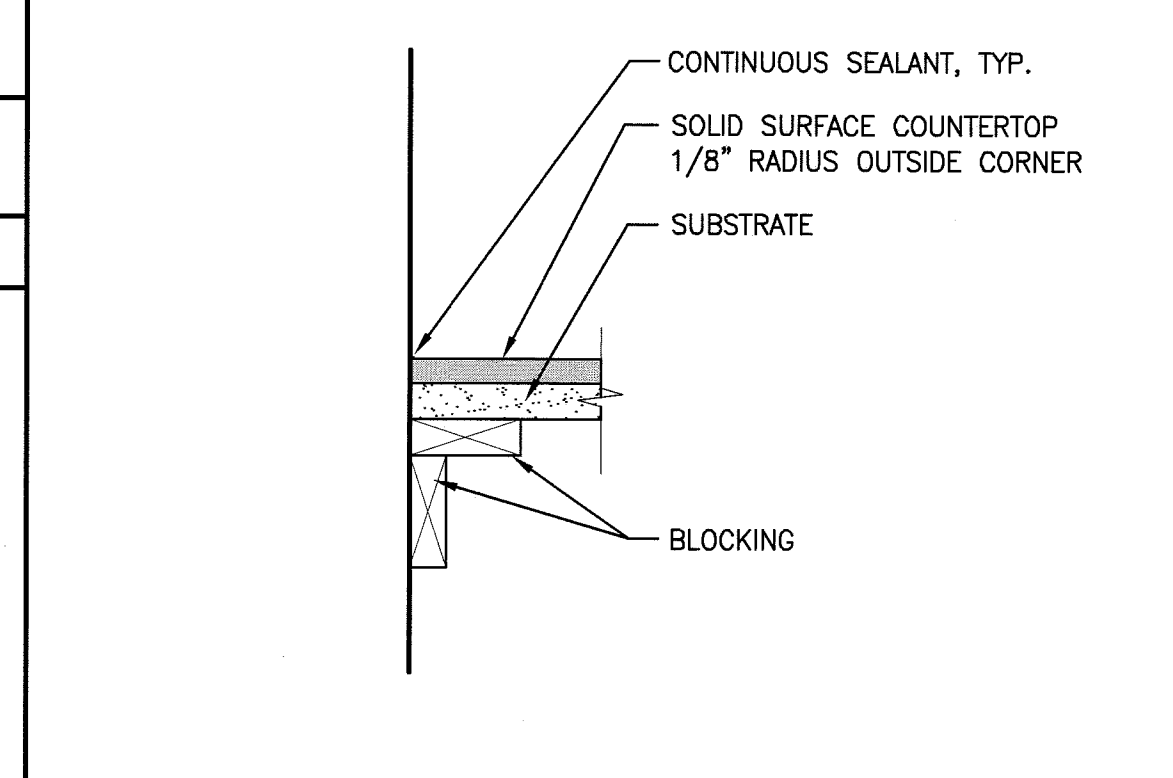
A7 CASEWORK DETAIL
1" = 1'-0" *



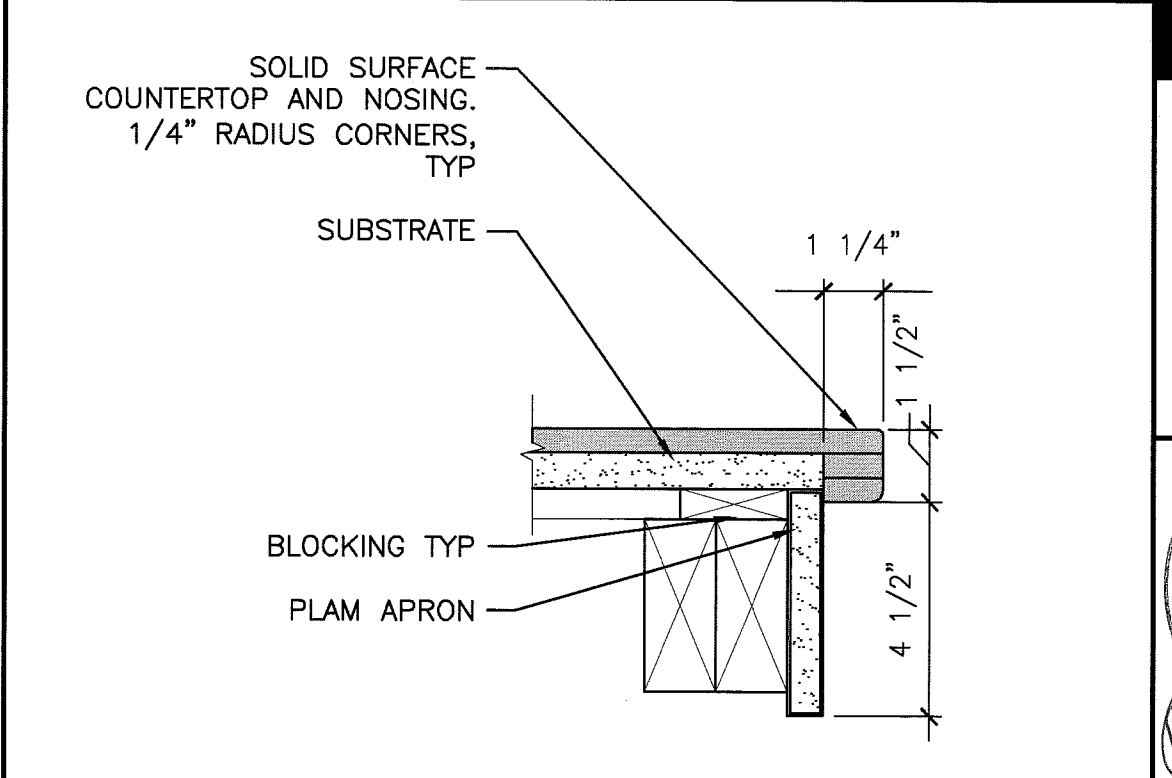
K10 PLAM BACKSPLASH DETAIL
3" = 1'-0" *



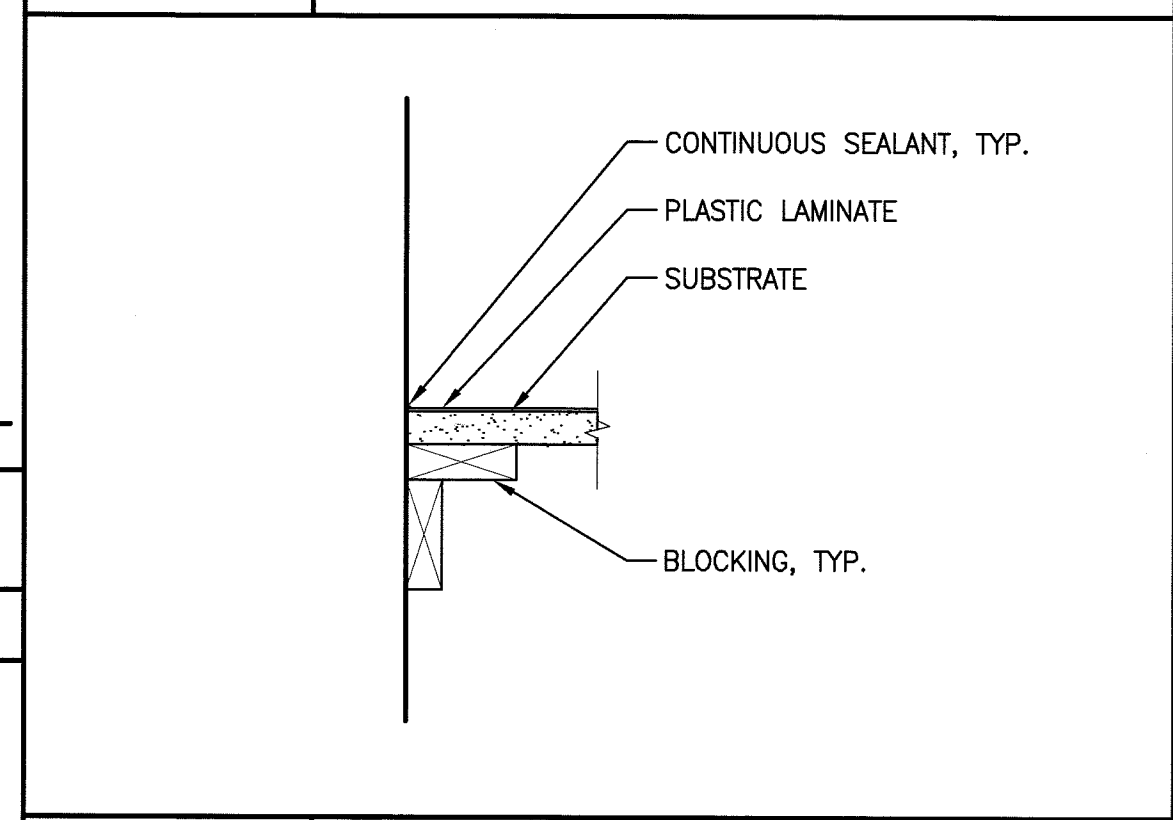
K13 PLAM EDGE DETAIL
3" = 1'-0" *



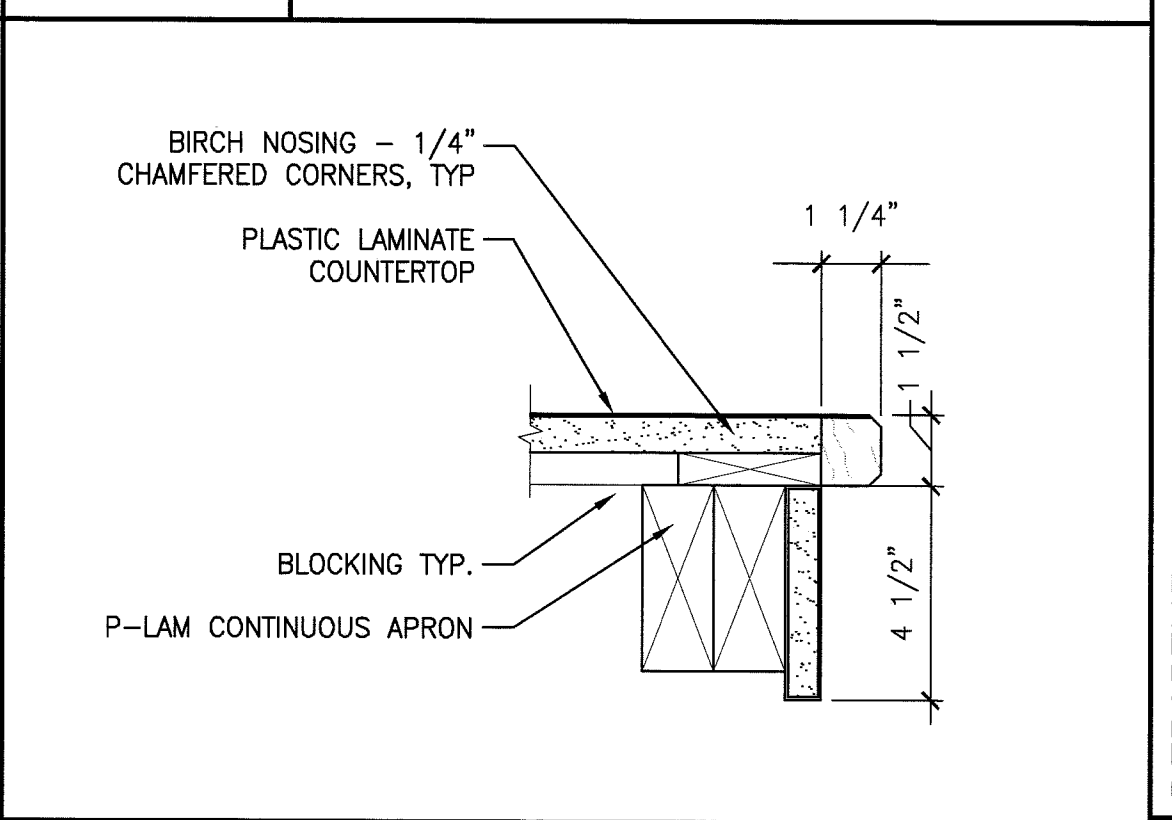
G10 SOLID SURFACE DETAIL
3" = 1'-0" *



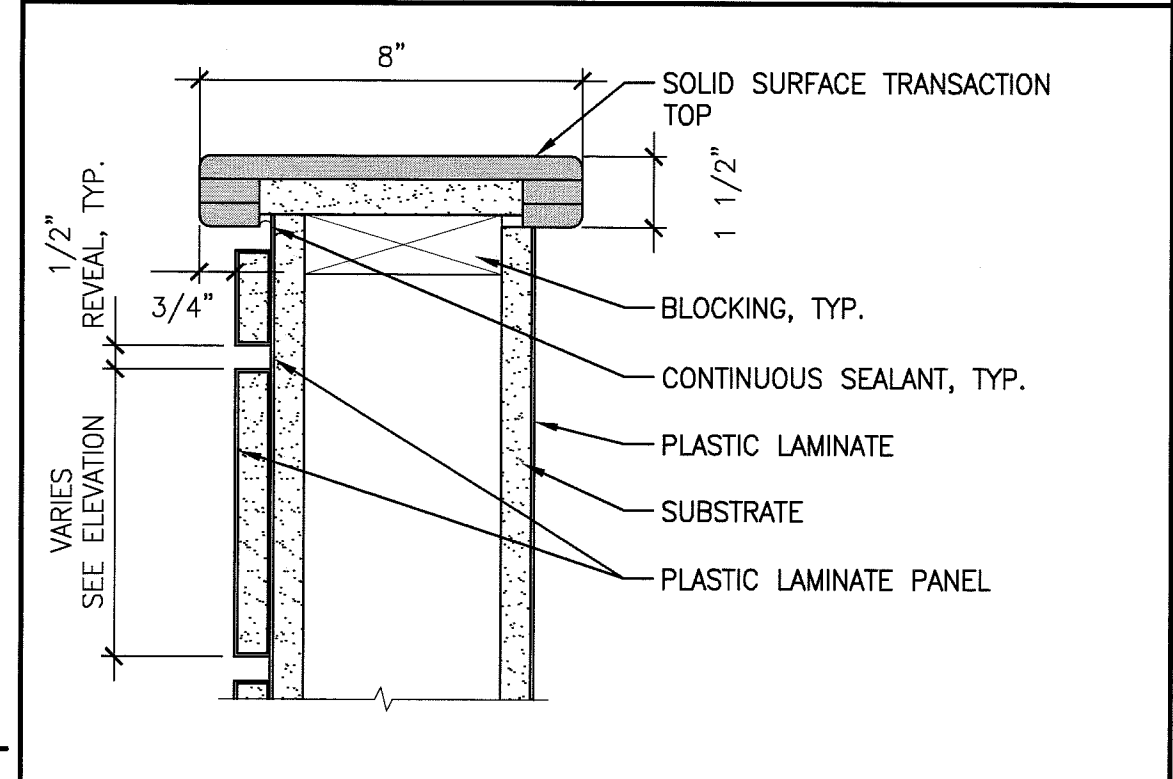
G13 SOLID SURFACE EDGE DETAIL
3" = 1'-0" *



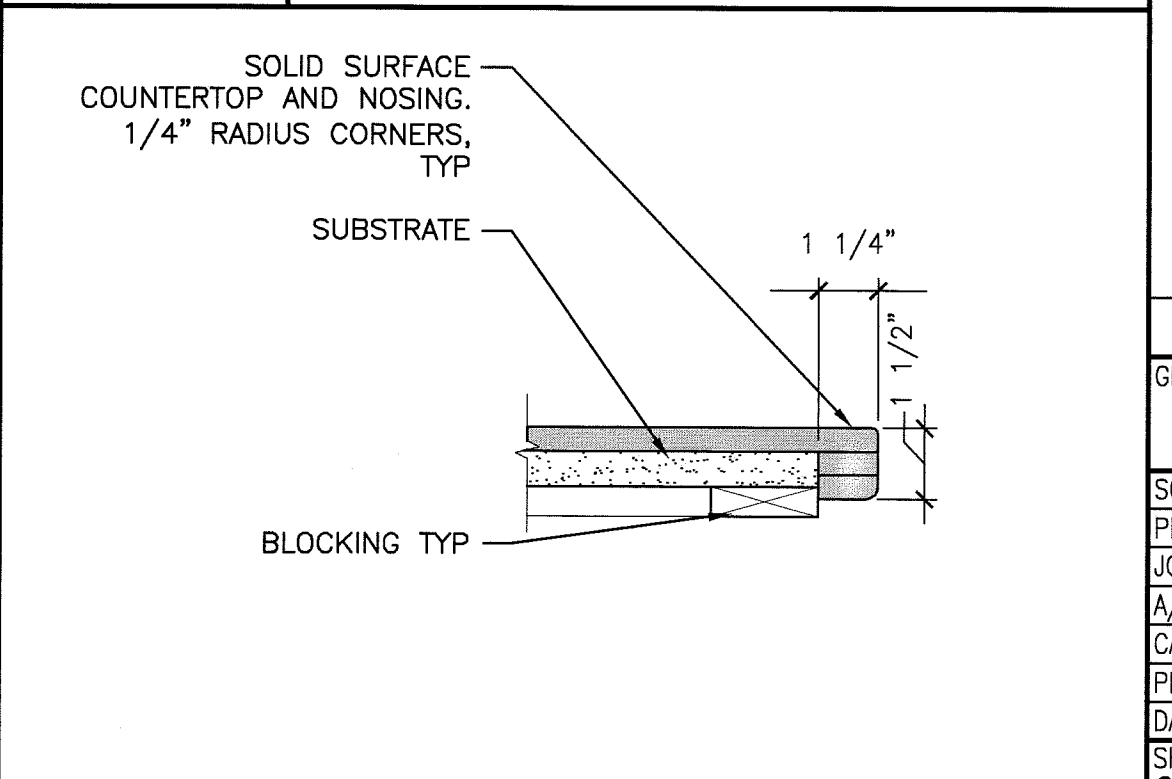
D10 PLAM DETAIL
3" = 1'-0" *



D13 PLAM EDGE DETAIL
3" = 1'-0" *



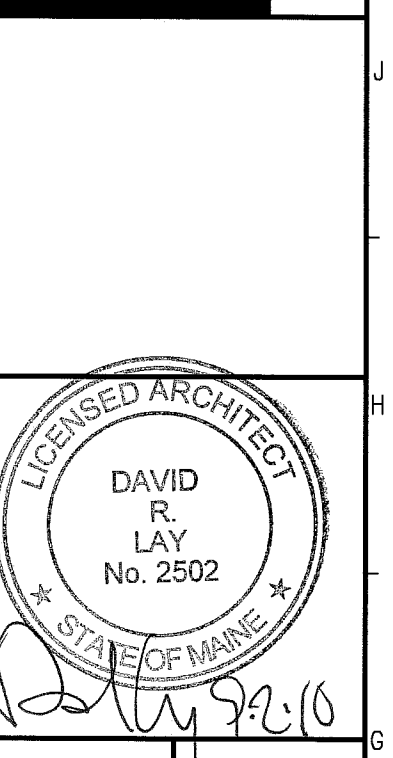
A10 TRANSACTION TOP
3" = 1'-0" *



A13 SOLID SURFACE EDGE DETAIL
3" = 1'-0" *

144 Fore Street/P.O. Box 618
Portland, Maine 04104
tel. (207) 772-3846
fax. (207) 772-1070
www.smrfinc.com

ARCHITECTURE
ENGINEERING
PLANNING
INTERIOR DESIGN
COMMISSIONING



DEPARTMENT OF
VETERAN AFFAIRS - PORTLAND
PORTLAND, MAINE

ISSUE FOR CONSTRUCTION
9-01-10

CURRENT ISSUE STATUS:

REV	DESCRIPTION	DATE
0	ISSUE FOR CONSTRUCTION	9-01-10

GRAPHIC SCALE: 1" = 1'-0"

SCALE: AS NOTED

PROJECT MANAGER: DRL

JC/DRAWN BY: TCM/TCM

A/E OF RECORD: DRL

CAD FILE: AE541-10022

PROJECT NO: 10022

DATE: 9-01-10

SHEET TITLE: CASEWORK DETAILS

SHEET No. **AE541**

© COPYRIGHT 2009 SMRF INC.