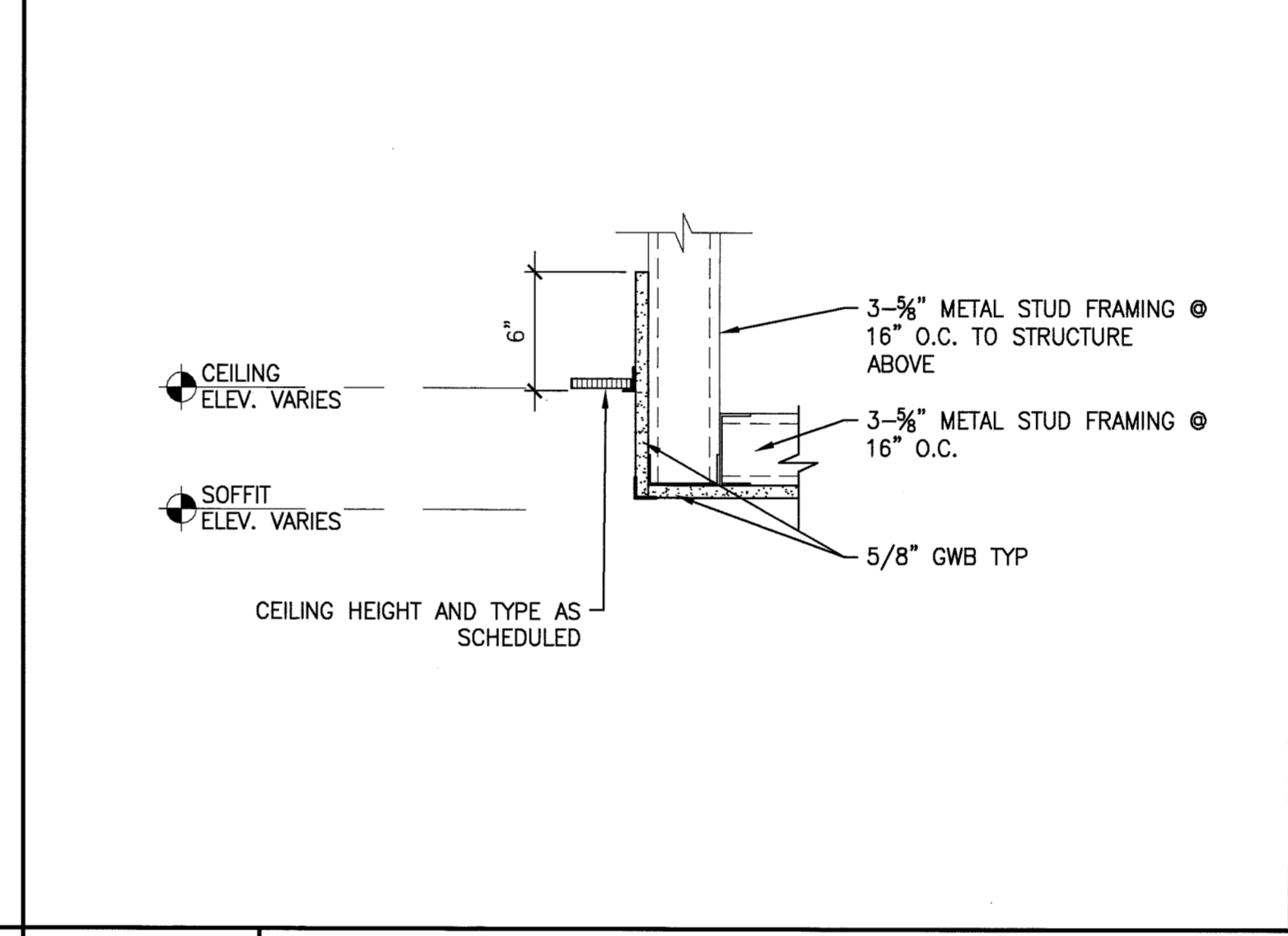
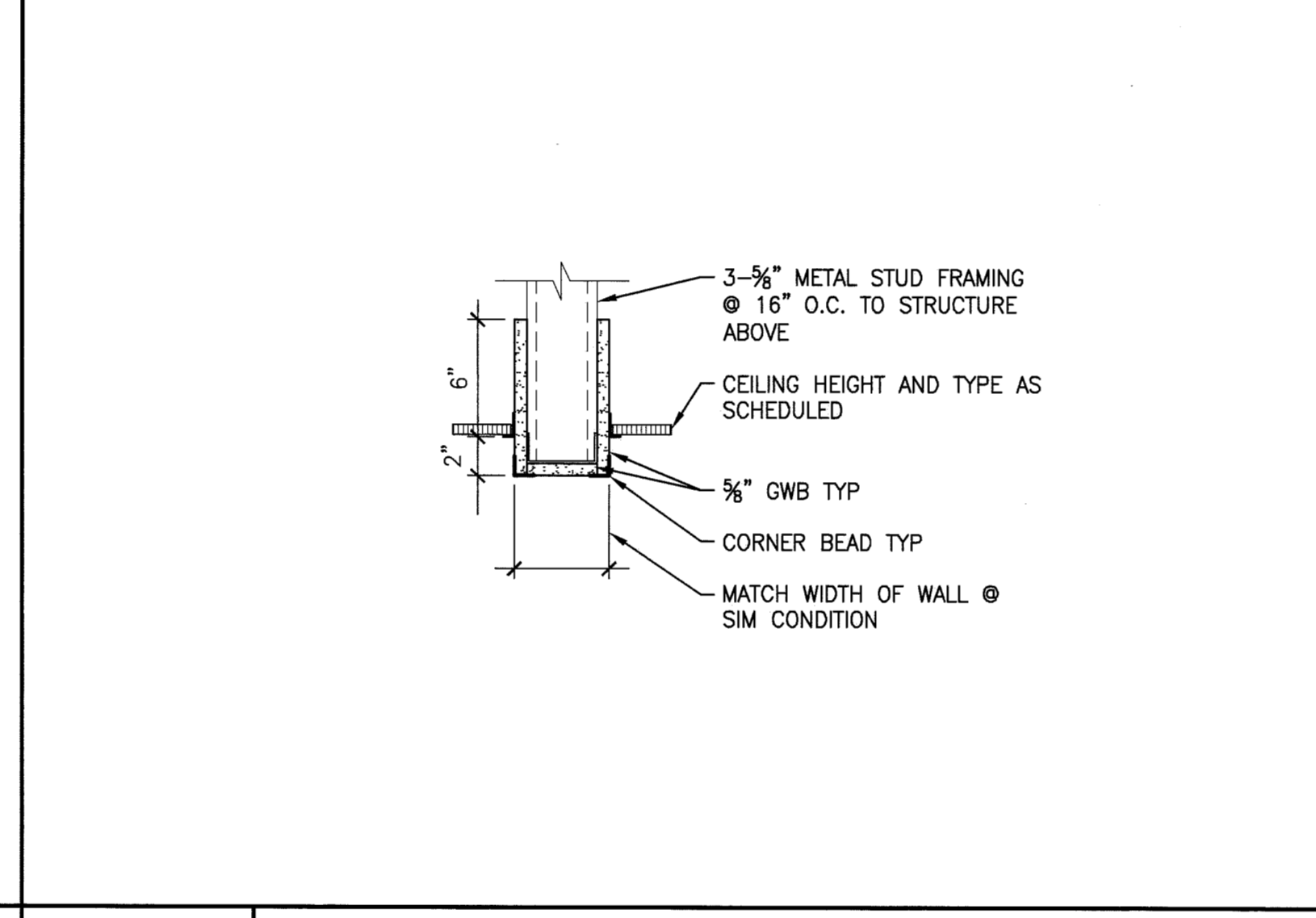
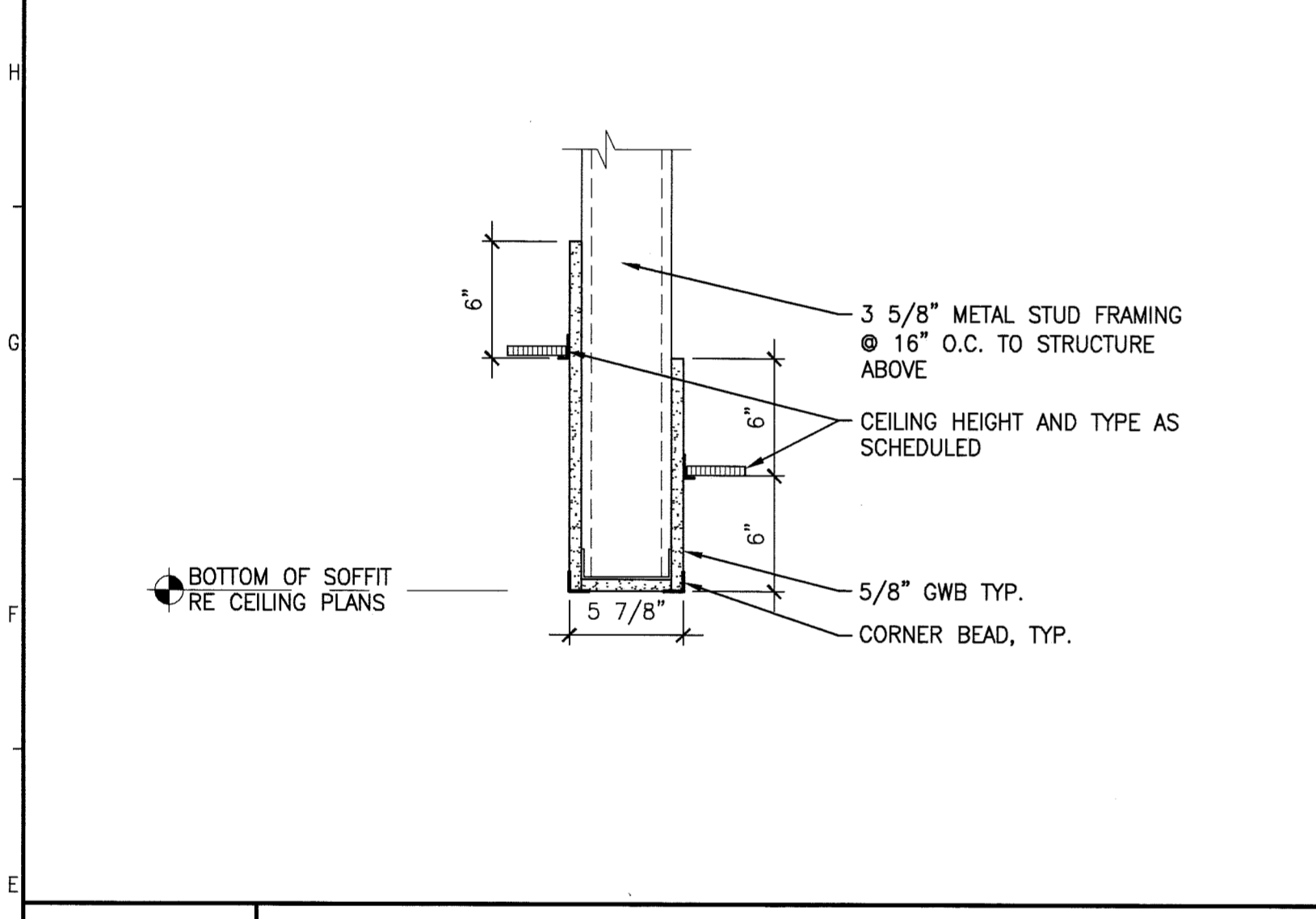


**J1** ROOF HATCH PARALLEL TO JOIST

**J5** ROOF HATCH PERPENDICULAR TO JOIST

1 1/2" = 1'-0" \*

1" = 1'-0" \*



**E1** SOFFIT DETAIL

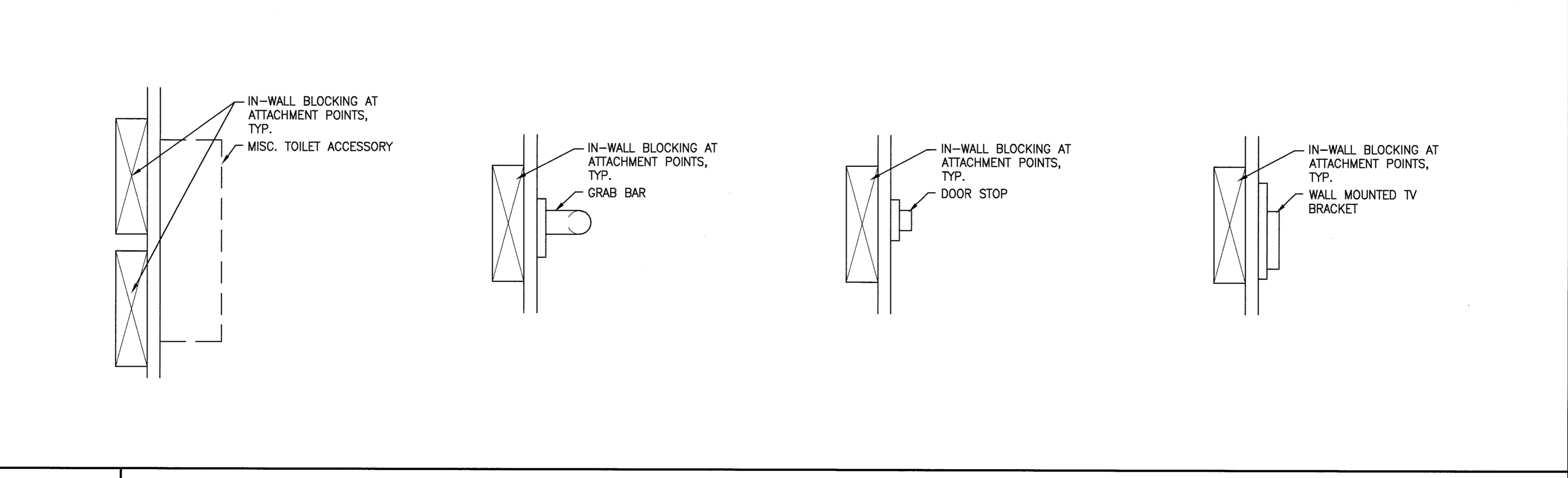
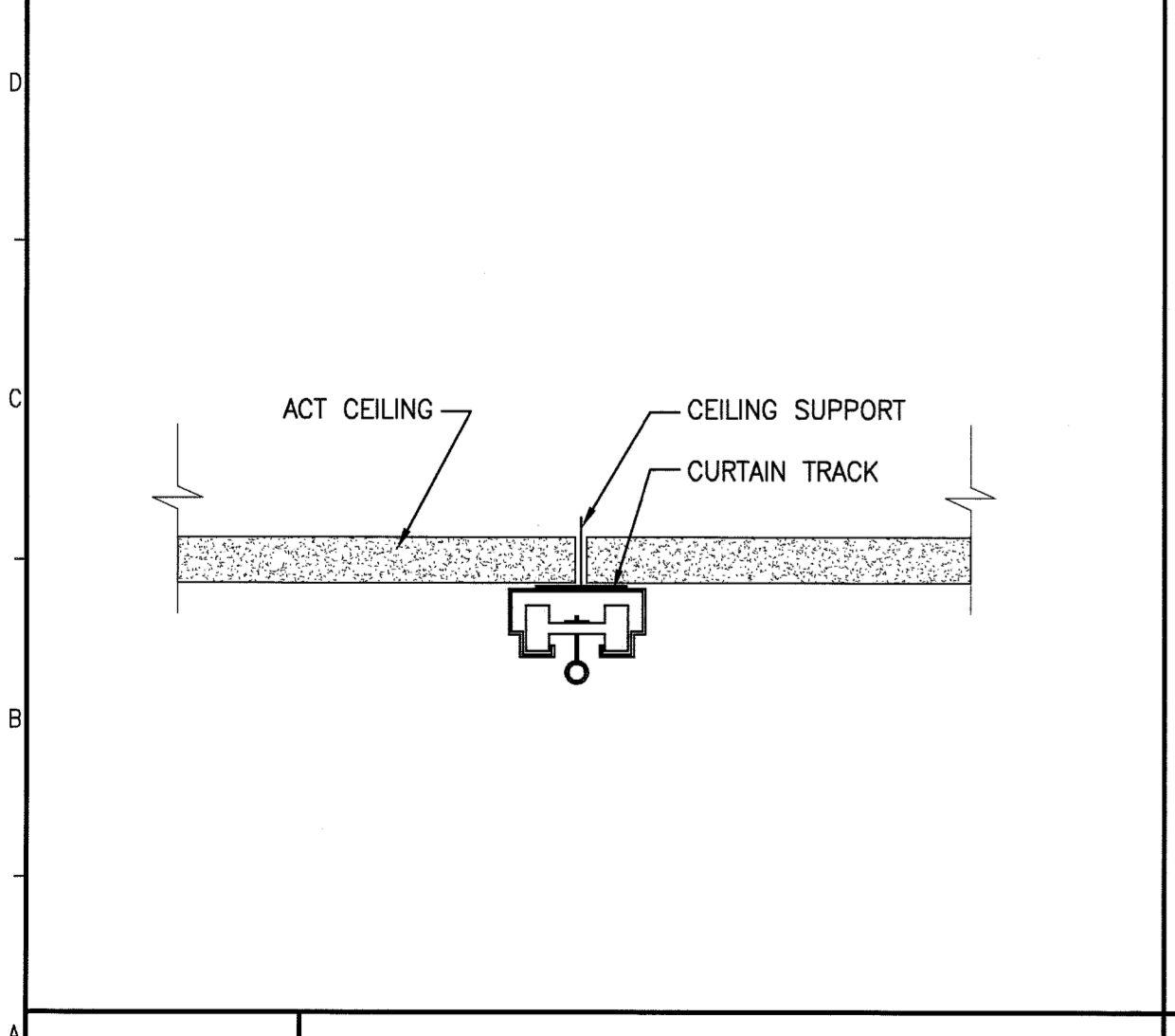
**E5** SOFFIT DETAIL

**E9** SOFFIT DETAIL

1 1/2" = 1'-0" \*

1 1/2" = 1'-0" \*

1 1/2" = 1'-0" \*



**A1** CURTAIN TRACK

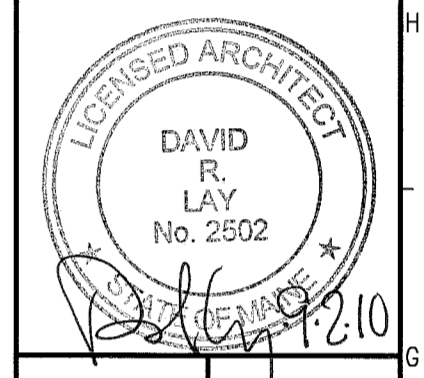
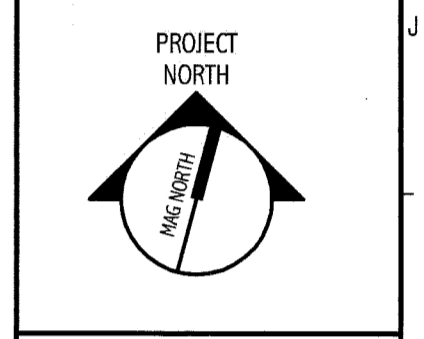
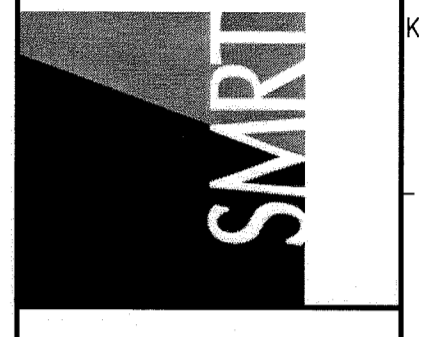
**A4** MISC. BLOCKING

3" = 1'-0" \*

3" = 1'-0" \*

**GENERAL NOTES:**  
1.

144 Fore Street/P.O. Box 618  
Portland, Maine 04104  
tel. (207) 772-3846  
fax (207) 772-1070  
www.smrtinc.com



DEPARTMENT OF  
VETERAN AFFAIRS - PORTLAND  
PORTLAND, MAINE

ISSUE FOR CONSTRUCTION  
9-01-10

CURRENT ISSUE STATUS:

REV	DESCRIPTION	DATE
0	ISSUE FOR CONSTRUCTION	9-01-10

GRAPHIC SCALE:  
0" 1"

SCALE: AS NOTED

PROJECT MANAGER: DRL

JC/DRAWN BY: TCM/KMM

A/E OF RECORD: DRL

CAD FILE: AE502-10022

PROJECT NO: 10022

DATE: 8-09-10

SHEET TITLE:  
DETAILS

SHEET No. **AE502**  
© COPYRIGHT 2009 SMRT INC.