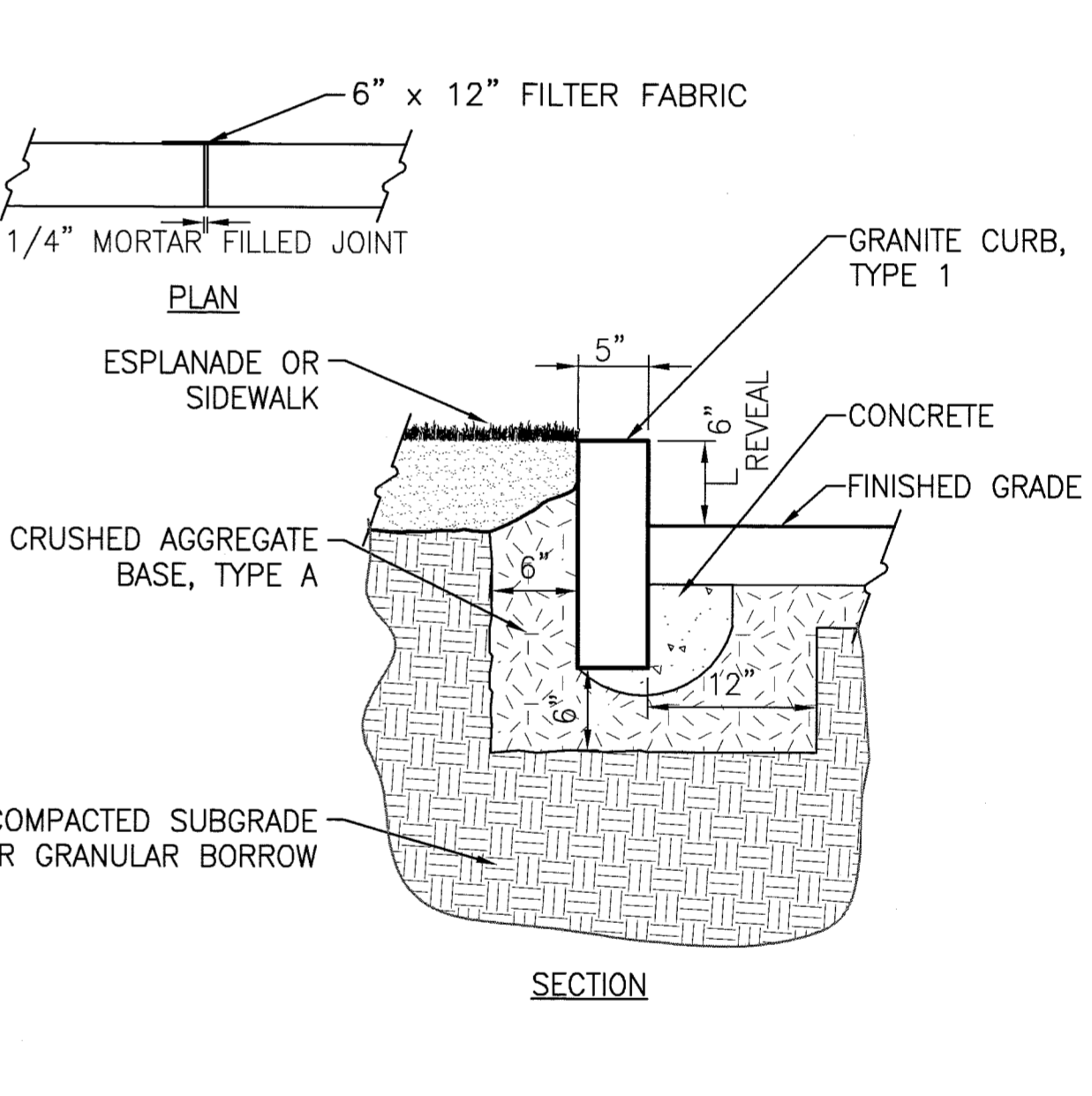
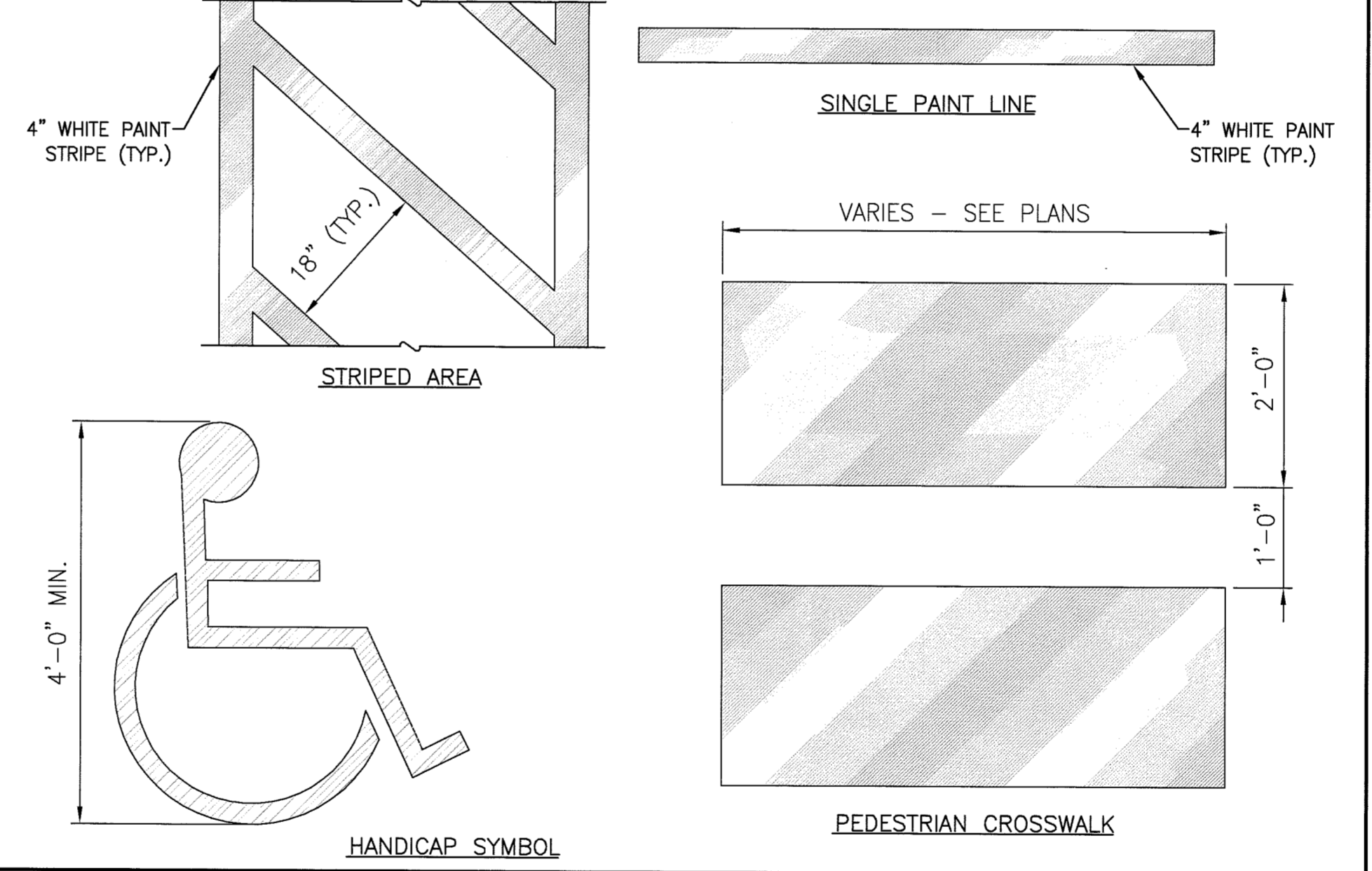
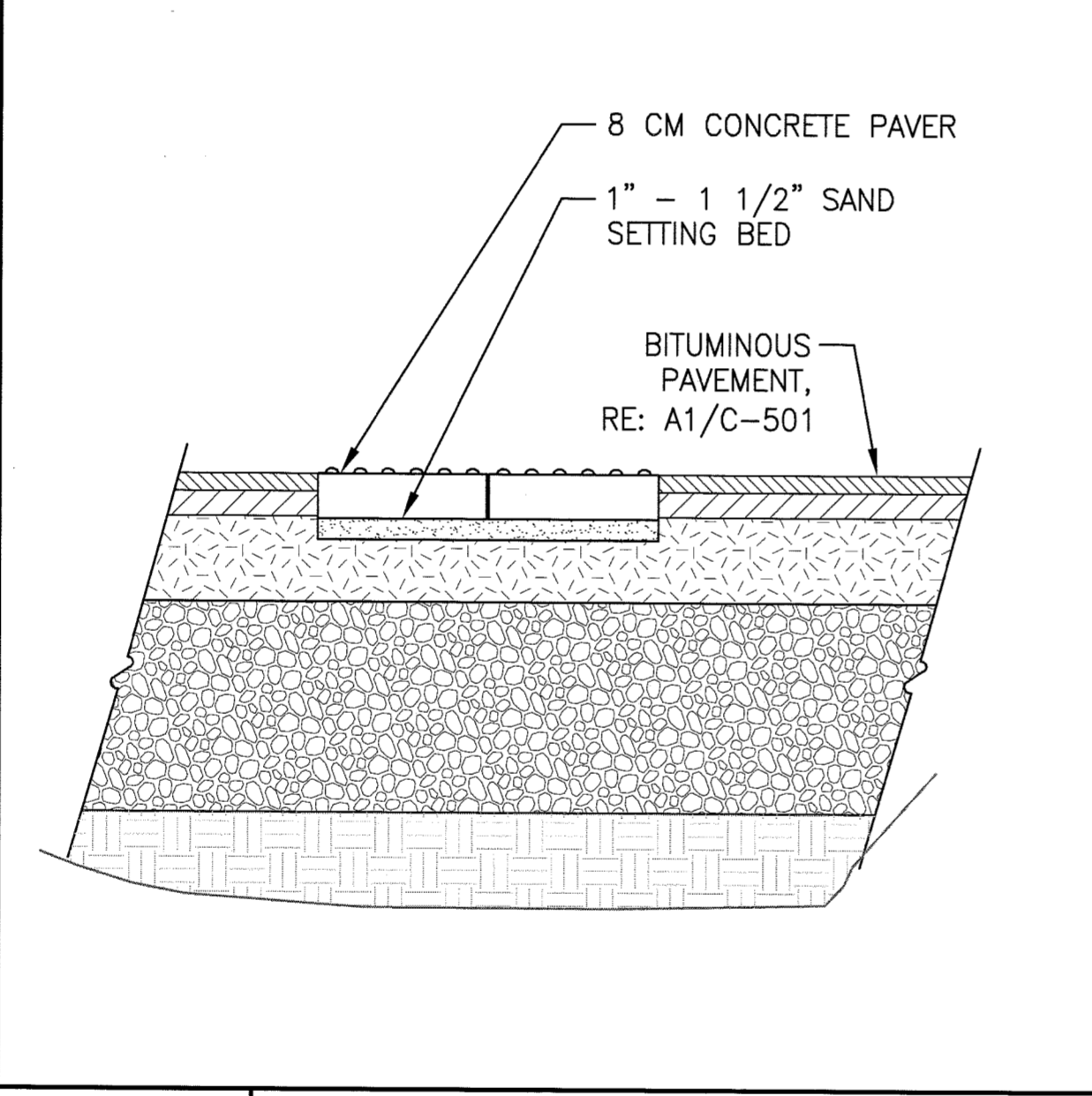
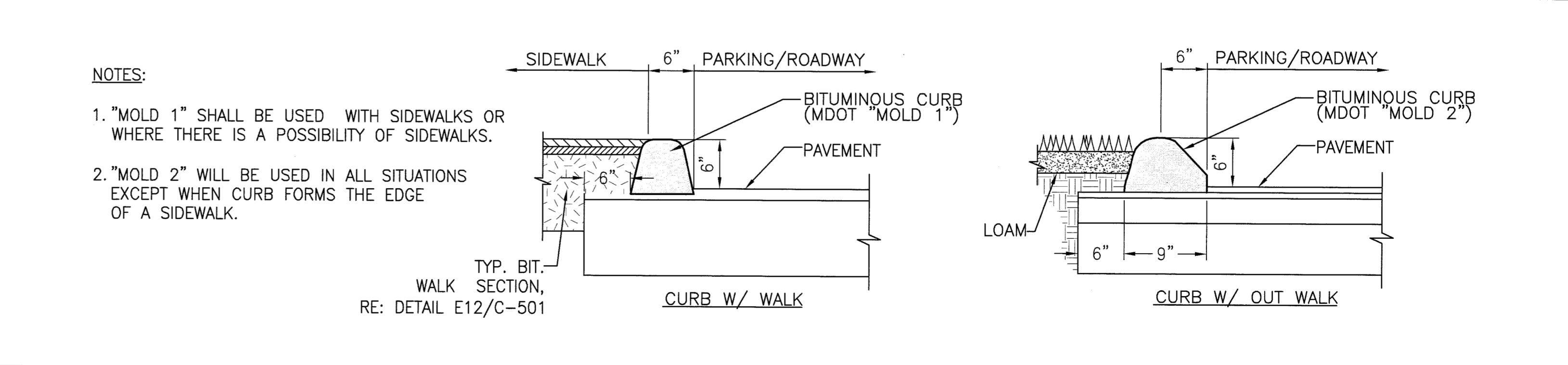
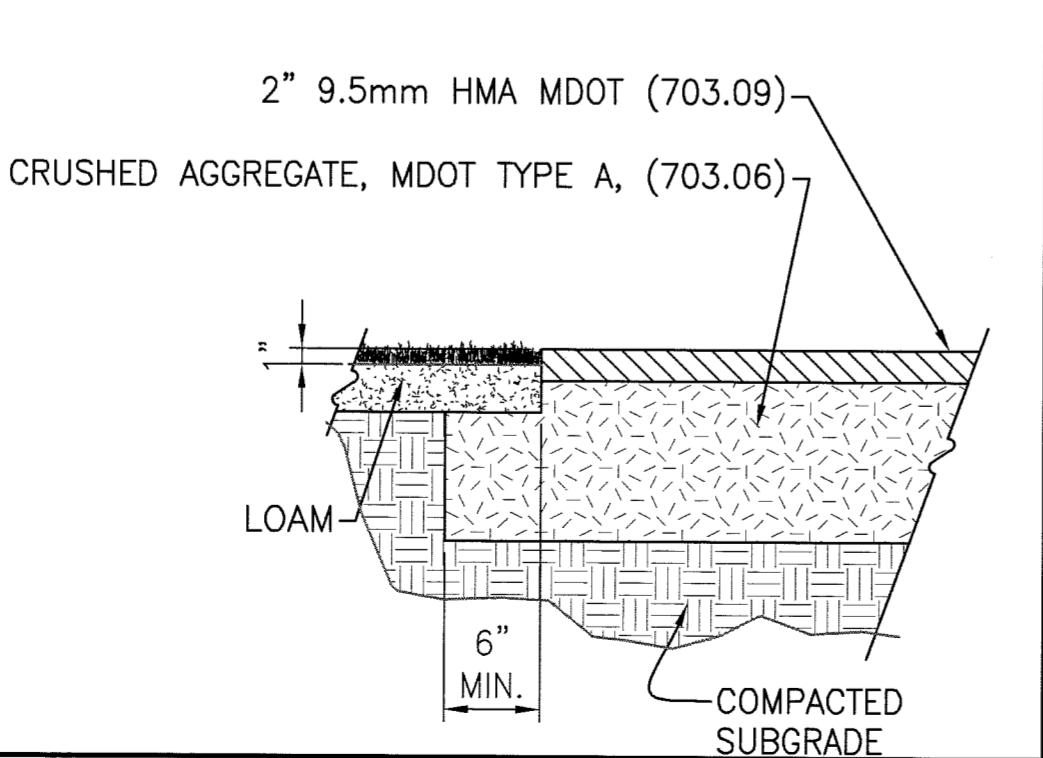
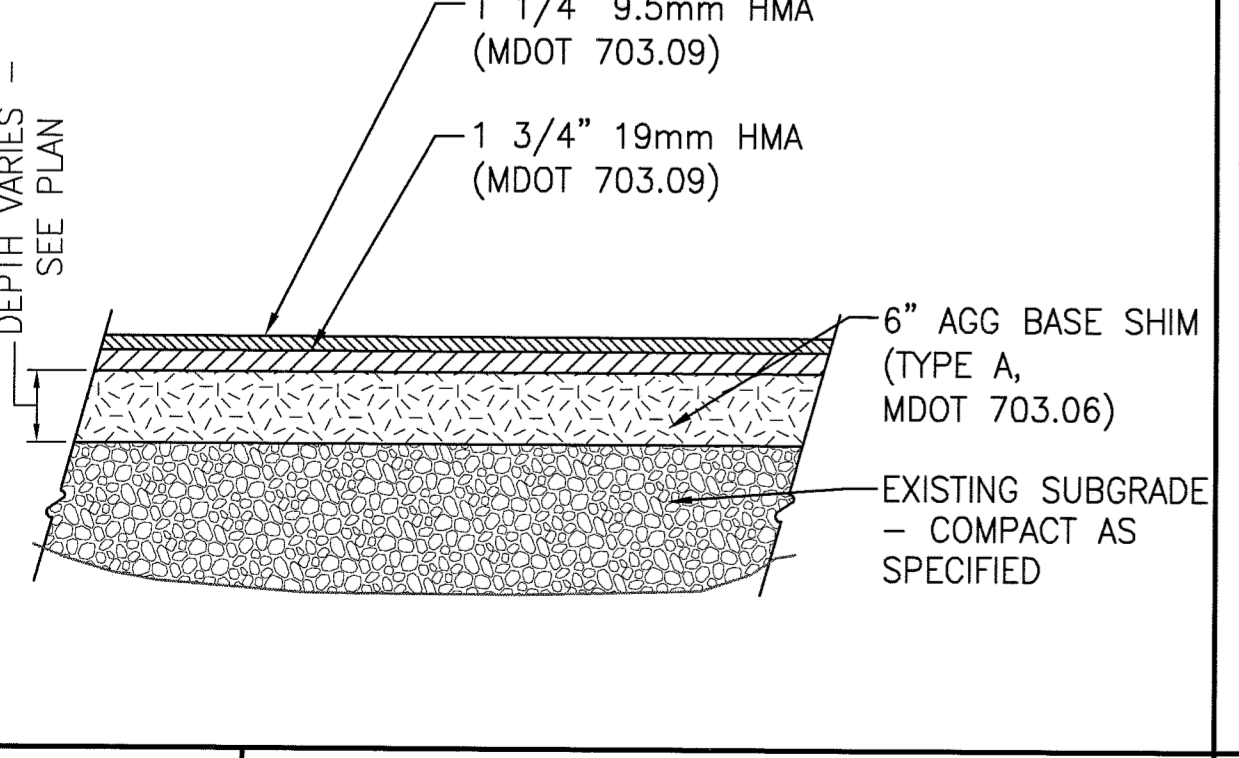


H4	SCREEN FENCE DETAIL	H10	FLAGPOLE BASE	H13	BOLLARD
NTS	CP401	3/4" = 1'-0"	CP401	1/2" = 1'-0"	CP401



D1	BOLLARD SIGN	D4	ADA PAVER SECTION	D7	PAINTED STRIPING	D12	VERTICAL GRANITE CURB
3/4" = 1'-0"	CP401	3/4" = 1'-0"	CP401	3/4" = 1'-0"	CP401	1" = 1'-0"	CP401



A1	BITUMINOUS PAVEMENT	A4	BITUMINOUS WALK	A7	BITUMINOUS CURB
1" = 1'-0"	CP401	1" = 1'-0"	CP401	1" = 1'-0"	CP401

144 Fore Street/P.O. Box 618
Portland, Maine 04104
tel. (207) 772-3846
fax. (207) 772-1070
www.smrtinc.com

ARCHITECTURE
ENGINEERING
PLANNING
INTERIOR DESIGN
COMMISSIONING

SMRTI

MARK G. JOHNSON
ARCHITECT
LICENSED LANDSCAPE ARCHITECT
LICENSED SURVEYOR

DEPARTMENT OF
VETERAN AFFAIRS - PORTLAND
PORTLAND, MAINE

ISSUE FOR CONSTRUCTION
9-01-10

CURRENT ISSUE STATUS:

REV	DESCRIPTION	DATE
0	ISSUE FOR CONSTRUCTION	9-01-10

GRAPHIC SCALE:
0" = 1"

SCALE: AS SHOWN
PROJECT MANAGER: DRJ
JC/DRAWN BY: WSM
A/E OF RECORD: MGL
CAD FILE: C-501-10022
PROJECT NO: 10022
DATE: 9-01-10

SHEET TITLE:
SITE DETAILS

SHEET No. C-501
© COPYRIGHT 2009 SMRTI INC.