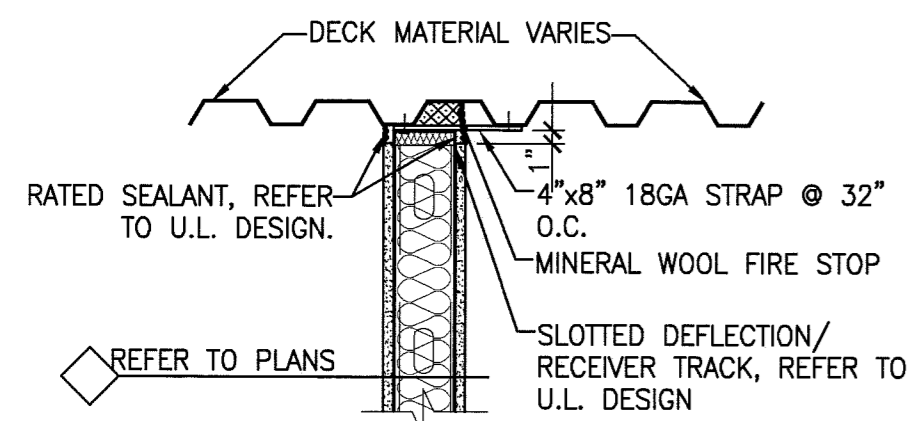


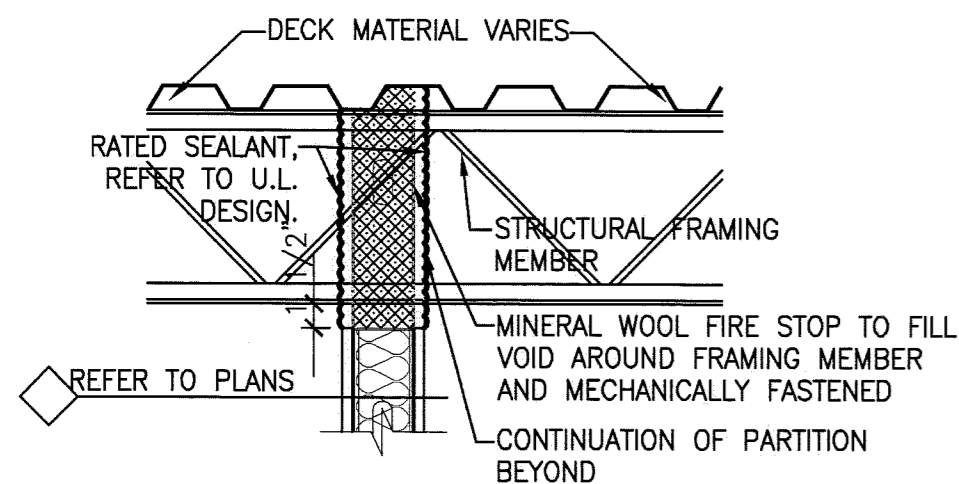
**Gypsum Wall (Rated)
(Perpendicular to Deck Flutes)**

U.L. DESIGN-HW-D-0027
(1 HOUR, REFER TO U.L. DESIGN FOR SPECIFIC REQUIREMENTS)



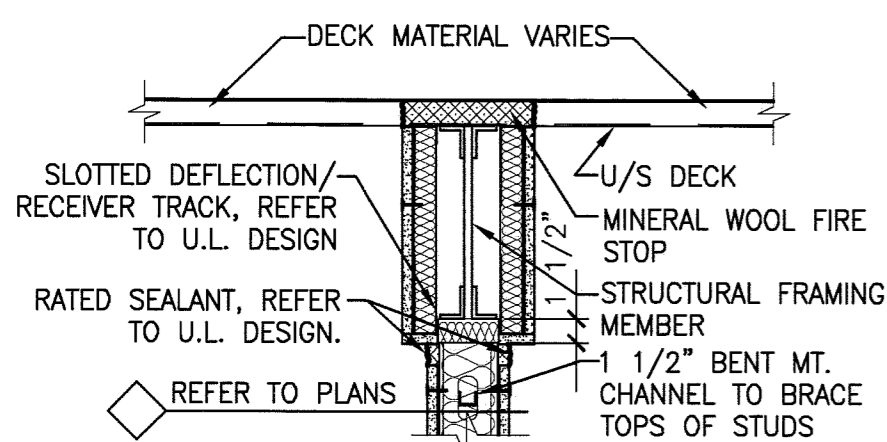
**Gypsum Wall (Rated)
(Parallel to Deck Flutes)**

U.L. DESIGN-HW-D-0027
(1 HOUR, REFER TO U.L. DESIGN FOR SPECIFIC REQUIREMENTS)



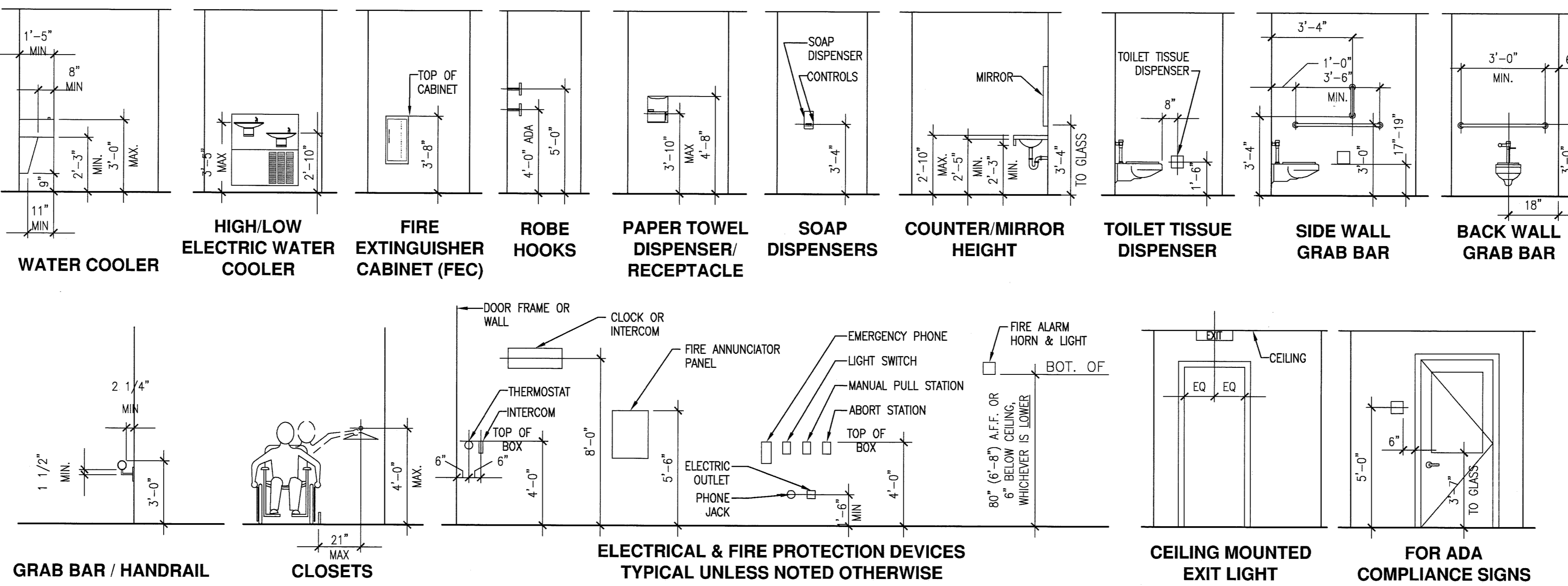
**Gypsum Wall (Rated)
(Perpendicular to Structure)**

U.L. DESIGN-HW-D-0027
(1 HOUR, REFER TO U.L. DESIGN FOR SPECIFIC REQUIREMENTS)



**Gypsum Wall (Rated)
(Parallel to Structure)**

U.L. DESIGN-HW-D-0027
(1 HOUR, REFER TO U.L. DESIGN FOR SPECIFIC REQUIREMENTS)



H1 ADA TYPICAL MOUNTING HEIGHTS

N.T.S.

*

PARTITION LEGEND

S1	PARTITION (PROVIDE 6" STUDS WHERE INDICATED) (1) LAYER 5/8" INTERIOR GYPSUM BOARD TO 6" ABOVE CEILING 3 5/8" STEEL STUDS @ 16" O.C. TO 6" ABOVE CEILING, BRACE AS REQUIRED UNFACED, GLASS-FIBER BLANKET INSULATION TO 6" ABOVE CEILING (1) LAYER 5/8" INTERIOR GYPSUM BOARD TO 6" ABOVE CEILING	
S2	PARTITION (1) LAYER 5/8" INTERIOR GYPSUM BOARD TO 6" ABOVE CEILING 3 5/8" STEEL STUDS @ 16" O.C. TO 6" ABOVE CEILING, BRACE AS REQUIRED UNFACED, GLASS-FIBER BLANKET INSULATION TO 6" ABOVE CEILING (1) LAYER 5/8" ABUSE RESISTANT INTERIOR GYPSUM BOARD TO 6" ABOVE CEILING (OUTSIDE OF ROOM ENCLOSURE)	
S3	1 HOUR FIRE RATED PARTITION: UL DESIGN U419 (1) LAYER 5/8" INTERIOR GYPSUM BOARD TO CEILING, FIRESTOPPING SEALANT @ PERIMETERS 20 GAGE 3 5/8" STEEL STUDS @ 16" O.C. UNFACED, GLASS-FIBER BLANKET INSULATION STUD INFILL TO DECK (1) LAYER 5/8" INTERIOR GYPSUM BOARD TO DECK. PROVIDE U.L. TOP OF WALL CONNECTION TO DECK PER A1/G1002	
S4	1 HOUR FIRE RATED PARTITION: UL DESIGN U419 (1) LAYER 5/8" INTERIOR GYPSUM BOARD TO DECK, FIRESTOPPING SEALANT @ PERIMETERS 20 GAGE 6" STEEL STUDS @ 16" O.C. UNFACED, GLASS-FIBER BLANKET INSULATION STUD INFILL TO DECK (1) LAYER 5/8" INTERIOR GYPSUM BOARD TO DECK. PROVIDE U.L. TOP OF WALL CONNECTION TO DECK PER A1/G1002	
S5	PARTITION (1) LAYER 5/8" INTERIOR GYPSUM BOARD TO 6" ABOVE CEILING 6" COLD FORM 18GA. STEEL STUDS @ 16" O.C. TO 6" ABOVE CEILING, BRACE AS REQUIRED SEE SPECS. SPRAY FOAM INSULATION TO 6" ABOVE CEILING VAPOR BARRIER (1) LAYER 3/4" PLYWOOD SHEATHING TO 6" ABOVE CEILING (TAGGED SIDE) MOISTURE BARRIER METAL SHINGLES	
F	FURRING 1 5/8" STEEL STUDS @ 16" O.C. TO 6" ABOVE CEILING (1) LAYER 5/8" INTERIOR GYPSUM BOARD TO 6" ABOVE CEILING TAGGED SIDE, WHERE INDICATED TO ENCLOSE A CHASE WITH A SECOND PARTITION. BRACE STUDS THROUGH CHASE AT 48" SPACING PER UL DESIGN U458. BRACE AT OTHER LOCATIONS SIMILARLY BACK TO FURRED WALL. FILL VOID BETWEEN FURRING AT INTERSECTING PARTITIONS WITH ACOUSTICAL BATTS. CONTRACTOR OPTION: "Z" FURRING	

EXTERIOR WALL LEGEND

W1	EXTERIOR WALL METAL SHINGLES WEATHER BARRIER EXTERIOR PLYWOOD SHEATHING 3 1/2" HORIZ. Z-FURRING @ 24" O.C., OUTSIDE LEG DOWN 3" SPRAY-APPLIED FOAM INSULATION BETWEEN FURRING EXISTING EXTERIOR WALL CONSTRUCTION (MASONRY DOUBLE WYTHS) 2 1/2" Z-FURRING @ 24" O.C. VAPOR BARRIER 5/8" GYPSUM BOARD	
W2	EXTERIOR WALL METAL SHINGLE WEATHER BARRIER EXTERIOR PLYWOOD SHEATHING 3 1/2" HORIZ. Z-FURRING @ 24" O.C., OUTSIDE LEG DOWN 3" SPRAY-APPLIED FOAM INSULATION BETWEEN FURRING EXISTING EXTERIOR WALL CONSTRUCTION (MASONRY SINGLE WYTH) 2 1/2" Z-FURRING @ 24" O.C. VAPOR BARRIER 5/8" GYPSUM BOARD	
W3	EXTERIOR WALL (REFER TO ALTERNATES) PAINT EXISTING EXTERIOR WALL CONSTRUCTION (REPAIR ALL OPENINGS) 1" GAP 2 1/2" STL STUDS @ 16" O.C. BRACED TO BACK-UP AT 8'-0" O.C. 3" SPRAY-APPLIED FOAM INSULATION BEHIND AND BETWEEN STUDS VAPOR BARRIER 5/8" GYPSUM BOARD	
W4	STUD INFILL WALL METAL SHINGLES MOISTURE BARRIER EXTERIOR PLYWOOD SHEATHING 3 1/2" HORIZ. Z-FURRING @ 24" O.C., OUTSIDE LEG DOWN 3" SPRAY-APPLIED FOAM INSULATION BETWEEN FURRING 5/8" GYPSUM SHEATHING 6" COLD FORMED FRAMING @ 16" O.C. (ALIGN EXTERIOR FACE W/ EXISTING BLOCK) AIR SPACE 2 1/2" STL STUDS @ 16" O.C. (ALIGN INTERIOR W/ FACE OF NEW FURRING). BRACED TO 6" STUD WALL @ 8'-0" O.C. VAPOR BARRIER 5/8" GYPSUM BOARD	

GENERAL NOTES:

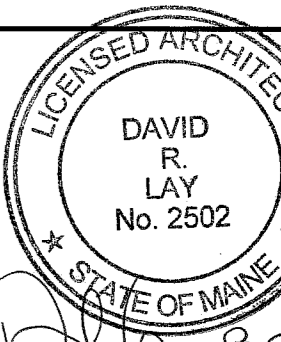
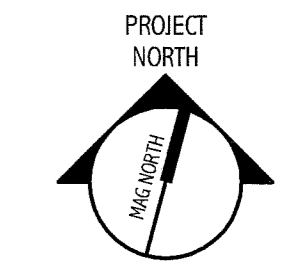
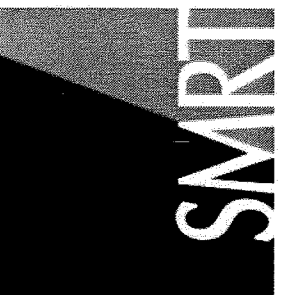
1. SEE G1001 FOR PROJECT GENERAL NOTES

PARTITION NOTES:

- PARTITION TYPE DRAWINGS ARE GRAPHIC REPRESENTATION ONLY, THEY ARE NOT TO SCALE TYPICALLY.
- FOR LESS THAN FULL HEIGHT PARTITIONS, BRACE TO ROOF STRUCTURE OR DIAGONALLY ACROSS CORNERS AT ALL UNBRACED PARTITION HORIZONTAL LENGTHS OVER 8'. PROVIDE HEAVIER GAUGE STUDS AT JAMBS PER SPECIFICATION AND BRACE EACH JAMB TO ROOF STRUCTURE OR DIAGONALLY ACROSS CORNERS. PROVIDE ACOUSTIC INSULATION IN ALL WALL CAVITIES AND SEAL SILL TRACKS AND ALL PENETRATIONS WITH ACOUSTIC CAULK. OFFSET ELECTRICAL BOXES ON OPPOSITE SIDES OF PARTITION NOT LESS THAN 16". ALL PARTITIONS ARE TO BE CONSTRUCTED FOR ACOUSTICAL PERFORMANCE OF NOT LESS THAN STC 40. REFER TO PLANS FOR LOCATIONS AND RATINGS OF FIRE-RATED PARTITIONS AND CONSTRUCT TO CORRESPONDING UL DESIGN. WHERE FINISH PLANS INDICATE CERAMIC TILE ON WALLS, SUBSTITUTE SPECIFIED TILE BACKER FOR GYPSUM BOARD.
- ALL BATT INSULATION IS TO BE FULL THICKNESS AND FULL HEIGHT UNLESS NOTED OTHERWISE.
- REFER TO ARCHITECTURAL DRAWING AF101 FOR ROOM FINISHES.
- PROVIDE SPECIFIED WALL FINISH SUBSTRATE IN PLACE OF GYPSUM BOARD WHERE TILE IS SCHEDULED.
- TYPICAL TOP OF WALL DETAILS AND THROUGH WALL PENETRATION DETAILS ARE TO BE COORDINATED FOR EACH INDIVIDUAL WALL CONDITION BY THE CONTRACTOR PRIOR TO PROCEEDING WITH WORK. NOTIFY ARCHITECT IN WRITING OF ANY DISCREPANCIES OR INCONSISTENCIES BETWEEN THE DETAIL PROVIDED AND THE TRUE WALL CONDITION. FAILURE TO REPORT ANY DISCREPANCIES WITHIN THESE CONSTRUCTION DOCUMENTS TO THE ARCHITECT WILL NOT BE GROUNDS FOR ADDITIONAL COST OR CHANGE ORDERS.
- INTERIOR GYPSUM BOARD SHALL HAVE CONTROL JOINTS AT 30'-0" O.C. MAX. AND SHALL BE LOCATED ABOVE WINDOW AND DOOR FRAMES WHEREVER POSSIBLE, ALIGNING WITH THE JAMB OF THE FRAME OR AS INDICATED.
- (U.L.) DESIGN NUMBERS DESCRIBED ARE FROM UNDERWRITERS LABORATORIES FIRE RESISTANCE RATINGS DIRECTORY.

144 Fore Street/P.O. Box 618
Portland, Maine 04104
tel. (207) 772-3846
fax. (207) 772-1070
www.smrfinc.com

ARCHITECTURE
ENGINEERING
PLANNING
INTERIOR DESIGN
COMMISSIONING



DEPARTMENT OF
VETERAN AFFAIRS - PORTLAND
PORTLAND, MAINE

ISSUE FOR CONSTRUCTION
9-01-10

CURRENT ISSUE STATUS:

REV	DESCRIPTION	DATE
0	ISSUE FOR CONSTRUCTION	9-01-10

GRAPHIC SCALE:
0" 1"

SCALE: AS NOTED
PROJECT MANAGER: DRL
JC/DRAWN BY: TCM/TCM
A/E OF RECORD: DRL
CAD FILE: G1002-10022
PROJECT NO: 10022

DATE:
SHEET TITLE:
GENERAL INFORMATION

SHEET No. **G1002**
© COPYRIGHT 2009 SMRT INC.

A1 TOP OF WALL DETAILS & THRU WALL PENETRATION DETAILS

N.T.S.

A8 PARTITION & EXTERIOR WALL LEGENDS

N.T.S.

A13 KEY PLAN

N.T.S.