



## Maintaining and Servicing Your Fireplace

### Fireplace Maintenance

Although the frequency of your fireplace servicing and maintenance will depend on use and the type of installation, you should have a qualified service technician perform an application check-up at the beginning of each heating season. See the table below for specific guidelines regarding each fireplace maintenance task.

### IMPORTANT: TURN OFF THE GAS BEFORE SERVICING YOUR FIREPLACE.

#### Replacing old ember material

**Frequency:** Once annually, during the checkup.

**By:** Qualified service technician.

**Task:** Brush away loose ember material near the burner.

Replace old ember material with new dime-size and shape pieces. Save the remaining ember material and repeat this procedure at your next servicing. For more information, see

#### Placing Ember Material

#### Cleaning Burner and Controls

**Frequency:** Once annually.

**By:** Qualified service technician.

**Task:** Brush or vacuum the control compartment, fireplace logs and burner areas surrounding the logs.

#### Checking Flame Patterns, Flame Height

**Frequency:** Periodically.

**By:** Qualified service technician/Home owner.

**Task:** Make a visual check of your fireplace's flame patterns.

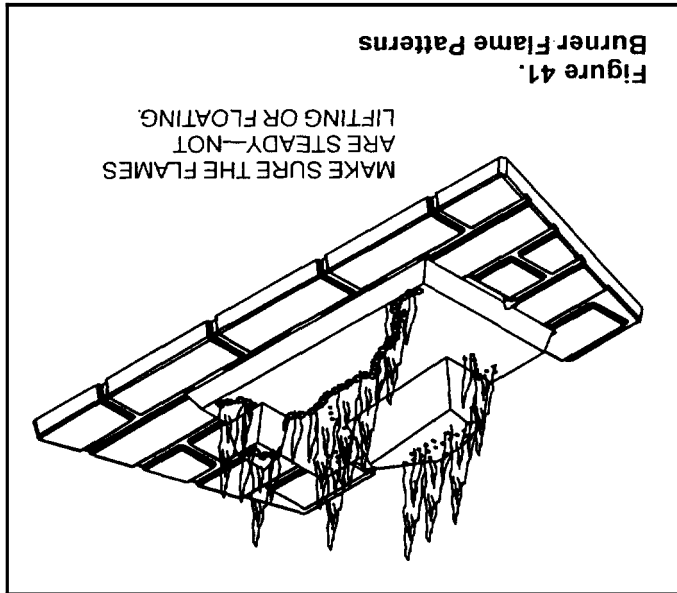
Make sure the flames are steady - not lifting or floating. See Figure 41. The thermopile/thermocouple (standing pilot) tips should be covered with flame. See Figure 30.

#### Checking Vent System

**Frequency:** Before initial use and at least annually thereafter, more frequently if possible.

**By:** Qualified service technician/Home owner.

**Task:** Inspect the external vent cap on a regular basis to ensure that no debris is interfering with the flow of air. Inspect entire vent system for proper function.



#### Cleaning Glass Door

**Frequency:** After the first 3 to 4 hours of use. As necessary after initial cleaning.

**By:** Home owner.

**Task:** Remove and clean glass after the first 3 to 4 hours of use. After the initial cleaning, clean as necessary, particularly after adding new ember (flame colorant) material. Film deposits on the inside of the glass door should be cleaned off using a household glass cleaner. **NOTE: DO NOT handle or attempt to clean the door when it is hot and DO NOT use abrasive cleaners.**





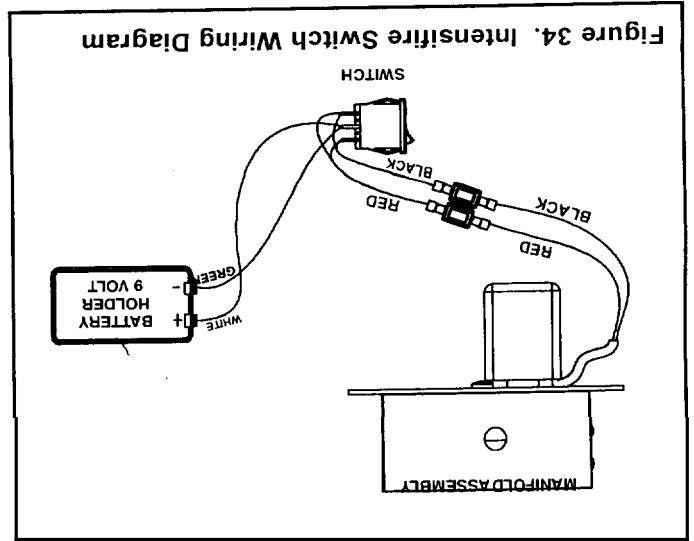


Figure 34. Intensitive Switch Wiring Diagram

This model is equipped with an intensifire switch. This switch allows you to turn On/Off the rear log burners. The switch is located on the control panel. Install the 9 volt battery (found in the manual bag) into the battery holder located in the lower compartment right next to the control panel.

**Intensitive Switch**

**WARNING: DO NOT CONNECT 110-120 VAC TO THE GAS CONTROL VALVE OR THE APPLANCE VALVE WILL BE DESTROYED.**

• This appliance DOES NOT require 110-120 VAC to operate.

**Appliance Requirements**

**For Standing Pilot Ignition Wiring**

**CAUTION: DISCONNECT REMOTE CONTROLS TO PREVENT ACCIDENTAL FIREPLACE OPERATION.**

**NOTE: Electrical wiring must be installed by a licensed electrician.**

**Step 8. Wiring the Fireplace**

**CAUTION: LABEL ALL WIRES PRIOR TO DISCONNECTION WHEN SERVICING CONTROLS. WIRING ERRORS CAN CAUSE IMPROPER AND DANGEROUS OPERATION. VERIFY PROPER OPERATION AFTER SERVICING.**

**WARNING: DO NOT CONNECT 110-120 VAC TO THE WALL SWITCH OR THE CONTROL VALVE WILL BE DESTROYED.**

Position the wall switch in the desired position on a wall. Run a maximum of 25 feet (7.8 m) or less length of 18 A.W.G. minimum wire and connect it to the fireplace ON/OFF switch pigtail.

**Wall Switch**

Optional fan and remote control kits require that 110-120 VAC be wired to the factory installed junction box before the fireplace is permanently installed.

**Optional Accessories**

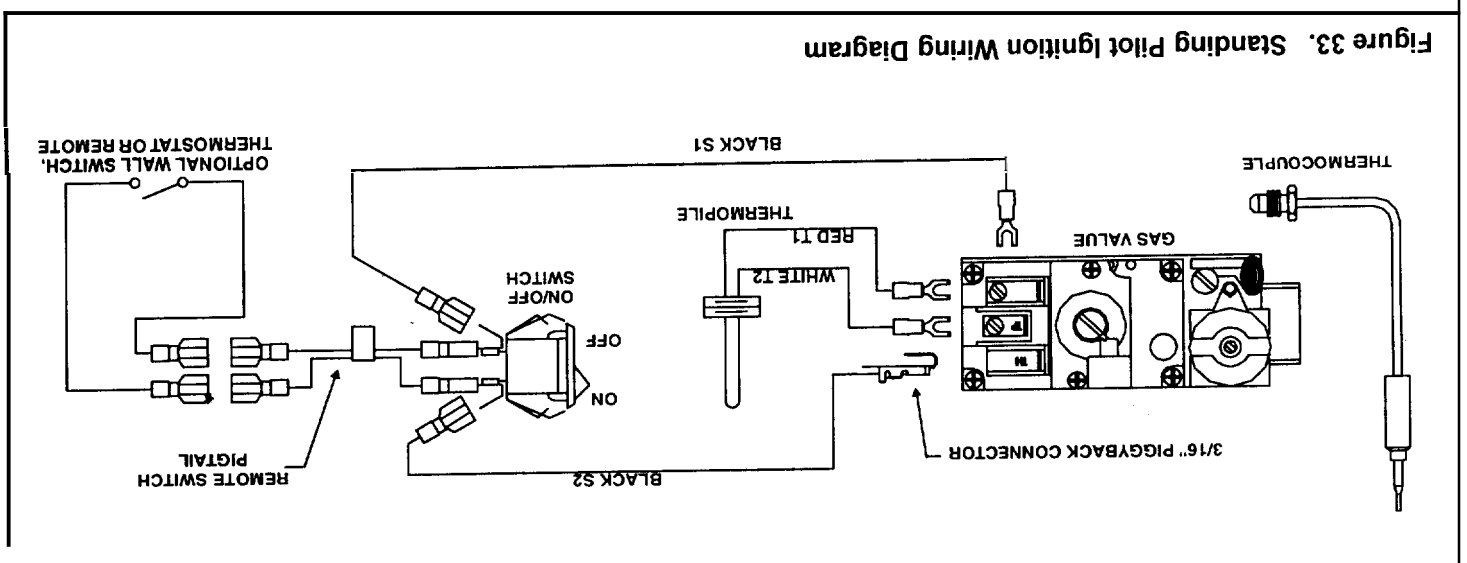
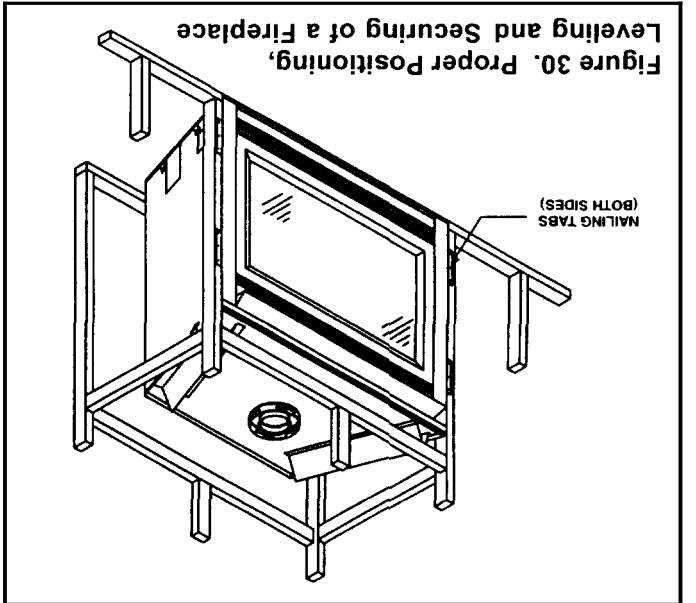


Figure 33. Standing Pilot Ignition Wiring Diagram

**Step 4. Positioning, Leveling and Securing the Fireplace**

The diagram below shows how to properly position, level, and secure the fireplace.



- Place the fireplace into position.
- Level the fireplace from side to side and front to back.
- Shim the fireplace with non-combustible material, such as sheet metal, as necessary.
- Secure the fireplace to the framing by nailing or screwing.

**Figure 30. Proper Positioning, Leveling and Securing of a Fireplace**

**Step 5. The Gas Control System**

**WARNING: THIS UNIT IS NOT FOR USE WITH SOLID FUEL.**

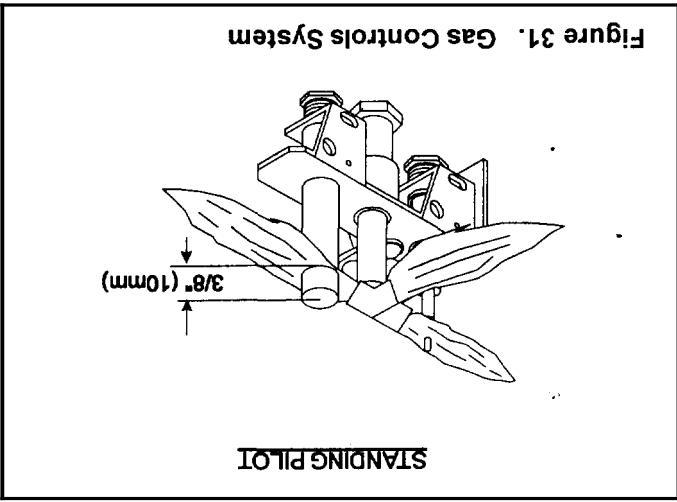
The type of gas control system used with this model is *Standing Pilot Ignition*.

**Standing Pilot Ignition System**

This system includes millivolt control valve, standing pilot, thermopile/thermocouple flame sensor, and piezo ignitor.

**WARNING: 110-120 VAC MUST NEVER BE CONNECTED TO A CONTROL VALVE IN A MILLIVOLT SYSTEM.**

**WARNING: CONTINUOUS 110-120 VAC SERVICE MUST BE WIRED DIRECTLY TO THE FIREPLACE JUNCTION BOX.**



**Figure 31. Gas Controls System**

Figure 28. Vent Termination Minimum Clearances

NOTE: Local codes or regulations may require different clearances.

\*\*\* only permitted if veranda, porch, deck or balcony is fully open on a minimum of 2 sides beneath the floor.

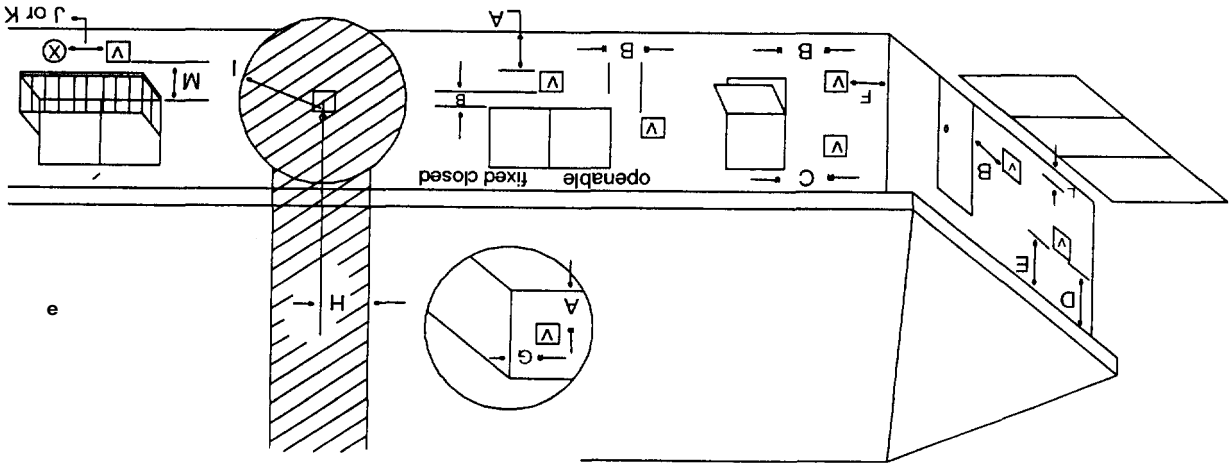
\*\* a vent shall not terminate directly above a sidewalk or paved driveway which is located between two single family dwellings and serves both dwellings.

\* 30" minimum for vinyl clad soffits.

- A = 12" clearances above grade, veranda, porch, deck or balcony
- B = 12" clearances to window or door that may be opened
- C = 9" (U.S.A.) / 12" (Canada) clearance to permanently closed window
- \*D = 18" vertical clearance to ventilated soffit located above the terminal within a horizontal distance of 2 feet (60 cm) from the center-line of the terminal
- \*E = 18" clearance to unventilated soffit
- F = 9" clearance to outside corner
- G = 6" clearance to inside corner
- H = 3 ft. (Canada) not to be installed above a gas meter/regulator assembly within 3 feet (90cm) horizontally from the center-line of the regulator

- I = 3 ft. (U.S.A.) / 6 ft. (Canada) clearance to service regulator vent outlet
- J = 9" (U.S.A.) / 12" (Canada) clearance to non-mechanical air supply inlet to building or the combustion air inlet to any other appliance
- K = 3 ft. (U.S.A.) / 6 ft. (Canada) clearance to a mechanical air supply inlet
- \*\*L = 7 ft. clearance above paved sidewalk or a paved driveway located on public property
- \*\*\*M = 18" clearance under veranda, porch, deck or balcony

V = VENT TERMINAL     
 X = AIR SUPPLY INLET     
  = AREA WHERE TERMINAL IS NOT PERMITTED



**For Vertical Runs - One ceiling firestop is REQUIRED at the hole in each ceiling through which the vent passes.**  
 To install firestops for vertical runs that pass through ceilings:  
 • Position a plumb bob directly over the center of the vertical vent component.  
 • Mark the ceiling to establish the centerpoint of the vent.  
 • Drill a hole or drive a nail through this centerpoint.  
 • Check the floor above for any obstructions, such as wiring or plumbing runs.  
 • Reposition the fireplace and vent system, if necessary, to accommodate the ceiling joists and/or obstructions.  
 • Cut an 11-inch X 11-inch (280mm X 280mm) hole through the ceiling, using the centerpoint previously marked.  
 • Frame the hole with framing lumber the same size as the ceiling joists.

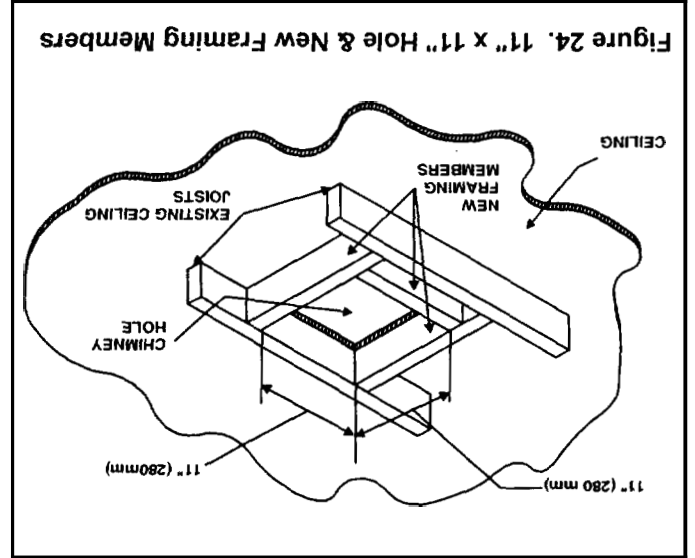
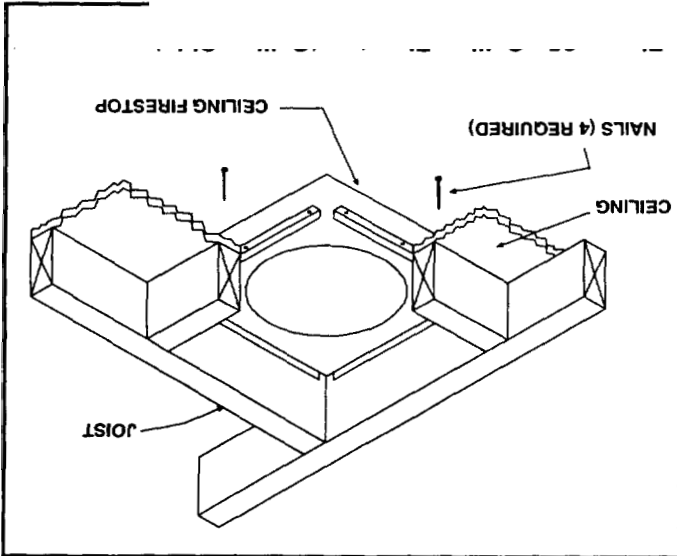


Figure 24. 11" X 11" Hole & New Framing Members

If the area above the ceiling is **NOT** an attic, position and secure the ceiling firestop on the ceiling side of the previously cut and framed hole.

**NOTE: There must be NO INSULATION or other combustibles inside the framed firestop opening.**



If the area above the ceiling **IS** an attic, position and secure the firestop on top of the previously framed hole.  
**NOTE: Keep insulation away from the vent pipe at least 1 inch (25mm).**

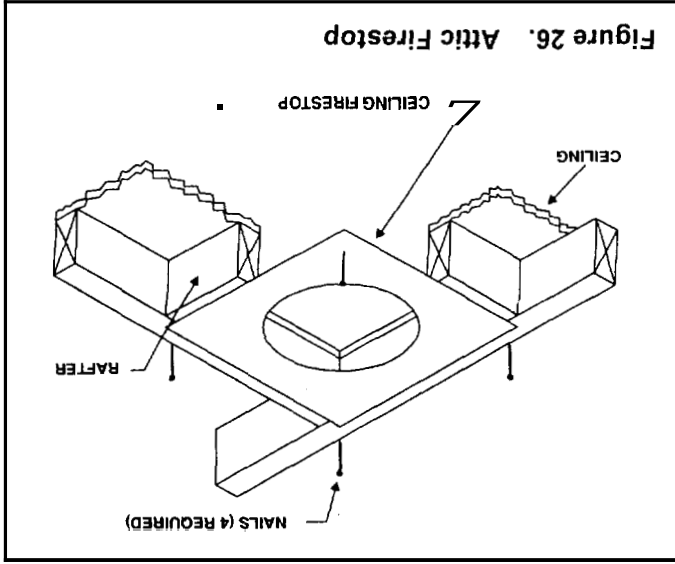


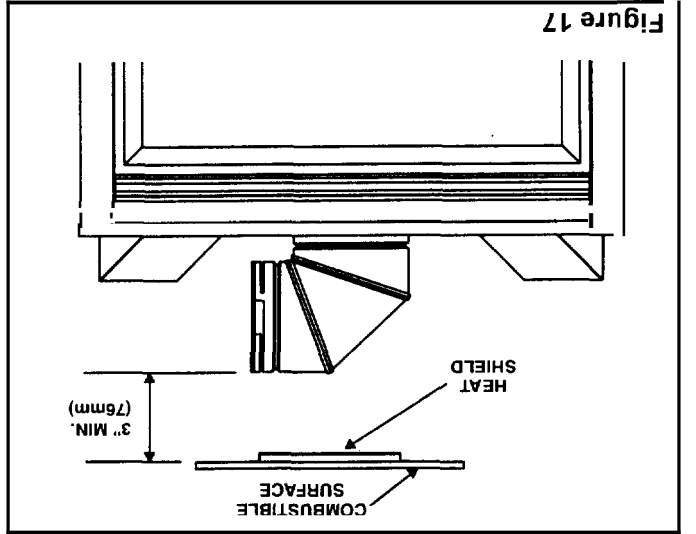
Figure 26. Attic Firestop

2. Continue Adding Vent Components

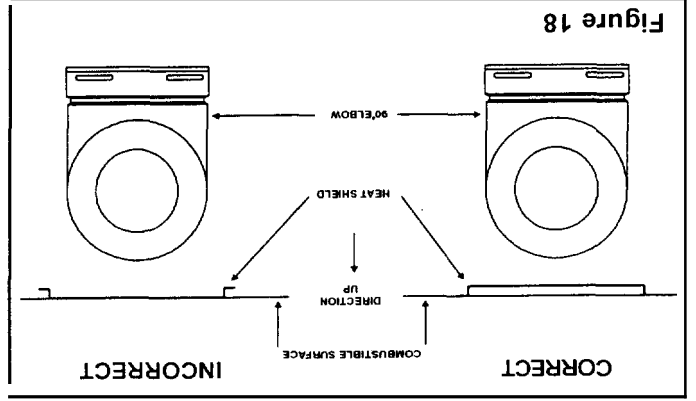
**WARNING: INSTALLATION OF THIS FIRE-SHIELD 570-290 ABOVE THE FIRST 90° ELBOW IN THE VENTING SYSTEM.**

To Install the Heat Shield:

1. Determine if the heat shield is required. Do so by measuring the vertical distance between the top horizontal surface of the elbow to any combustible surface above. If the distance is more than 4 inches, the heat shield is NOT required. If it is 4 inches or less, the heat shield IS REQUIRED. Install per the following steps. See Figure 17.



2. Fasten the shield in place using the four pilot holes provided in the part. The shield should be oriented such that the 13 1/8 inch dimension (longest dimension) is running in the same direction the elbow is pointing. The shield should be centered directly above the elbow, and positioned so that it creates a 1/2 inch airspace between the shield and the combustible surface. See Figure 18.



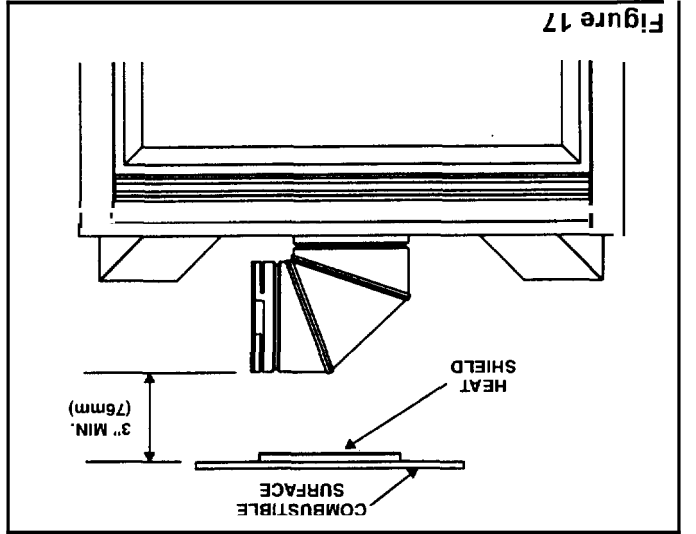
- If the combustible materials are not in place at the time of install the elbow heat shield may be screwed to the exhaust pipe (see Figure 19). Cut the tabs as shown and bend down. Using the screws found in the manual bag secure the heat shield to the pipe maintaining 3" to 4" between the pipe and shield.

2. Continue Adding Vent Components

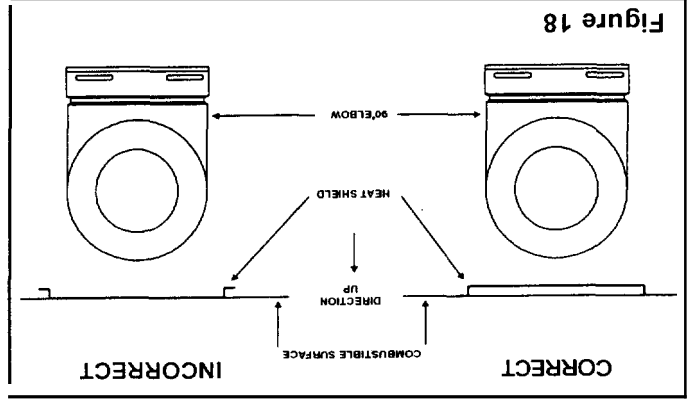
**WARNING: INSTALLATION OF THIS FIRE-SHIELD 570-290 ABOVE THE FIRST 90° ELBOW IN THE VENTING SYSTEM.**

To Install the Heat Shield:

1. Determine if the heat shield is required. Do so by measuring the vertical distance between the top horizontal surface of the elbow to any combustible surface above. If the distance is more than 4 inches, the heat shield is NOT required. If it is 4 inches or less, the heat shield IS REQUIRED. Install per the following steps. See Figure 17.



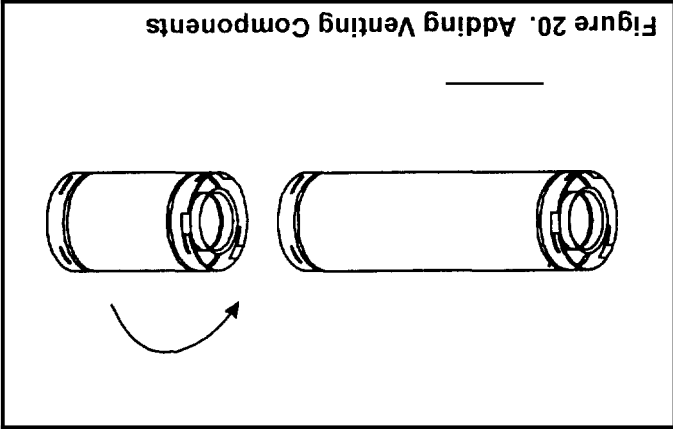
2. Fasten the shield in place using the four pilot holes provided in the part. The shield should be oriented such that the 13 1/8 inch dimension (longest dimension) is running in the same direction the elbow is pointing. The shield should be centered directly above the elbow, and positioned so that it creates a 1/2 inch airspace between the shield and the combustible surface. See Figure 18.



- If the combustible materials are not in place at the time of install the elbow heat shield may be screwed to the exhaust pipe (see Figure 19). Cut the tabs as shown and bend down. Using the screws found in the manual bag secure the heat shield to the pipe maintaining 3" to 4" between the pipe and shield.

3. Install Support Brackets

- For Horizontal Runs** - The vent system must be supported every five (5) feet of horizontal run by a horizontal pipe support. To install support brackets for horizontal runs:
- Place the pipe supports around the vent pipe.
  - Nail the pipe supports to the framing members.



- Continue adding vent components, locking each succeeding component into place.
- Ensure that each succeeding vent component is securely fitted and locked into the preceding component in the vent system.
- 90° elbows may be installed and rotated to any point around the preceding component's vertical axis. If an elbow does not end up in a locked position with the preceding component, attach with a minimum of two (2) sheet metal screws.

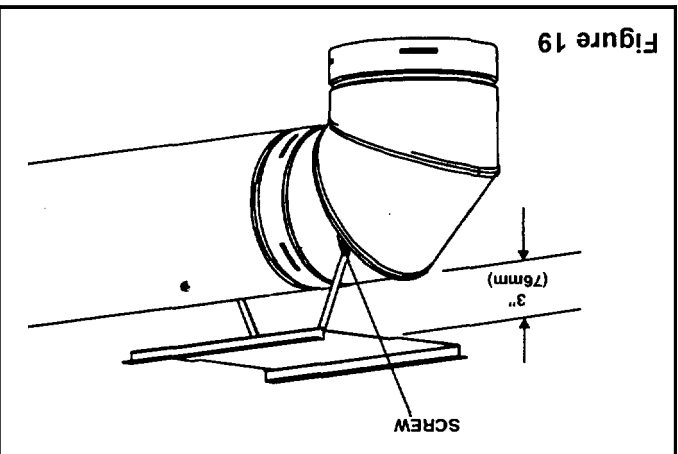
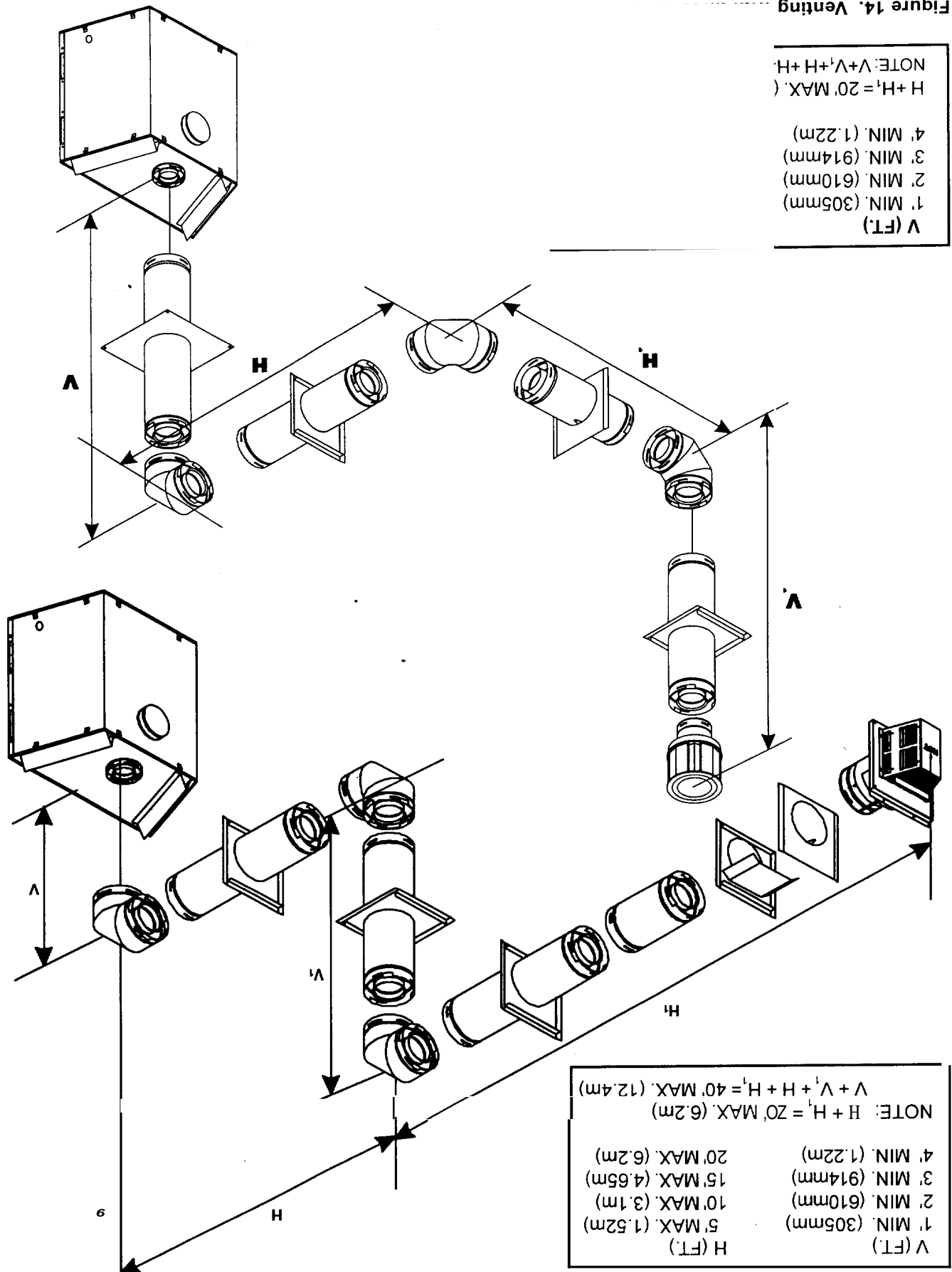




Figure 14. Venting



VENTING WITH THREE (3) 90° ELBOWS

Figure 12. Venting with Two 90° Elbows

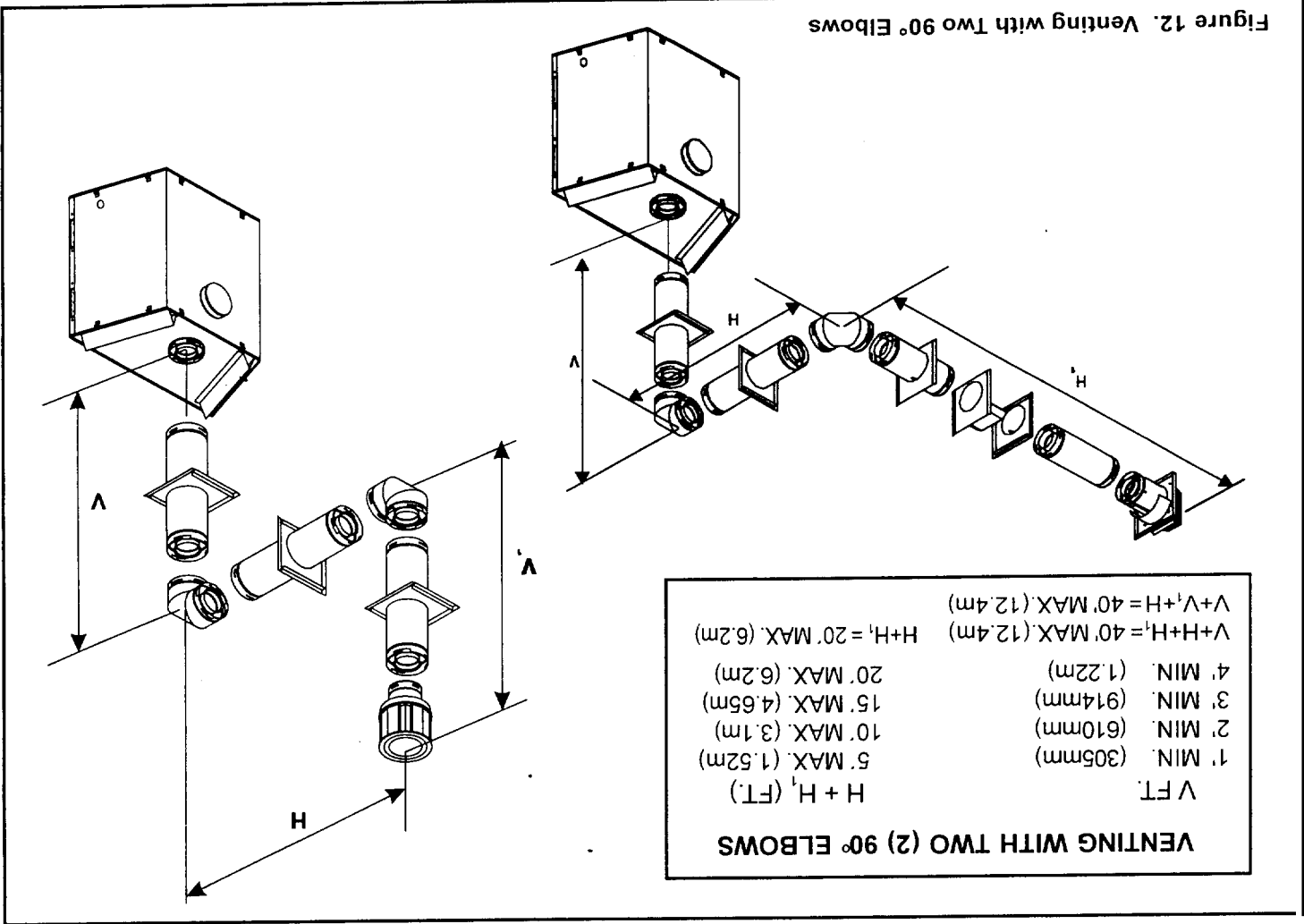
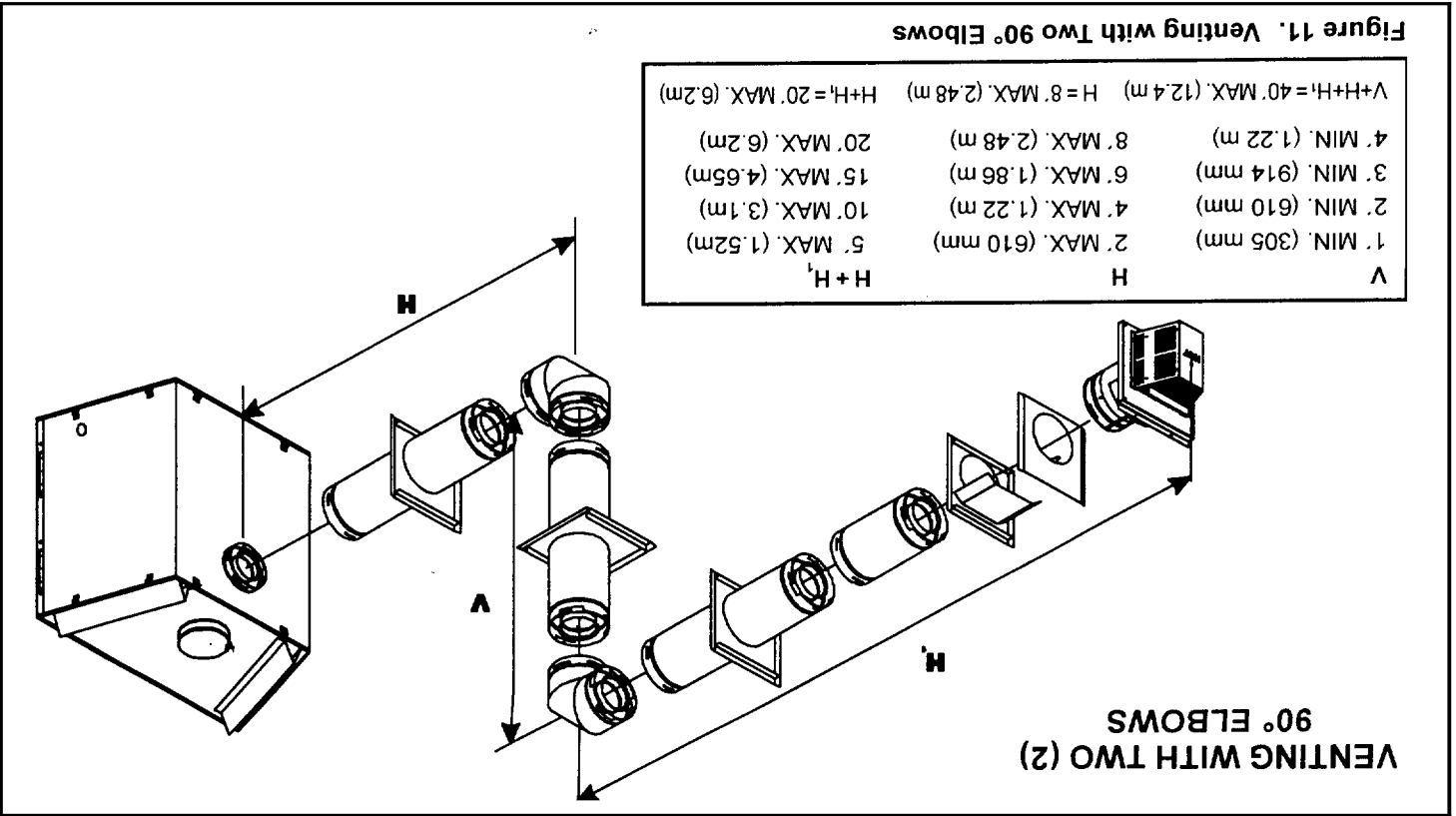
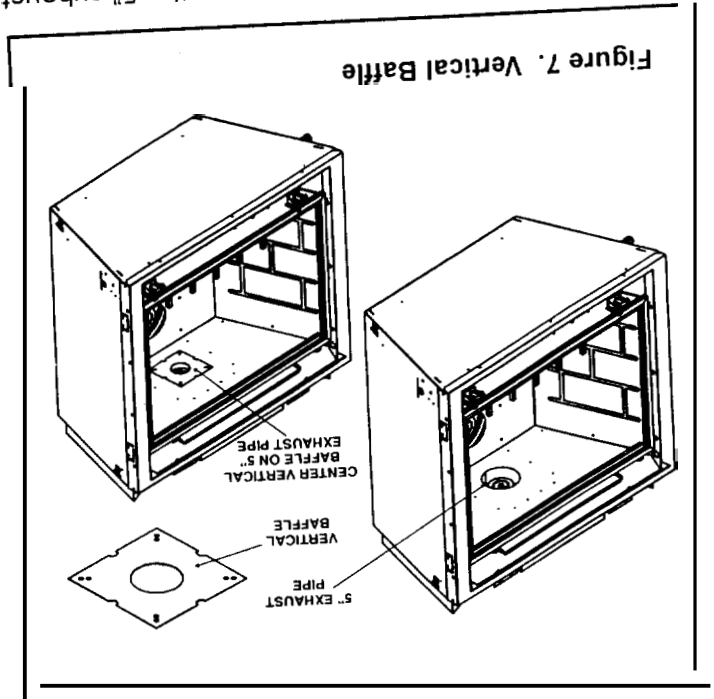


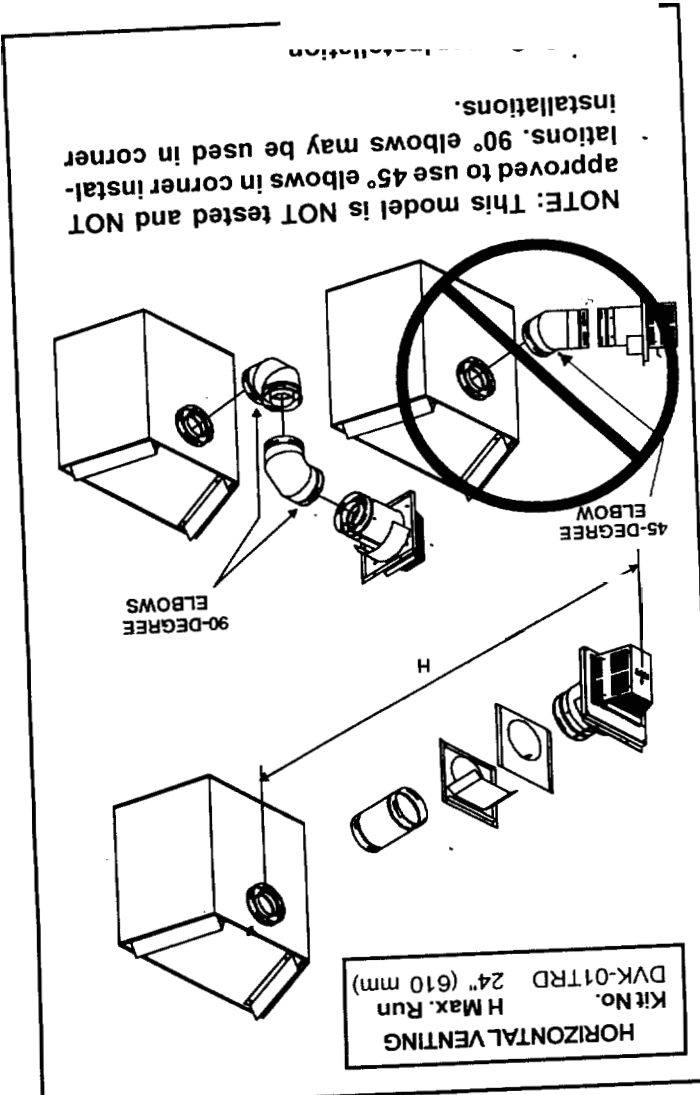
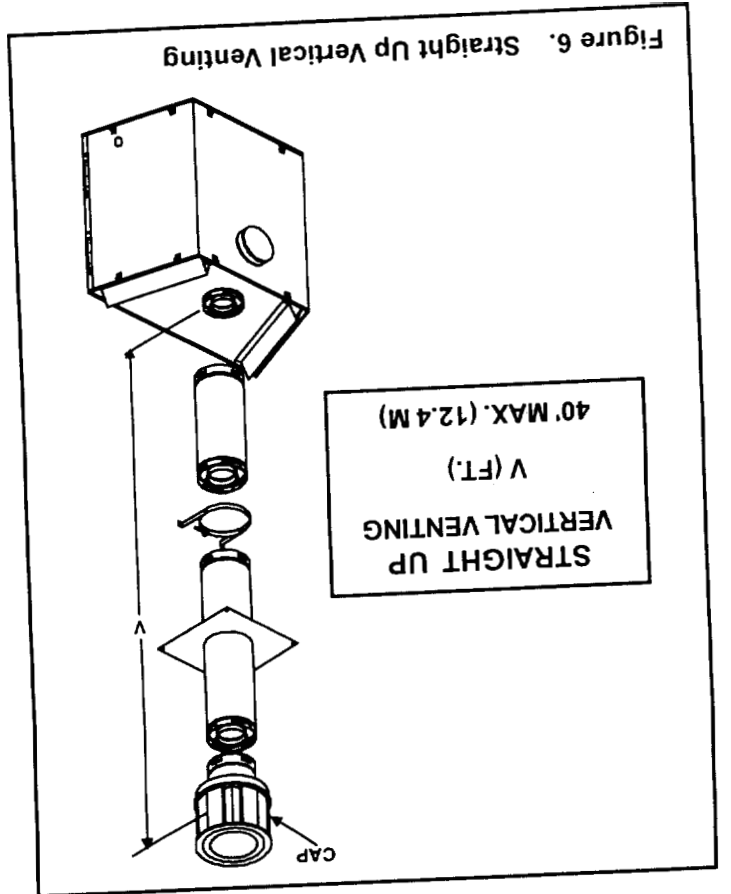
Figure 11. Venting with Two 90° Elbows



**NOTE:** Center the vertical baffle over the 5" exhaust pipe. Fasten in place with self tapping screws.



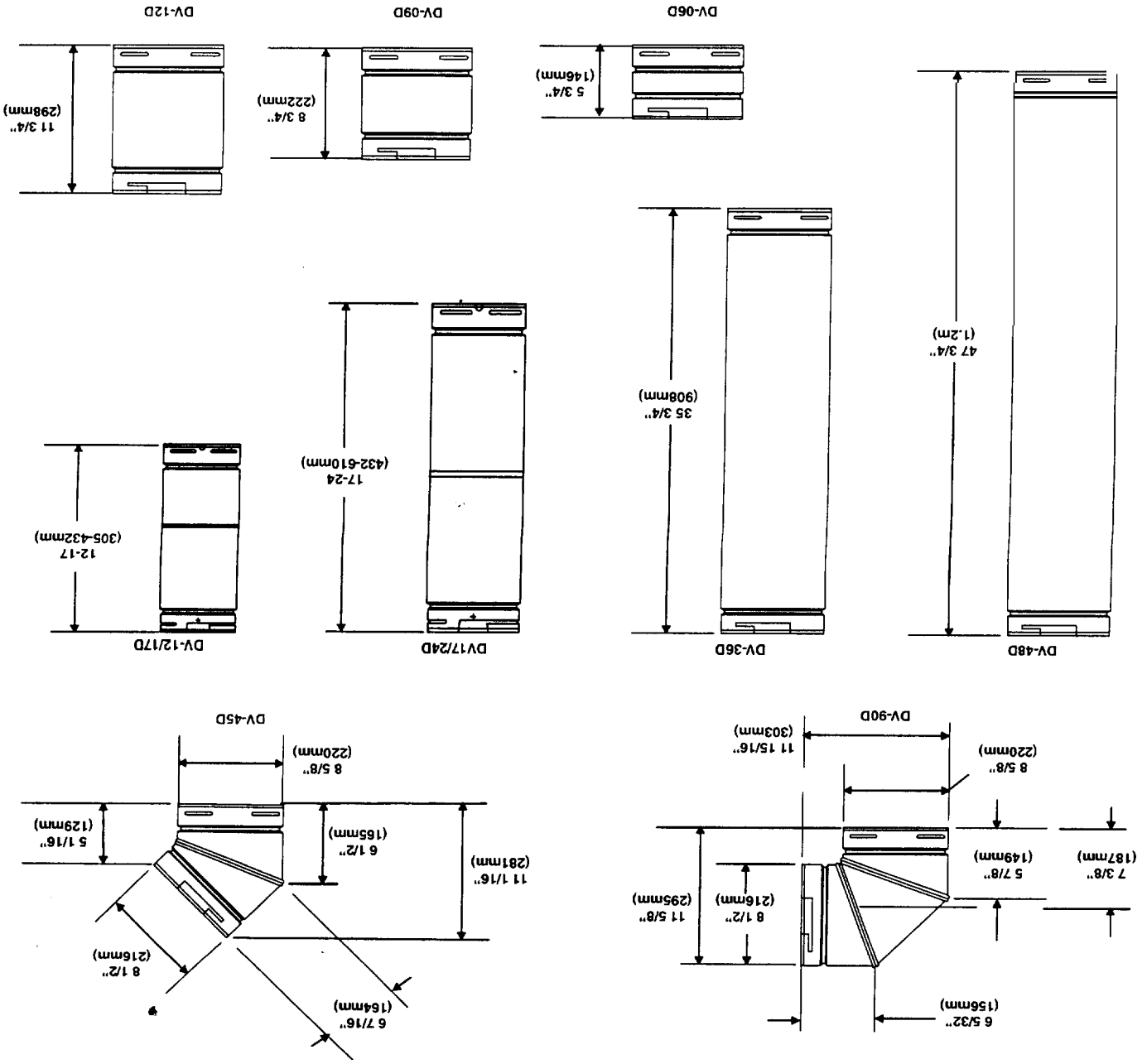
**NOTE:** On vertical venting configurations where the vertical component is over 10 feet, you may want to install the vertical baffle included in the manual bag assembly to improve flame appearance (see Figure 7).



**NOTE:** This model is NOT tested and NOT approved to use 45° elbows in corner installations. 90° elbows may be used in corner installations.

Figure 4. D-Series Direct Vent Component Specifications  
 (5-inch inner pipe / 8 5/8-inch outer pipe)

NOTE: PIPES OVERLAP 1-3/8 INCHES (34.93mm)  
 AT EACH JOINT.



# 3

## Installing the Fireplace

### Constructing the Fireplace Chase

A chase is a vertical box-like structure built to enclose the gas fireplace and/or its vent system. Vertical vents that run on the outside of a building may be, but are not required to be, installed inside a chase.

**CAUTION: TREATMENT OF FIRESTOP SPACERS AND CONSTRUCTION OF THE CHASE MAY VARY WITH THE TYPE OF BUILDING. THESE INSTRUCTIONS ARE NOT SUBSTITUTES FOR THE REQUIREMENTS OF LOCAL BUILDING CODES. THEREFORE, YOUR LOCAL BUILDING CODES MUST BE CHECKED TO DETERMINE THE REQUIREMENTS FOR THESE STEPS.**

Factory-built fireplace chases should be constructed in the manner of all outside walls of the home to prevent cold air drafting problems. The chase should not break the outside building envelope in any manner.

This means that the walls, ceiling, base plate and cantilever floor of the chase should be insulated. Vapor and air infiltration barriers should be installed in the chase as per regional codes for the rest of the home. Additionally, Heat-N-Glo recommends that the inside surfaces be sheetrocked and taped for maximum air tightness.

To further prevent drafts, the firestops should be caulked to seal gaps. Gas line holes and other openings should be caulked or stuffed with insulation. If the unit is being installed on a cement slab, we recommend that a layer of plywood be placed underneath to prevent conducting cold up into the room. Be sure to include spark arrestors for woodburning units if they are required.

**THE CHASE SHOULD BE CONSTRUCTED SO THAT ALL CLEARANCES TO THE FIREPLACE ARE MAINTAINED AS SPECIFIED WITHIN THIS INSTALLERS GUIDE.**

### Step 1. Locating the Fireplace

The following diagram shows space and clearance requirements for locating a fireplace within a room.

#### Clearance Requirements

The top, back, and sides of the fireplace are defined by stand-offs. The minimum clearance to a perpendicular wall extending past the face of the fireplace is one inch (25 mm). The back of the fireplace may be recessed 2 1/2 inches (546 mm) into combustible construction.

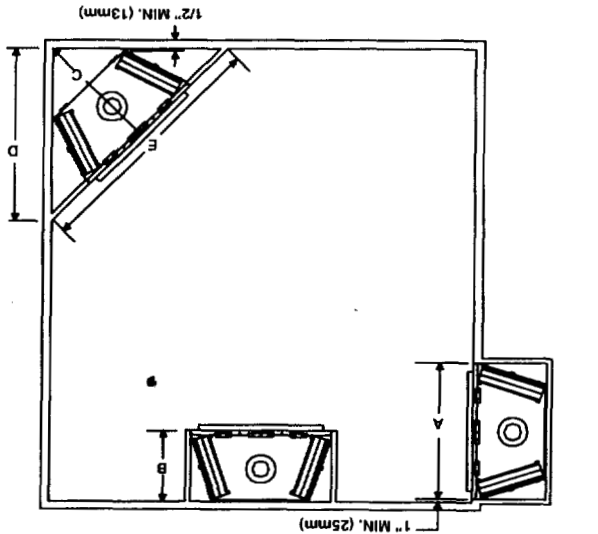


Figure 2. Fireplace Dimensions, Locations, and Space Requirements

Minimum Clearances from the Fireplace to Combustible Materials	
Inches	mm
Class Front	36
Floor	0
Rear	1/2
Sides	1/2
Surround Sides*	0
Top	3 1/2
Ceiling**	31
	787

\* See Figure 3.

\*\* The clearance to the ceiling is measured from the top of the unit, excluding the standoffs (see Figure 34).

The distance from the unit to combustible construction is to be measured from the unit outer wrap surface to the combustible construction, NOT from the screw heads that secure the unit together.

Minimum Clearances from the Vent Pipe to Combustible Materials	
Inches	mm
Vertical Sections	25
Horizontal Sections	75
Top	E
Bottom	25
Sides	25
At Wall Firestops	63.7
Top	2 1/2
Bottom	1/2
Sides	25

For minimum clearances, see the direct vent termination clearance diagrams on pages 23 and 24 in this manual.

# 2

## Getting Started

### Introducing the Heat-N-Glo Gas Fireplaces

Heat-N-Glo direct vent gas fireplaces are designed to operate with all combustion air siphoned from outside of the building and all exhaust gases expelled to the outside.

The information contained in this *Installers Guide*, unless noted otherwise, applies to all models and gas control systems. Gas fireplace diagrams, including the dimensions, are shown in this section.

### Pre-install Preparation

This gas fireplace and its components are tested and safe when installed in accordance with this *Installers Guide*. Report to your dealer any parts damaged in shipment, particularly the condition of the glass. **Do not install any unit with damaged, incomplete, or substitute parts.**

The vent system components and trim doors are shipped in separate packages. The gas logs may be packaged separately and must be field installed.

**Read all of the instructions before starting the installation. Follow these instructions carefully during the installation to ensure maximum safety and benefit. Failure to follow these instructions will void the owner's warranty and may present a fire hazard.**

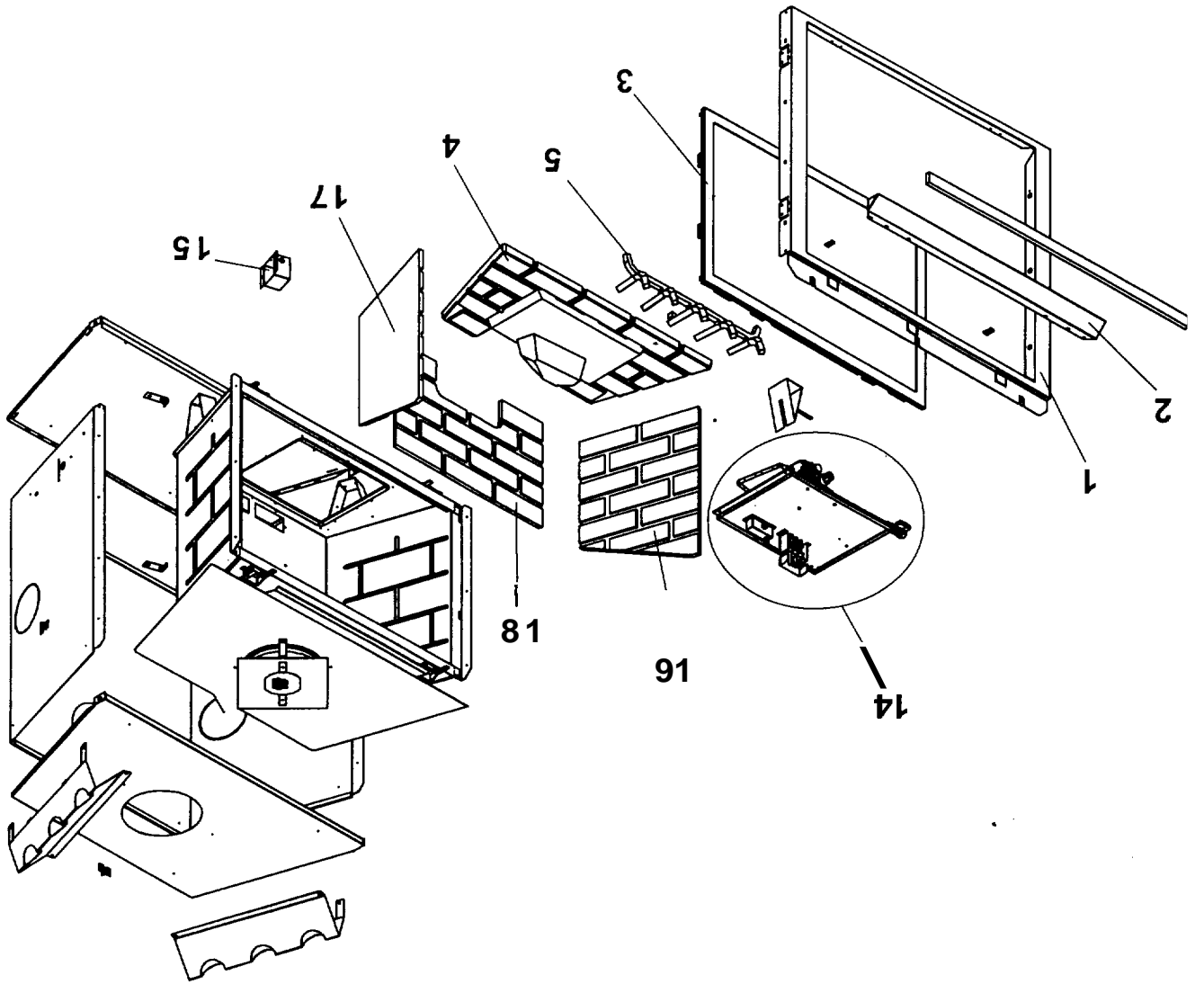
### ANY SUCH ACTION MAY POSSIBLY CAUSE A FIRE HAZARD.

When planning a fireplace installation, it's necessary to determine:

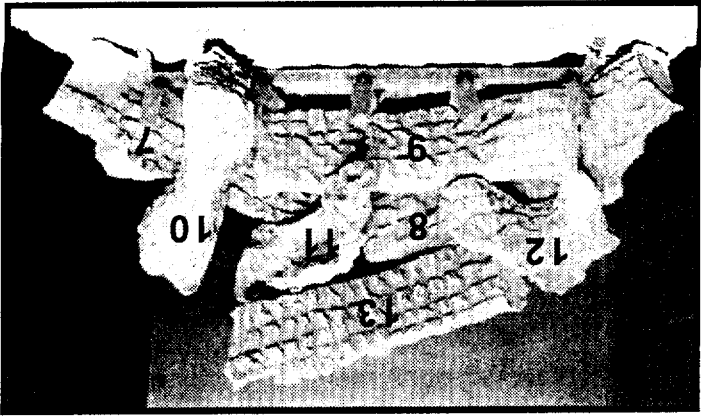
- Where the unit is to be installed.
  - The vent system configuration to be used.
  - Gas supply piping.
  - Electrical wiring.
  - Framing and finishing details.
  - Whether optional accessories—devices such as a fan, wall-switch, or remote control—are desired.
- If the fireplace is to be installed on carpeting or tile, or on any combustible material other than wood flooring, the fireplace should be installed on a metal or wood panel that extends the full width and depth of the fireplace.



6000TRXI (NG, LP) Exploded Parts Diagram / Vue éclatée des pièces



6 Log set assembly



\* Part number list on following page.  
\* La liste des numéros de pièce se trouve à la page suivante.



# SAFETY AND WARNING INFORMATION

**READ and UNDERSTAND** all instructions carefully before starting the installation. **FAILURE TO FOLLOW** these installation instructions may result in a possible fire hazard and will void the warranty.

Prior to the first firing of the fireplace, **READ** the Using Your Fireplace section of the *Owners Guide*.

**DO NOT USE** this appliance if any part has been under water. Immediately **CALL** a qualified service technician to inspect the unit and to replace any part of the control system and any gas control which has been under water.

**THIS UNIT IS NOT FOR USE WITH SOLID FUEL.**

Installation and repair should be **PERFORMED** by a qualified service person. The appliance and venting system should be **INSPECTED** before initial use and at least annually by a professional service person. More frequent cleaning may be required due to excessive lint from carpeting, bedding material, etc. It is **IMPERATIVE** that the unit's control compartment, burners, and circulating air passages **BE KEPT CLEAN** to provide for adequate combustion and ventilation air.

Always **KEEP** the appliance clear and free from combustible materials, gasoline, and other flammable vapors and liquids.

**NEVER OBSTRUCT** the flow of combustion and ventilation air. Keep the front of the appliance **CLEAR** of all obstacles and materials for servicing and proper operations.

Due to the high temperature, the appliance should be **LOCATED** out of traffic areas and away from furniture and draperies. Clothing or flammable material **SHOULD NOT BE PLACED** on or near the appliance.

Children and adults should be **ALERTED** to the hazards of high surface temperature and should **STAY AWAY** to avoid burns or clothing ignition. Young children should be **CAREFULLY SUPERVISED** when they are in the same room as the appliance.

These units **MUST** use one of the vent systems described in the Installing the Fireplace section of the *Installers Guide*. **NO OTHER** vent systems or components **MAY BE USED**.

This gas fireplace and vent assembly **MUST** be vented directly to the outside and **MUST NEVER** be attached to a chimney serving a separate solid fuel burning appliance. Each gas appliance **MUST USE** a separate vent system. Common vent systems are **PROHIBITED**.

**INSPECT** the external vent cap on a regular basis to make sure that no debris is interfering with the air flow.

The glass door assembly **MUST** be in place and sealed, and the trim door assembly **MUST** be in place on the fireplace before the unit can be placed into safe operation.

**DO NOT OPERATE** this appliance with the glass door removed, cracked, or broken. Replacement of the glass door should be performed by a licensed or qualified service person. **DO NOT** strike or slam the glass door.

The glass door assembly **SHALL ONLY** be replaced as a complete unit, as supplied by the gas fireplace manufacturer. **NO SUBSTITUTE** material may be used.

Any safety screen or guard removed for servicing must be replaced before operating this appliance.

**DO NOT** place furniture or any other combustible household objects within 36 inches of the fireplace front.