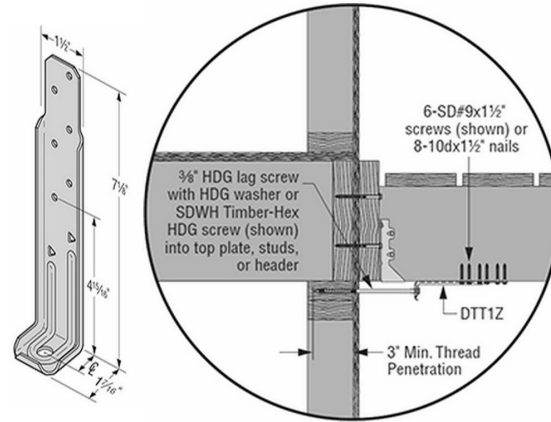




Scope 1.2.1.2 - attach (3) decks to house at ledger.

Lateral Load Connection Device:
Simpson Strong-Tie DTT1



40 WATERVILLE ST.

CONSULTANTS

REVISIONS

PROJECT No.

REVISIONS

DRAWN BY

SHEET TITLE

A.1.6