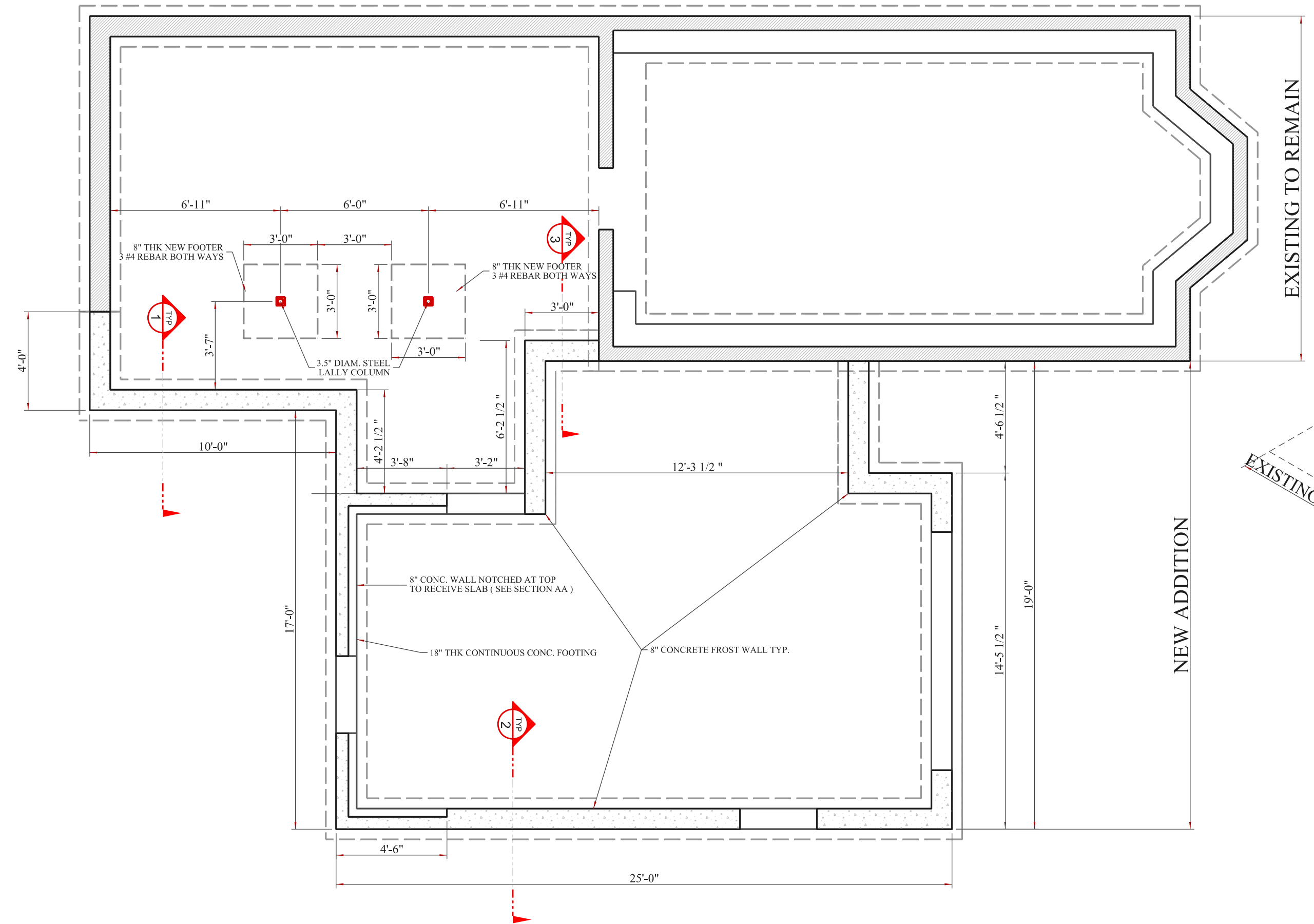
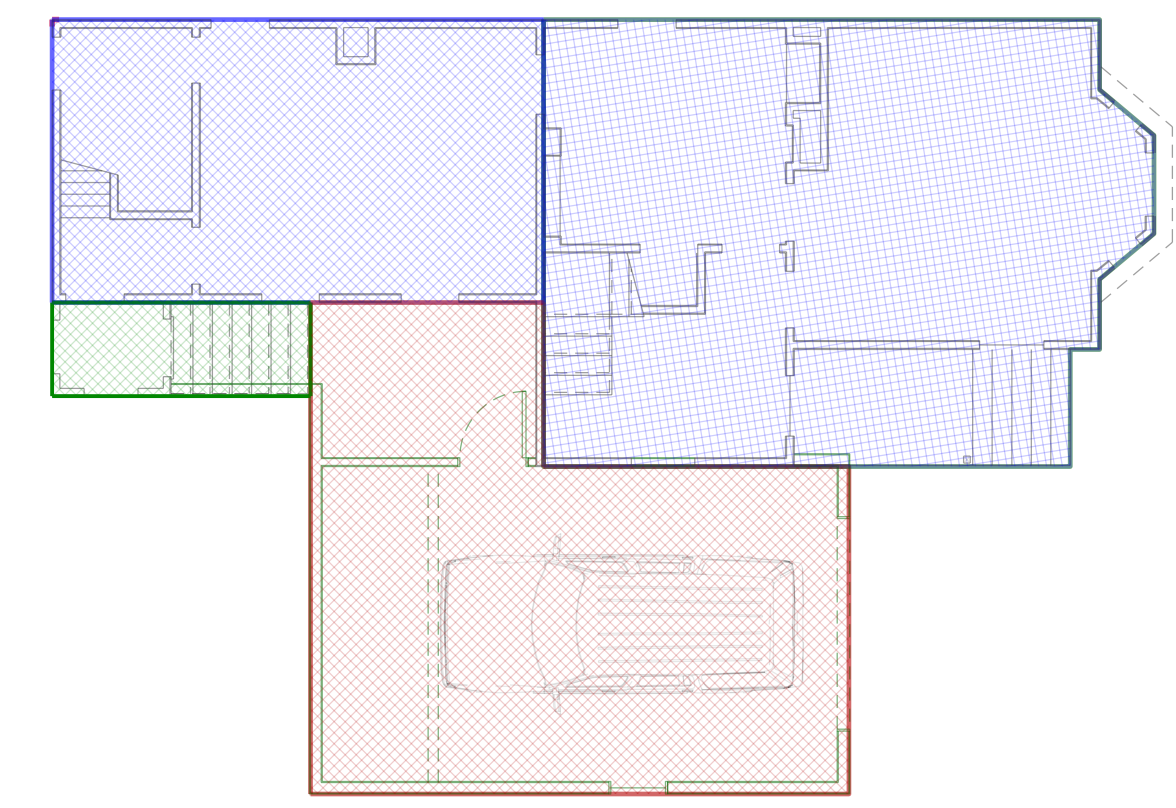





RESERVED FOR DIGITAL STAMP

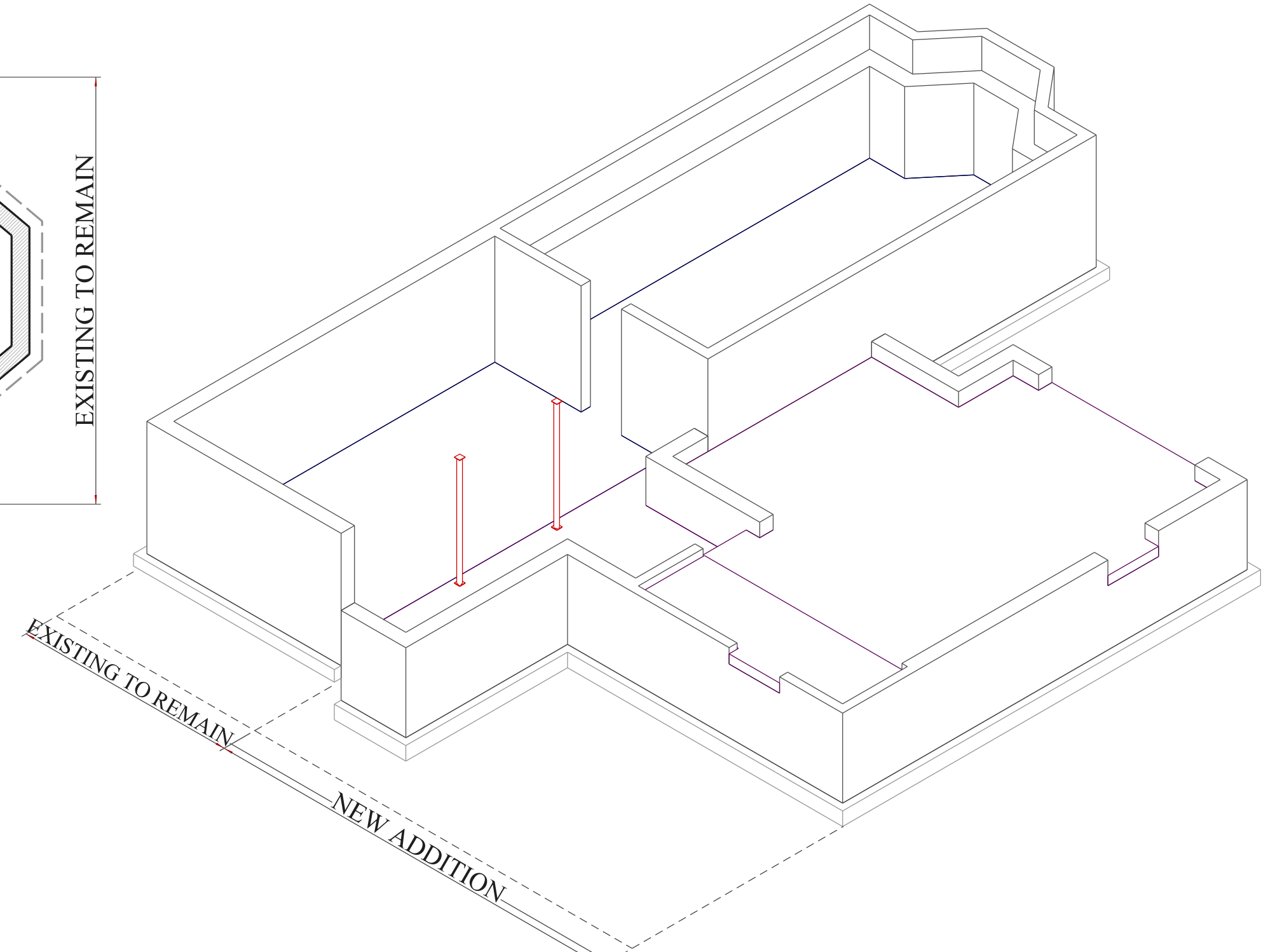
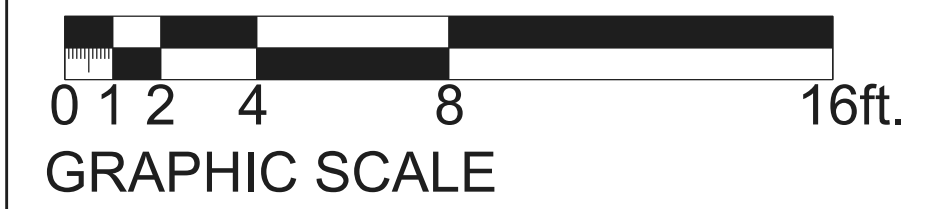
REVISED 1.7.16
REVISED 3.14.16



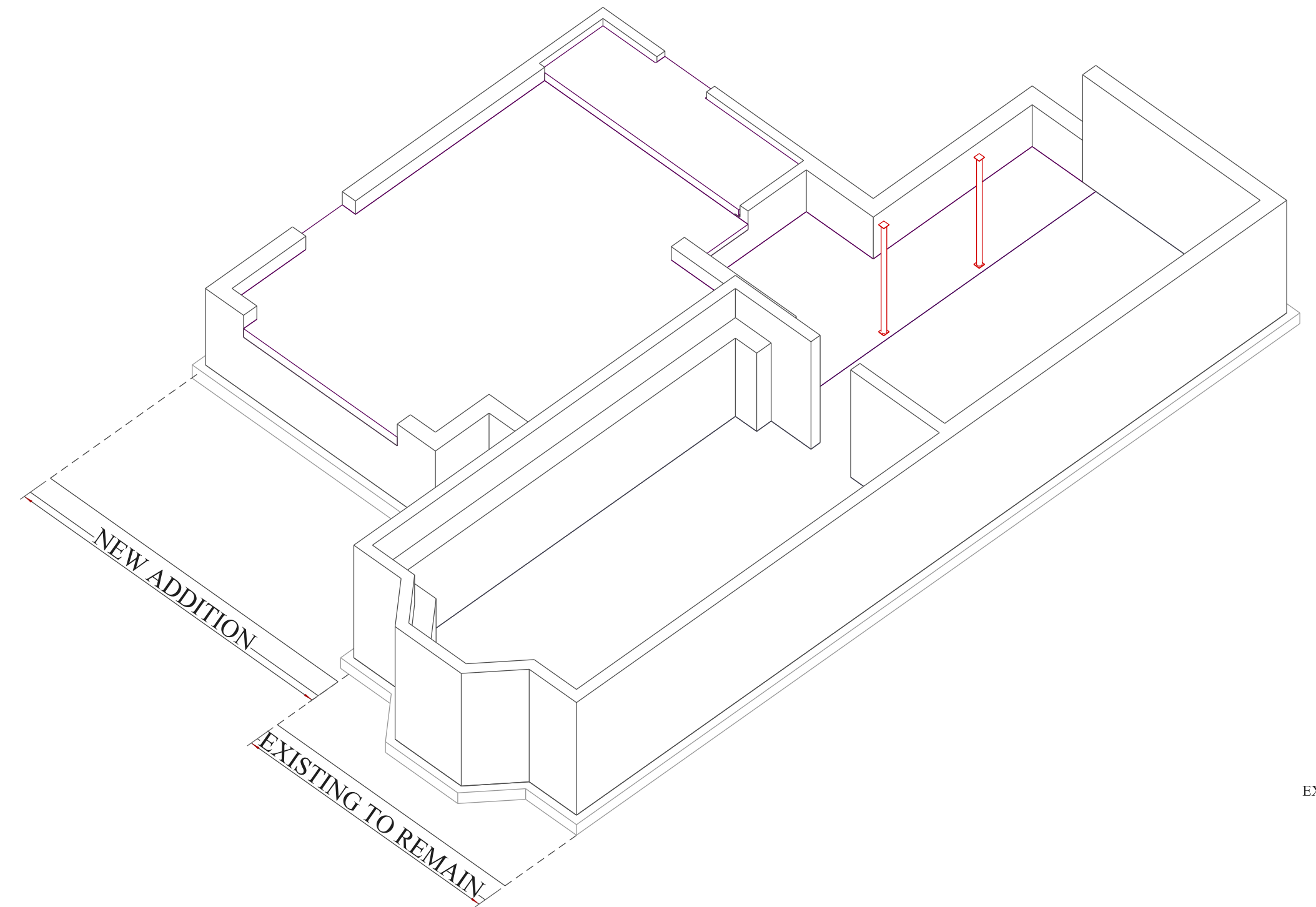
FOUNDATION PLAN
SCALE 1/4"=1'-0"



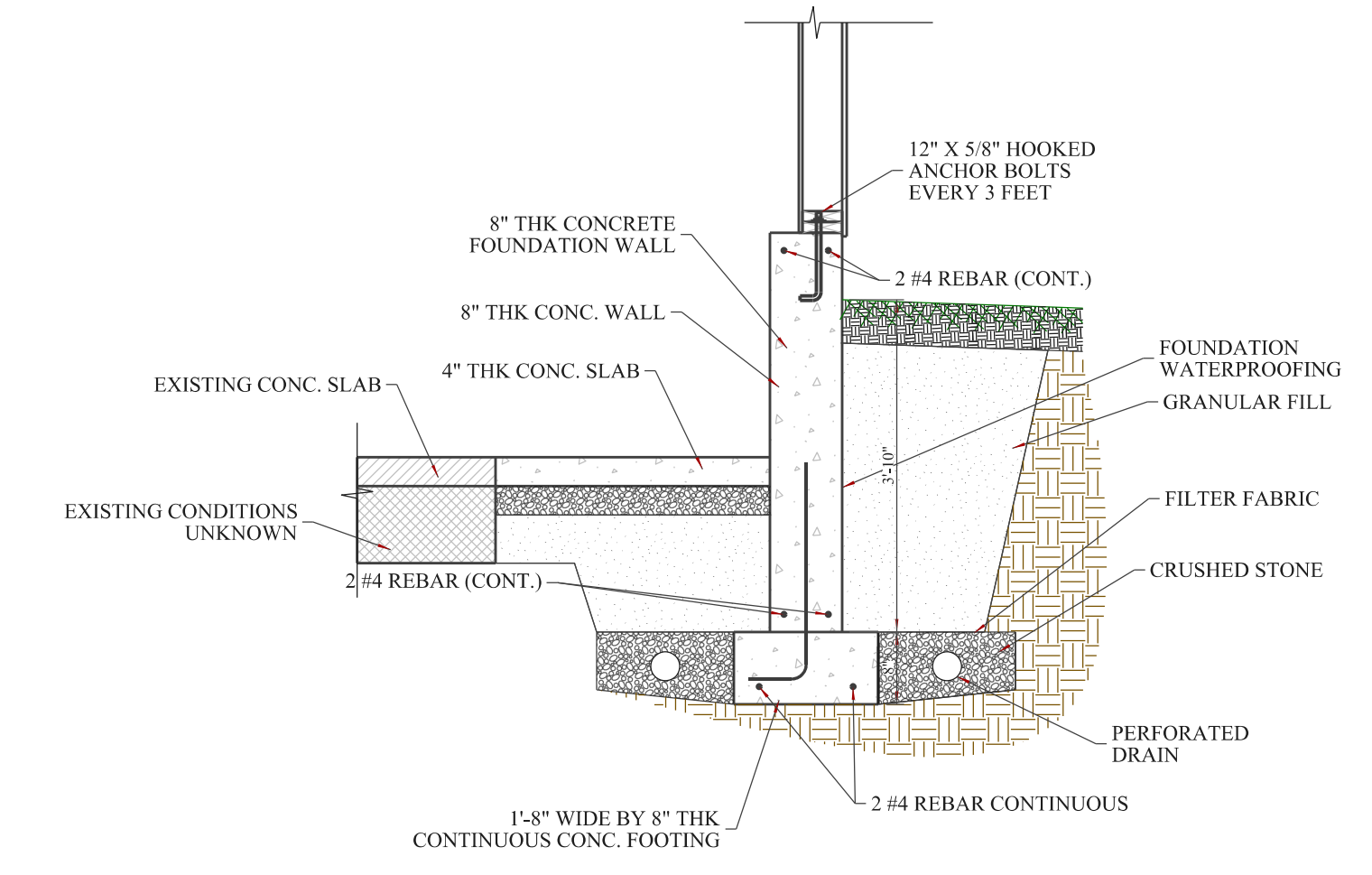
-  NEW FOUNDATION TO BE BUILT
-  EXISTING FOUNDATION TO BE REPAIRED OR REBUILT
-  EXISTING FOUNDATION TO REMAIN



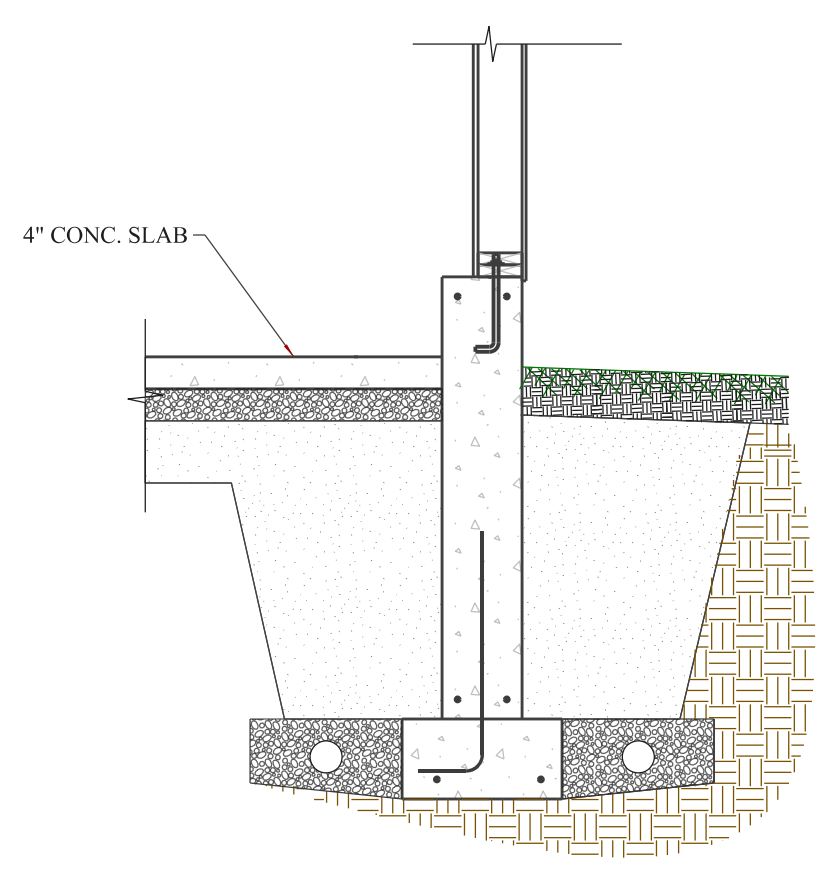
3D FOUNDATION PLAN NE
NO SCALE



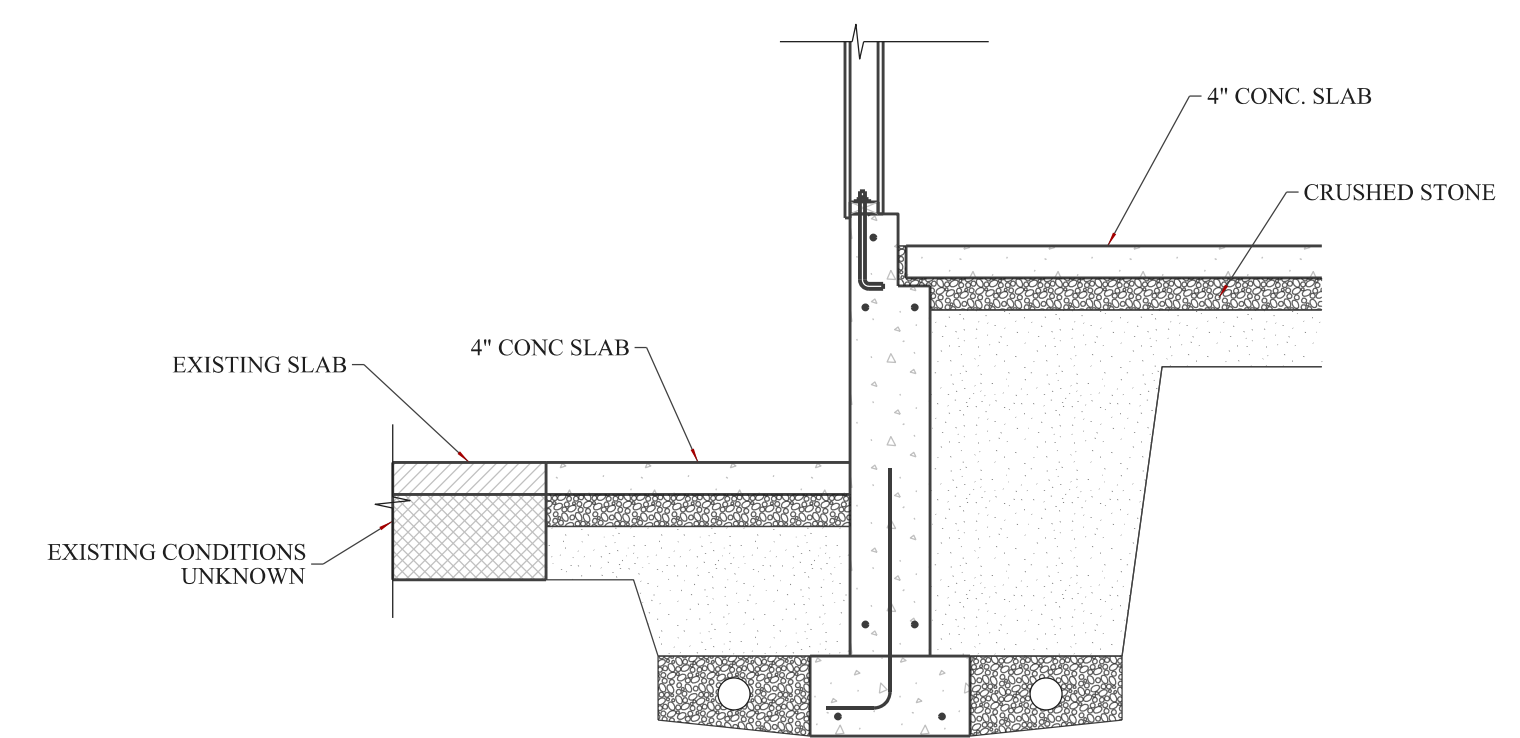
3D FOUNDATION PLAN SW
NO SCALE



FOUNDATION TYP 1
SCALE 1/2"=1'-0"



FOUNDATION TYP 2
SCALE 1/2"=1'-0"



FOUNDATION TYP 3
SCALE 1/2"=1'-0"