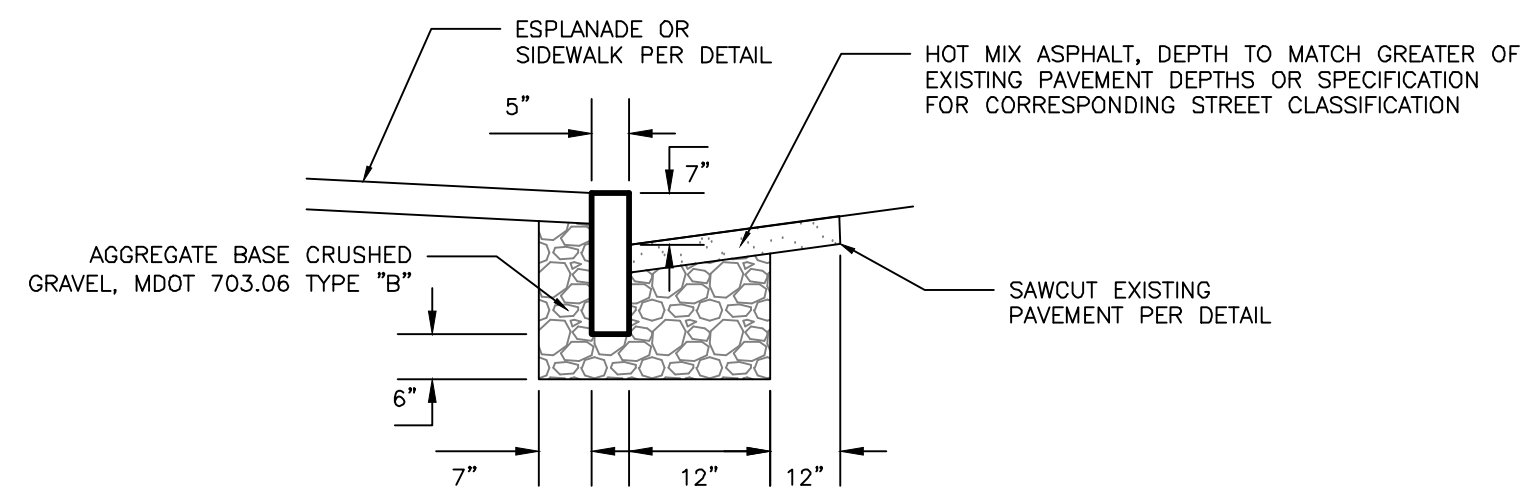


VERTICAL GRANITE CURB PLAN VIEW

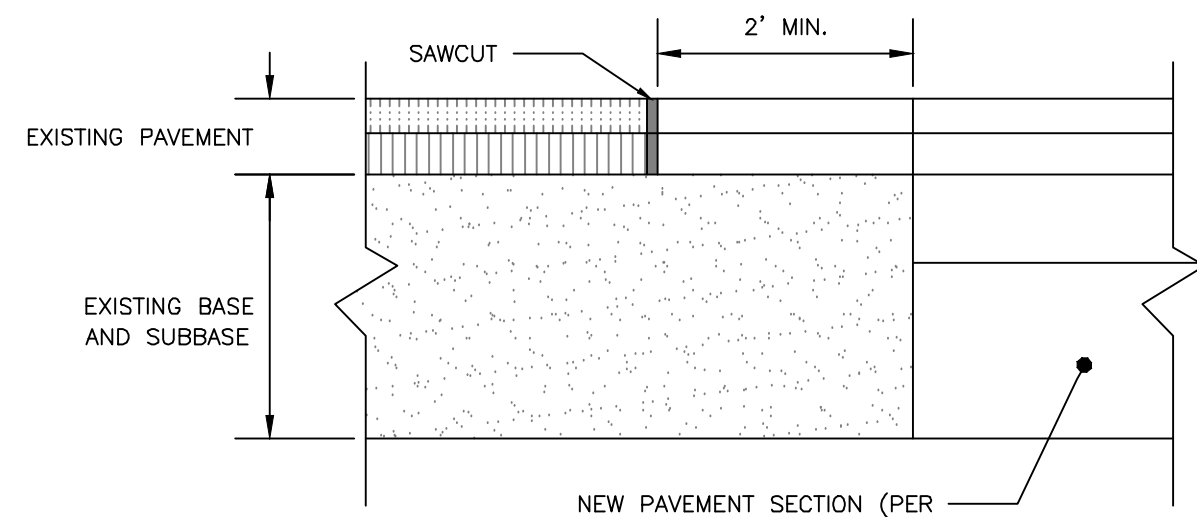


VERTICAL GRANITE CURB CROSS SECTION

VERTICAL GRANITE CURB AND TIPDOWN INSTALLATION
NOT TO SCALE

NOTES:

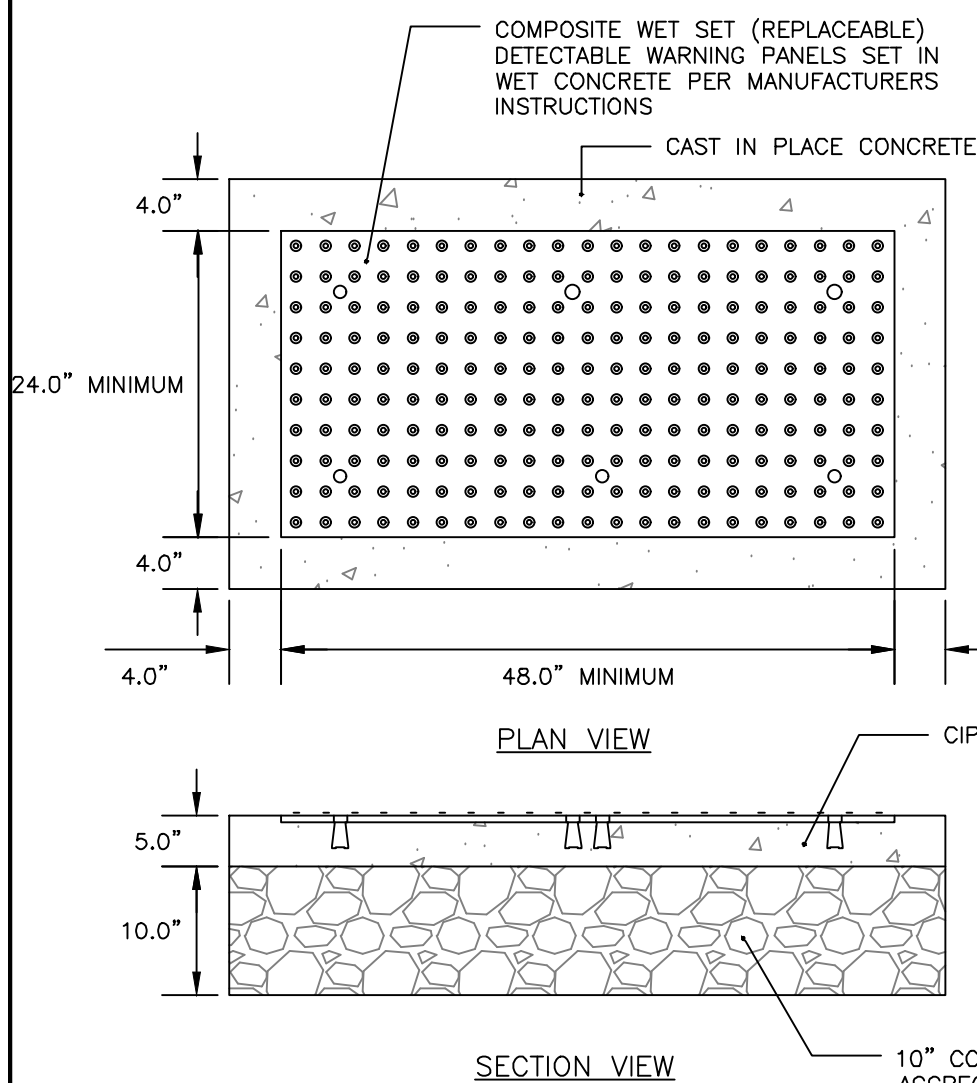
1. SAWCUT EXISTING PAVEMENT AND REMOVE 2" STRIP OF EXISTING PAVEMENT. APPLY BITUMINOUS TACK COAT PRIOR TO PLACEMENT OF NEW BITUMINOUS PAVEMENT.
2. THE NEW PAVEMENT SECTION SHALL MEET THE CITY OF PORTLAND ARTERIAL BITUMINOUS PAVEMENT SECTION DETAIL AT A MINIMUM OR THE EXISTING PAVEMENT AND AGGREGATE BASE AND SUBBASE DEPTH WHICHEVER IS GREATER.



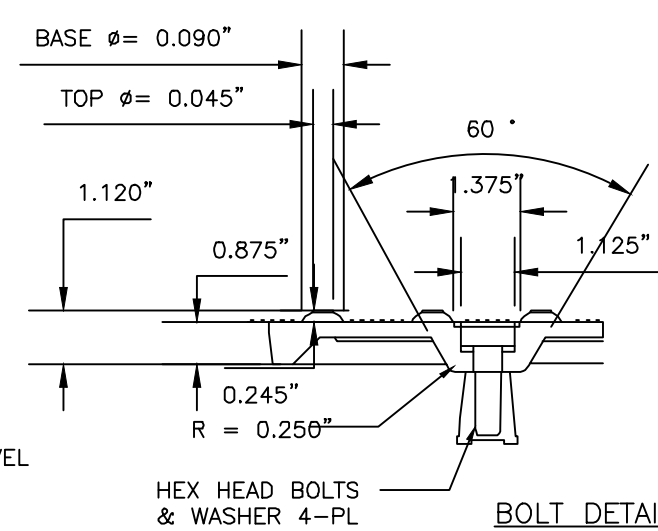
PAVEMENT SAWCUT DETAIL
NOT TO SCALE

NOTES:

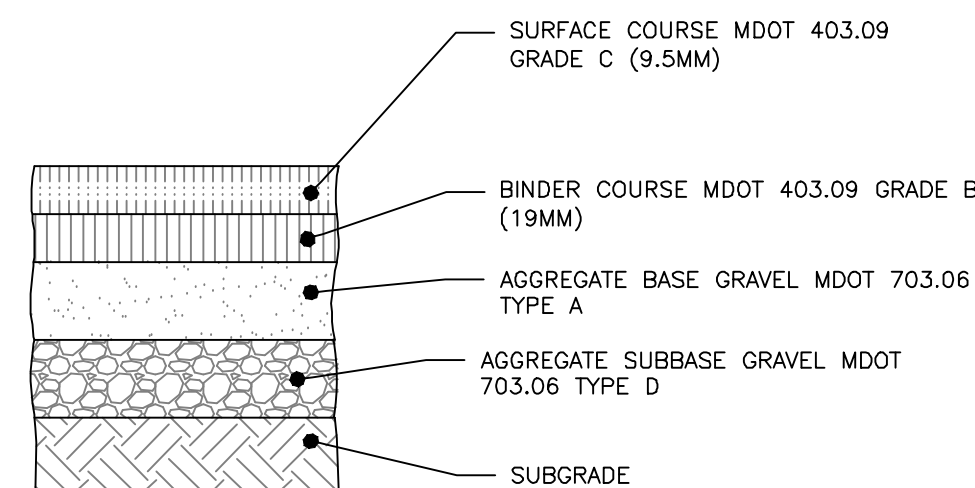
1. COMPOSITE WET SET (REPLACEABLE) DETECTABLE WARNING PANELS SHALL BE AS MANUFACTURED BY ADA SOLUTIONS, INC. (WWW.ADATILE.COM) OR APPROVED EQUAL.
2. CAST IN PLACE CONCRETE SHALL MEET SPECIFICATIONS FOR MAINE D.O.T. CLASS A STRUCTURAL CONCRETE, MINIMUM COMPRESSIVE STRENGTH 4,000 PSI. THE CONCRETE SHALL BE SEALED PRIOR TO SETTING PANELS. THE EXPOSED CONCRETE BORDER SHALL RECEIVE A GROOVED EDGE BETWEEN THE PANEL AND CONCRETE, ALONG WITH A UNIFORM BROOM FINISH PERPENDICULAR TO THE FLOW OF PEDESTRIAN TRAFFIC.
3. TRUNCATED DOMES SHALL BE ALIGNED IN ROWS, PARALLEL AND PERPENDICULAR TO THE PREDOMINANT DIRECTION OF TRAVEL. TRUNCATED DOME BRICKS AND GRANITE PAVERS ARE NOT ALLOWED.
4. FOR ALL DETECTABLE WARNING PANELS (EXCEPT AS SPECIFIED IN TECHNICAL MANUAL 1.8.4.), FEDERAL DARK GRAY COLORED (#36118) PANEL(S) SHALL BE USED. FOLLOW MANUFACTURER'S INSTRUCTIONS FOR INSTALLATION.
5. SIZE: THE DETECTABLE WARNING PANEL(S) SHALL EXTEND 24 INCHES MINIMUM IN THE DIRECTION OF TRAVEL AND THE FULL WIDTH OF THE CURB RAMP, LANDING, OR BLENDED TRANSITION TO THE STREET.
6. ORIENTATION: THE DETECTABLE WARNING PANEL SHALL BE LOCATED SO THAT THE EDGE NEAREST TO THE CURB LINE IS 6 INCHES MINIMUM AND 8 INCHES MAXIMUM FROM THE CURB LINE. THE PANEL SHALL BE ORIENTED TO THE DIRECTION OF TRAVEL AS IDENTIFIED BY THE POINT OF EGRESS.



SIDEWALK RAMP DETECTABLE WARNING PANEL
NOT TO SCALE



BOLT DETAIL

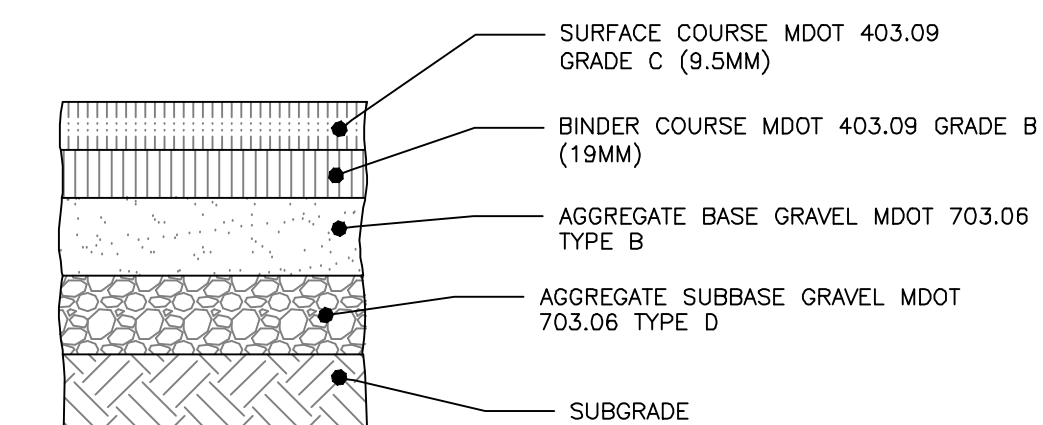


NOTES:

1. COMPACT SUBGRADE TO 95% MAXIMUM DRY DENSITY IN ACCORDANCE WITH ASTM D-1557.
2. ARTERIAL BITUMINOUS PAVEMENT PROFILE APPLIES ONLY WITHIN FORE STREET R.O.W.

THICKNESS OF LAYERS	
STANDARD	LAYERS
2"	SURFACE COURSE MDOT 403.09 GRADE C (12.5mm)
3"	BINDER COURSE MDOT 403.09 GRADE B (19mm)
6"	AGGREGATE BASE GRAVEL MDOT 703.06 TYPE B
18"	AGGREGATE SUBBASE GRAVEL MDOT 703.06 TYPE D

CITY OF PORTLAND ARTERIAL
BITUMINOUS PAVEMENT PROFILE:
FORE STREET
NOT TO SCALE

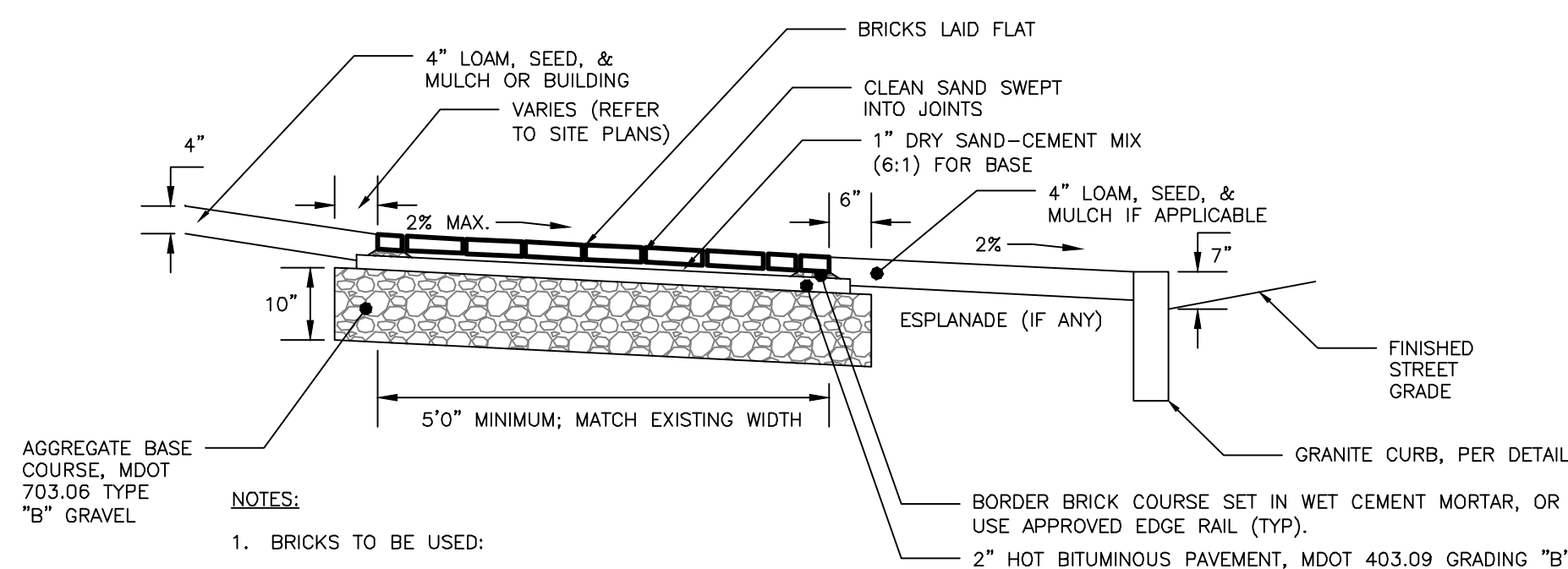


NOTES:

1. COMPACT SUBGRADE TO 95% MAXIMUM DRY DENSITY IN ACCORDANCE WITH ASTM D-1557
2. LOCAL BITUMINOUS PAVEMENT PROFILE APPLIES TO THE SITE DRIVEWAY & WATERVILLE STREET

THICKNESS OF LAYERS	
STANDARD	LAYERS
1-1/2"	SURFACE COURSE MDOT 403.09 GRADE C (9.5mm)
2"	BINDER COURSE MDOT 403.09 GRADE B (19mm)
3"	AGGREGATE BASE GRAVEL MDOT 703.06 TYPE B
15"	AGGREGATE SUBBASE GRAVEL MDOT 703.06 TYPE D

LOCAL BITUMINOUS PAVEMENT PROFILE:
WATERVILLE STREET
NOT TO SCALE



NOTES:

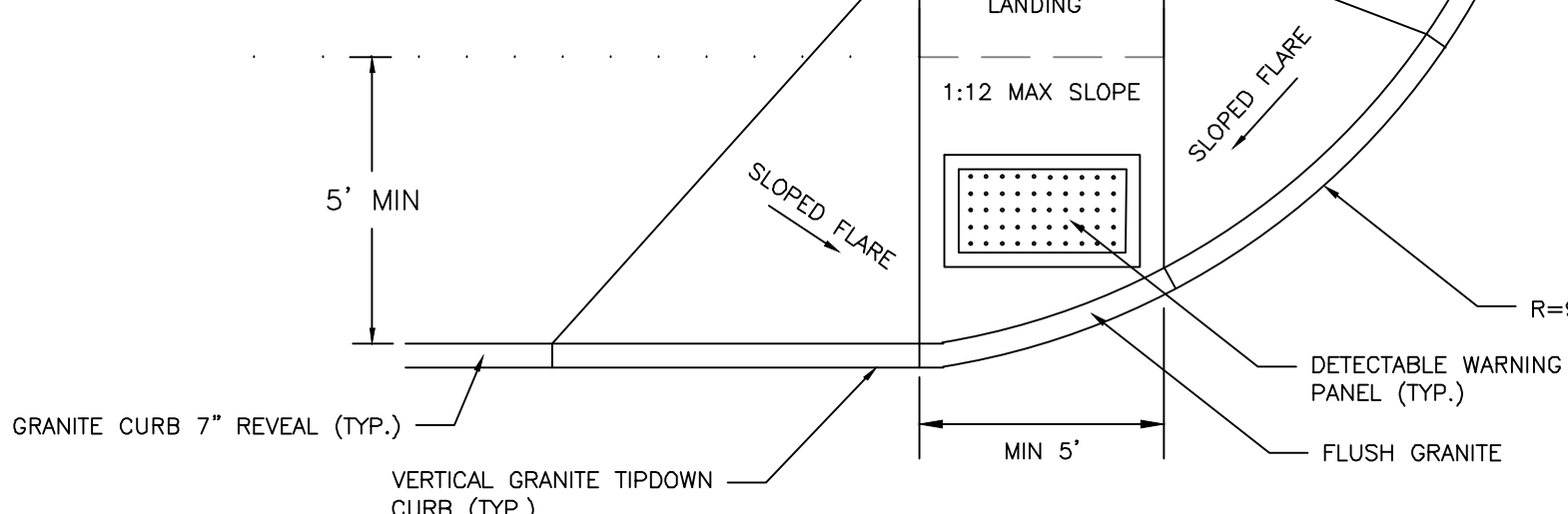
1. BRICKS TO BE USED:
NEW CONSTRUCTION:
4"x8" PINE HALL PATHWAY PAVEMENT BRICK; MFG. BY PINE HALL BRICK CO., MADISON, NORTH CAROLINA. LACHANCE ITEM #193623; PINE HALL PATHWAY PAVEMENT BRICK.
2. INSTALL BRICK FLUSH UP TO BUILDING, PAVEMENT, STAIRS, CONCRETE SURFACES, CURB OR LANDSCAPED AREAS.

BRICK SIDEWALK WITH BITUMINOUS BASE DETAIL
NOT TO SCALE

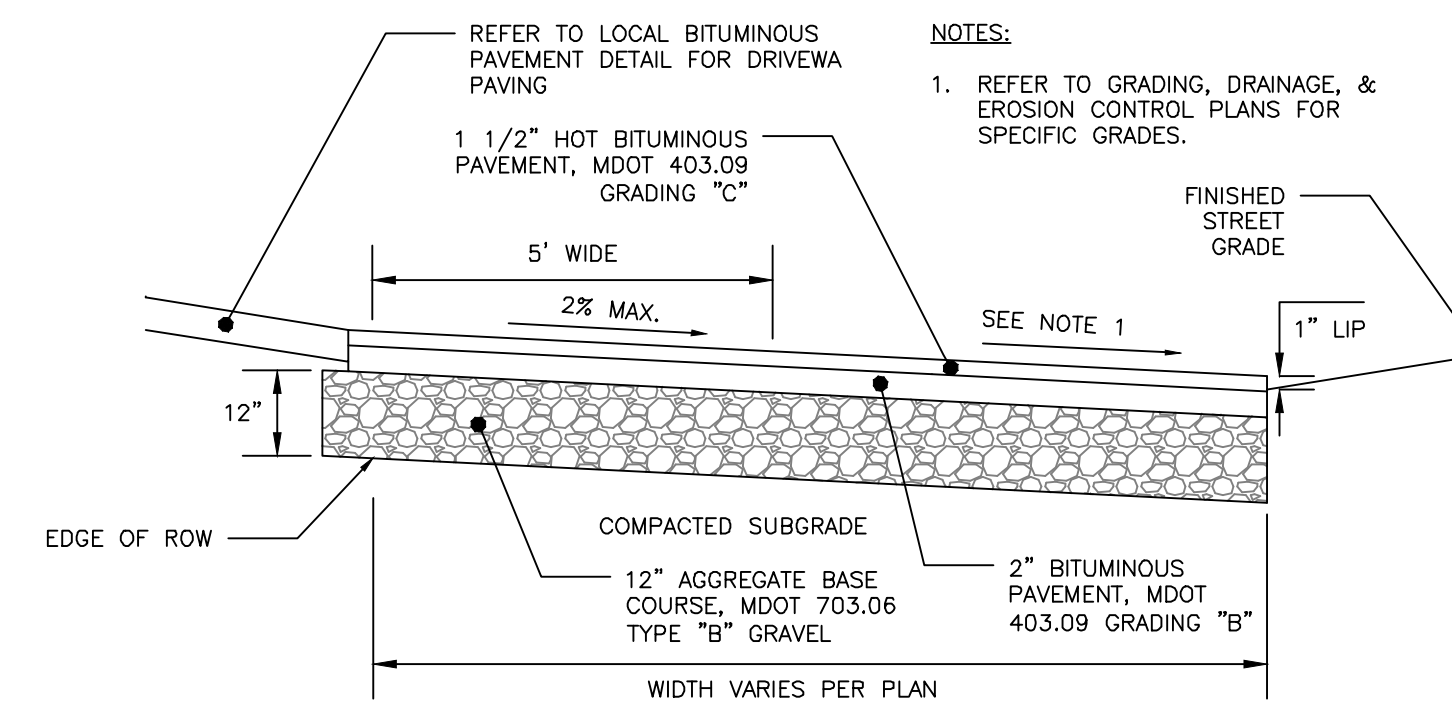
NOTES:

1. ALL RAMPS SHALL COMPLY WITH ADA STANDARDS
2. LANDING AREA MAY BE REQUIRED BASED ON SIDEWALK DIMENSIONS
3. SIDEWALK MATERIAL SHALL BE PER CITY OF PORTLAND SIDEWALK MATERIAL POLICY
4. FLARED SECTIONS SHOULD MATCH SURFACE MATERIAL USED FOR SIDEWALK CONSTRUCTION
5. 7" FLARE MINIMUM

DESIGN ELEMENT SLOPE IN DIRECTION OF TRAVEL CROSS SLOPE			
APPROACH	8.33% MAXIMUM	2%	2%
LANDING	2%	2%	MATCH STREET GRADE
RAMP	8.33% MAXIMUM	2%	MATCH STREET GRADE
FLARE	10% MAXIMUM AT CURB FACE	2%	
SIDEWALK	MATCH STREET GRADE	2%	



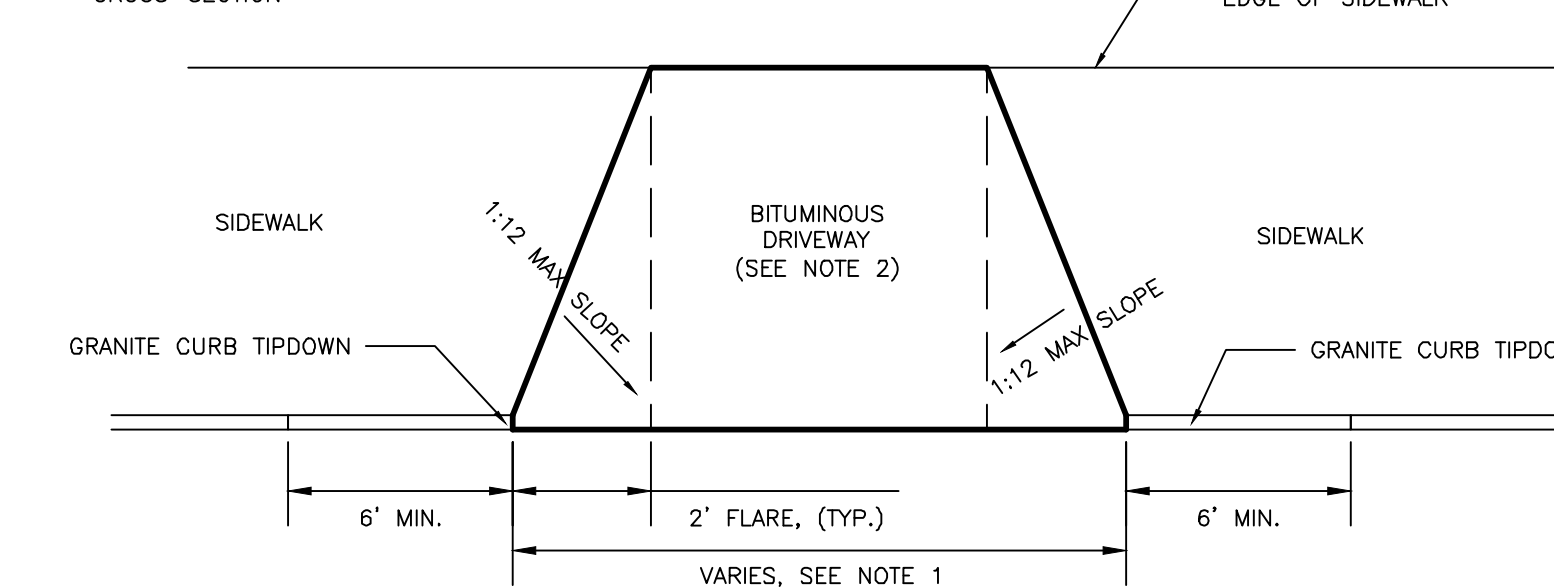
SIDEWALK RAMP
NOT TO SCALE



BITUMINOUS DRIVEWAY APRON DETAIL
NOT TO SCALE

NOTES:

1. REFER TO GRADING, DRAINAGE AND EROSION CONTROL PLANS FOR SITE GRADING
2. REFER TO BITUMINOUS DRIVEWAY APRON DETAIL FOR APRON CROSS-SECTION



DRIVEWAY APRON LAYOUT DETAIL
NOT TO SCALE

BUILDING PERMIT
ISSUED FOR CONSTRUCTION

ISSUED FOR	BY	DATE
PRELIM. APPLICATION	WHS	1/25/18
FINAL APPLICATION	WHS	3/17/18
BUILDING PERMIT	WHS	4/7/18

REVISION	REV.	DATE
----------	------	------

SITE DETAILS 1

31 FORE STREET REDEVELOPMENT

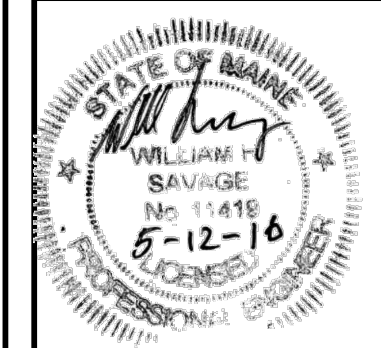
PENINSULA PROPERTY DEVELOPMENT, LLC.

ACORN ENGINEERING, INC. MAINE 04102
158 DANFORTH (207) 779-2655

ENGINEERING, INC.

REGISTERED PROFESSIONAL ENGINEER
NO. 1416
5-12-16

FILE:	1068_DETAILS
DATE:	12/28/15
JN:	1068
SCALE:	NTS
DESIGNED BY:	WHS
DRAWN BY:	WHS
CHECKED BY:	WHS



DRAWING NO.
C-40