

Job Name:

Contact:

Ordering Code:

Fixture Type:

## PRELIMINARY 621 Recessed LED Downlights - 3"

### Description

The 621 recessed LED downlight with Chroma technology provides energy efficient light using a cold remote phosphor module by XICATO®. Multiple reflector beam spreads, finishes and LiteOptics allow for creative lighting solutions to illuminate architectural spaces.

### Housing

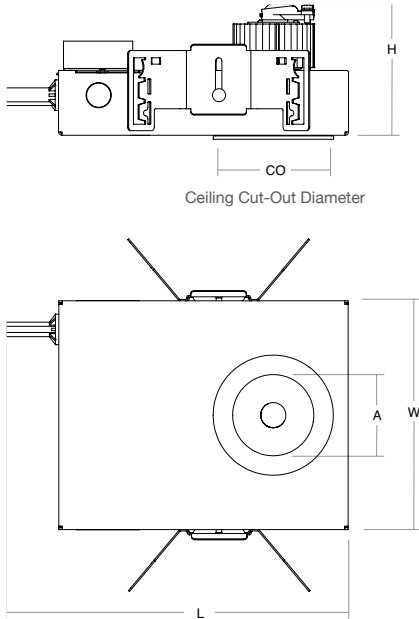
All configurations are of modular construction consisting of integral junction box from 16-gauge galvanized steel, integral driver, quick connect whip and the Module Assembly. The New Construction mounting option provides for ceiling fitting plate installation independent of the Module Assembly, allowing the finish and closing of the ceiling. 27" long steel mounting bars (MB27) are supplied for NC, IC, ICAT, or CP mounting options.

### MS-3 Mounting System

Patented 3-point bayonet latch mounting system consists of die-cast magnesium trim ring and mounting ring with adjustable throat to accommodate up to a 2" ceiling thickness. Mounting ring incorporates integral yoke and box from 16-gauge galvanized steel for easy optical assembly.

### Listings

- ETLus Listed to UL1598, cETL Listed to CSA C22.2 #250.0
- Type IC with IC, ICAT, or CP box options.
- Suitable for dry and damp locations.
- Made in the USA - meets the requirements of the Buy American provision within the ARRA.



Ceiling Cut-Out Diameter

### New Construction Dimensions

CO	H	L	W
3-3/4"	5-1/4"	11-3/4"	7-7/8"
[95mm]	[133mm]	[299mm]	[200mm]

## Ordering Codes

Follow the steps to specify your fixture, example: **621 - 3 - XTM19 - 13LM - 35K - 98 - DA60 - 277 - 10V**

Series	Aperture	LED	Delivered Lumen	CCT	CRI	Reflector	Voltage	Dimming
621	3 3"	XTM19	07LM 595 lm	27K 2700K	83 83 CRI	DA20 diffuse, 20°	120 120V	10V standard 0-10V dimming to 10%
			10LM 850 lm	30K 3000K	98 <sup>1</sup> 98 CRI	DA40 diffuse, 40°	277 277V	LUDA Lutron Hi-lume/EcoSystem A-Series -to 1%
			13LM 1105 lm	V30K 3000K Vibrant		DA60 diffuse, 60°		LUDH <sup>3</sup> Lutron EcoSystem H-Series -to 1%
			20LM 1700 lm	35K 3500K		SA20 specular, 20°		DIM10 eldoLED 0-10V dimming to 1%
			27LM 2300 lm	40K 4000K		SA40 specular, 40°		DIM10Z eldoLED 0-10V dimming to zero (0.1%)
			B27K <sup>2</sup> 2700K Beauty			SA60 specular, 60°		DALI eldoLED DALI dimming to 1%
								DALIZ eldoLED DALI dimming to zero (0.1%)

### Notes

- 98 CRI not available for 20LM and 27LM.
- B27K Beauty Series is only associated with 93 CRI and available for 07LM, 10LM and 13LM only.
- LUDH not available for 07LM and 10LM.

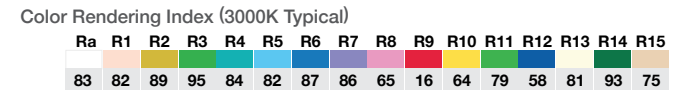
Job Name:	Contact:
Ordering Code:	Fixture Type:

## Xicato Series LED Performance

**SDCM** 1 x 2 MacAdam Ellipse  
**DUV** +/- 0.001  
**Life** L80 50,000 hrs  
**Warranty** 5 year "no color shift" warranty  
 5 year fixture warranty

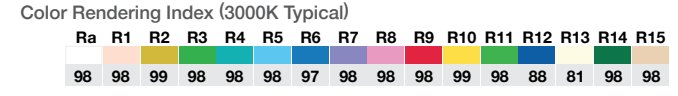
### Standard Series

**LED** Patented Cold Remote Phosphor, Xicato® XTM19 Standard Series  
**CCT** 2700k, 3000k, 3500k, 4000k  
**CRI Ra** 83 typical  
**GAI<sub>BB</sub>** 97



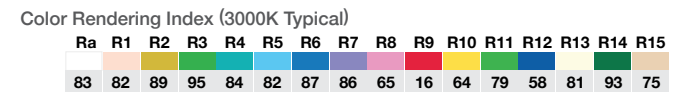
### Artist Series

**LED** Patented Cold Remote Phosphor, Xicato® XTM19 Artist Series  
**CCT** 2700k, 3000k, 3500k, 4000k  
**CRI Ra** 98 typical  
**GAI<sub>BB</sub>** 109



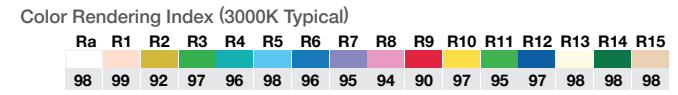
### Vibrant Series (V80)

**LED** Patented Cold Remote Phosphor, Xicato® XTM19 Vibrant Series (V80)  
**CCT** 3000k  
**CRI Ra** 83 typical  
**GAI<sub>BB</sub>** 111



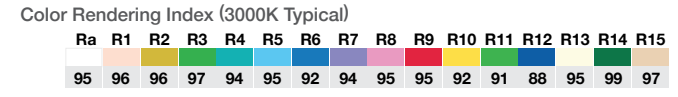
### Vibrant Series (V95)

**LED** Patented Cold Remote Phosphor, Xicato® XTM19 Vibrant Series (V95)  
**CCT** 3000k  
**CRI Ra** 98 typical  
**GAI<sub>BB</sub>** 120



### Beauty Series

**LED** Patented Cold Remote Phosphor, Xicato® XTM19 Beauty Series  
**CCT** 2700k  
**CRI Ra** 95 typical  
**GAI<sub>BB</sub>** 133



## Delivered Lumen / Wattage Chart

Source Lumens	Delivered Lumens	Fixture Wattage
700 lm	595 lm	9 W
1000 lm	850 lm	12 W
1300 lm	1105 lm	16 W
2000 lm	1700 lm	25 W
2700 lm	2300 lm	28 W

Source Lumens	Delivered Lumens	Fixture Wattage
700 lm	595 lm	11 W
1000 lm	850 lm	15 W
1300 lm	1105 lm	21 W

Source Lumens	Delivered Lumens	Fixture Wattage
700 lm	595 lm	9 W
1000 lm	850 lm	12 W
1300 lm	1105 lm	16 W
2000 lm	1700 lm	25 W
2700 lm	2300 lm	28 W

Source Lumens	Delivered Lumens	Fixture Wattage
700 lm	595 lm	11 W
1000 lm	850 lm	15 W
1300 lm	1105 lm	21 W

Source Lumens	Delivered Lumens	Fixture Wattage
700 lm	595 lm	11 W
1000 lm	850 lm	15 W
1300 lm	1105 lm	21 W

### Notes

Values presented are average. Due to installation location and environment, end use performance may vary. Refer to IES file for specific values.

Job Name:

Contact:

Ordering Code:

Fixture Type:

**Mounting and LiteOptics**

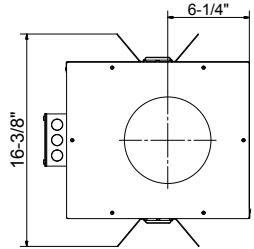
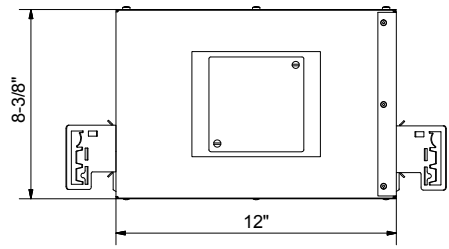
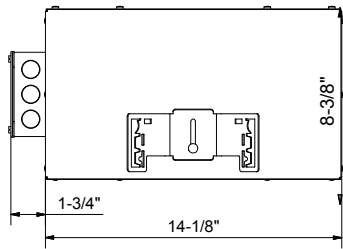
Follow the steps to specify your fixture, example:  
621 - 3 - XTM19 - 13LM - 35K - 98 - DA60 - 277 - 10V - IC

**MOUNTING OPTIONS**

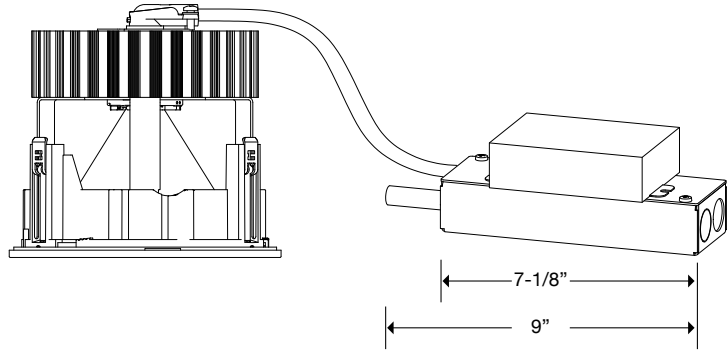
- NC** New Construction with ceiling fitting plate, for T-bar or GWB Ceilings
- IC<sup>1</sup>** IC Housing
- ICAT<sup>1</sup>** IC/Airtight housing
- CP<sup>1</sup>** Chicago Plenum Housing
- RET<sup>2</sup>** Retrofit, no ceiling pan

**Notes**

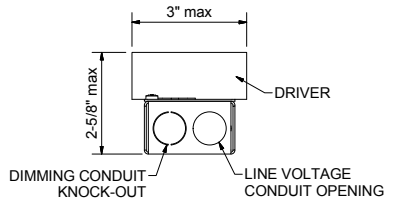
1. Plenum Clearance - 8". Adequate plenum clearance is recommendd when no above ceiling access is available for the installation or servicing of the driver box



**IC, ICAT, and CP**



**RET**



Job Name:	Contact:
Ordering Code:	Fixture Type:

**Options**

- FU** Fusing
- EM** Emergency Battery Backup
- XFMR** 480V/347V 60Hz transformer

**Transformer Option**

Housing

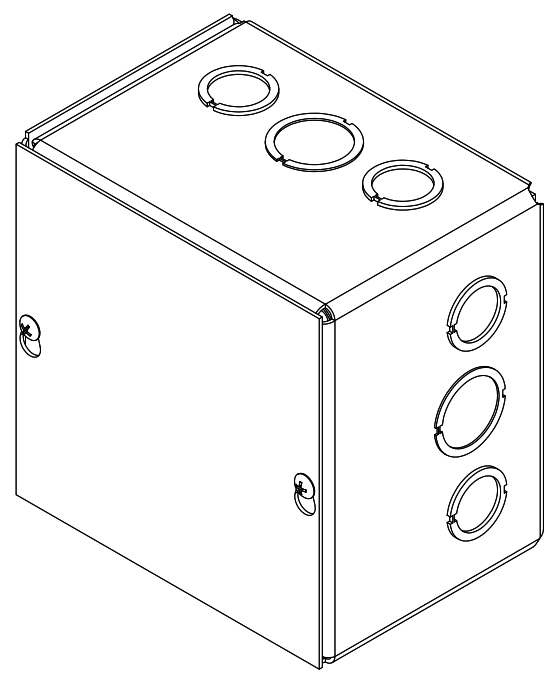
- Fabricated from 16 gauge steel
- Finish is gray polyester powder inside and out
- Flat, removable covers fastened with plated steel screws
- Cover design permits easy removal without extracting cover screws
- Mounting holes on back of box
- Available with knockouts. Removable concentric knockouts on all four sides

Electrical

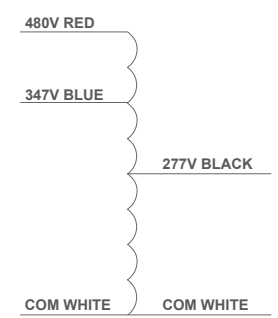
- Input Voltage: 480/347V, 60 Hz, 125VA
- Output Voltage: 277V, 60 Hz
- Max Input Current Load: 0.26A
- Non-isolated Autotransformer
- 5 Year Warranty - Industry Leading

Listings

ETLus Listed to UL???? (suitable for dry and damp locations???)  
 cETL Listed to CSA C22.2 #???.0  
 Box: UL 50 Type 1, CSA Certified, Type 1, NEMA/EEMAC Type 1

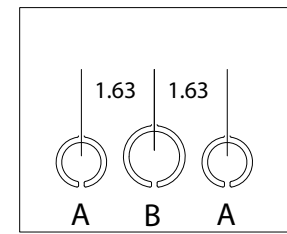
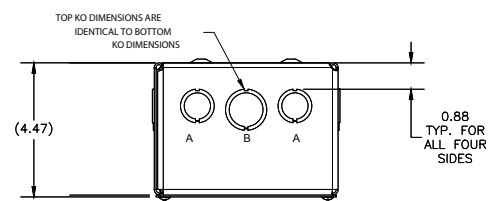
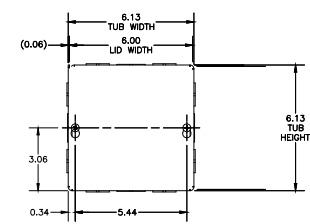


Wiring



Wiring Notes:

- Wye 480V system - Connection red (or blue for 347V) and white wires to any two phase wires.
- Delta 480V - Connect to grounded referenced legs only.



**Knockout Pattern**  
 A - 1/2" TO 3/4"  
 B - 3/4" TO 1"

Job Name:	Contact:
Ordering Code:	Fixture Type:

**Emergency Battery Back Up**

Description

UL Classified LED emergency driver that allows the same LED fixture to be used for both normal and emergency operation. In the event of a power failure, the driver switches to the emergency mode and operates the existing fixture for 90 minutes. The unit contains a battery, charger, and converter circuit in a single can. The driver will operate an LED array load at 7 watts with constant power. The Constant Power design of the driver maintains the output wattage to the LED array even as the system voltage diminishes.

Specifications

Input Voltage.....	(Universal) 120-277VAC, 50/60Hz
Input Rating (120/277).....	3.5 Watts (max)
Output Voltage <sup>1</sup> .....	10-60VDC Class 2 Compliant
Output Current.....	0.7A (@10VDC) - 0.12A (@60VDC)
Output Power.....	7 Watts (constant)
Emergency Operation.....	90 minutes
Operating Temp.....	0° to 55° C
Battery.....	High Temp Nickel-Cadmium 24 Hour Recharge 7-10 Year Life Expectancy
Approval .....	UL and CUL Classified as an LED emergency driver for field installation

Notes

- 1. Max. output voltage in emergency mode is 58.5 VDC with a + tolerance of 1.5 volts

Features

- UL Classified for Field Installation
- UL 1310 Certified, Output Class 2 Compliant
- Long life high temperature recyclable Ni-Cad battery
- Galvanized steel case
- Includes single-piece TBTS test switch and charge indicator accessory kit
- For use with switched or unswitched fixtures
- 5-Year Warranty.
- Meets or exceeds all National Electrical Code and Life Safety Code Emergency Lighting Requirements
- Listed for use in damp locations and in enclosed and gasketed fixtures.

Dimensions

13.0" x 2.2" x 1.25" (mounting center 12.6")

