

Job Name:	Contact:
Ordering Code:	Fixture Type:

PRELIMINARY 621 Recessed LED Downlights - 3"

Description

The 621 recessed LED downlight with Chroma technology provides energy efficient light using a cold remote phosphor module by XICATO®. Multiple reflector beam spreads, finishes and LiteOptics allow for creative lighting solutions to illuminate architectural spaces.

Housing

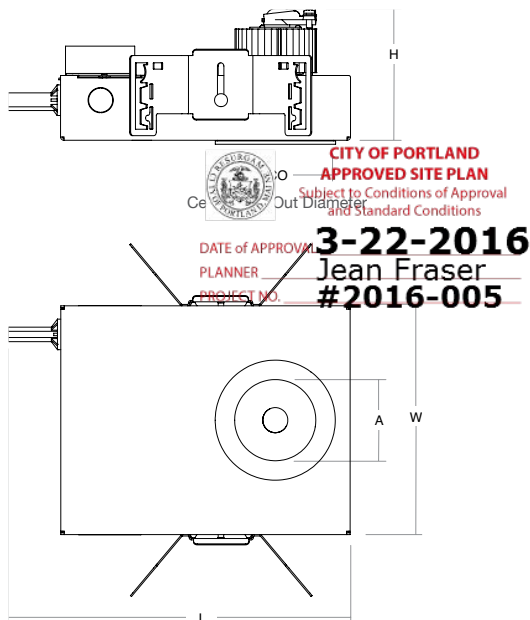
All configurations are of modular construction consisting of integral junction box from 16-gauge galvanized steel, integral driver, quick connect whip and the Module Assembly. The New Construction mounting option provides for ceiling fitting plate installation independent of the Module Assembly, allowing the finish and closing of the ceiling. 27" long steel mounting bars (MB27) are supplied for NC, IC, ICAT, or CP mounting options.

MS-3 Mounting System

Patented 3-point bayonet latch mounting system consists of die-cast magnesium trim ring and mounting ring with adjustable throat to accommodate up to a 2" ceiling thickness. Mounting ring incorporates integral yoke and box from 16-gauge galvanized steel for easy optical assembly.

Listings

- ETLus Listed to UL1598, cETL Listed to CSA C22.2 #250.0
- Type IC with IC, ICAT, or CP box options.
- Suitable for dry and damp locations.
- Made in the USA - meets the requirements of the Buy American provision within the ARRA.



New Construction Dimensions

CO	H	L	W
3-3/4"	5-1/4"	11-3/4"	7-7/8"
[95mm]	[133mm]	[299mm]	[200mm]

Ordering Codes

Follow the steps to specify your fixture, example: **621 - 3 - XTM19 - 13LM - 35K - 98 - DA60 - 277 - 10V**

Series	Aperture	LED	Delivered Lumen	CCT	CRI	Reflector	Voltage	Dimming
621	3 3"	XTM19	07LM 595 lm	27K 2700K	83 83 CRI 98 ¹ 98 CRI	DA20 diffuse, 20°	120 120V 277 277V	10V standard 0-10V dimming to 10%
			10LM 850 lm	30K 3000K		DA40 diffuse, 40°		LUDA Lutron Hi-lume/EcoSystem A-Series -to 1%
			13LM 1105 lm	V30K 3000K Vibrant		DA60 diffuse, 60°		LUDH ³ Lutron EcoSystem H-Series -to 1%
			20LM 1700 lm	35K 3500K		SA20 specular, 20°		DIM10 eldoLED 0-10V dimming to 1%
			27LM 2300 lm	40K 4000K		SA40 specular, 40°		DIM10Z eldoLED 0-10V dimming to zero (0.1%)
			B27K ² 2700K Beauty			SA60 specular, 60°	DALI eldoLED DALI dimming to 1%	
							DALIZ eldoLED DALI dimming to zero (0.1%)	

Notes

1. 98 CRI not available for 20LM and 27LM.
2. B27K Beauty Series is only associated with 93 CRI and available for 07LM, 10LM and 13LM only.
3. LUDH not available for 07LM and 10LM.

Job Name:

Contact:

Ordering Code:

Fixture Type:

Xicato Series LED Performance

SDCM 1 x 2 MacAdam Ellipse
DUV +/- 0.001
Life L80 50,000 hrs
Warranty 5 year "no color shift" warranty
 5 year fixture warranty

Standard Series

LED Patented Cold Remote Phosphor, Xicato® XTM19 Standard Series
CCT 2700k, 3000k, 3500k, 4000k
CRI Ra 83 typical
GAI_{BB} 97

Color Rendering Index (3000K Typical)

Ra	R1	R2	R3	R4	R5	R6	R7	R8	R9	R10	R11	R12	R13	R14	R15
83	82	89	95	84	82	87	86	65	16	64	79	58	81	93	75

Artist Series

LED Patented Cold Remote Phosphor, Xicato® XTM19 Artist Series
CCT 2700k, 3000k, 3500k, 4000k
CRI Ra 98 typical
GAI_{BB} 109

Color Rendering Index (3000K Typical)

Ra	R1	R2	R3	R4	R5	R6	R7	R8	R9	R10	R11	R12	R13	R14	R15
98	98	99	98	98	98	97	98	98	98	99	98	88	81	98	98

Vibrant Series (V80)

LED Patented Cold Remote Phosphor, Xicato® XTM19 Vibrant Series (V80)
CCT 3000k
CRI Ra 83 typical
GAI_{BB} 111

Color Rendering Index (3000K Typical)

Ra	R1	R2	R3	R4	R5	R6	R7	R8	R9	R10	R11	R12	R13	R14	R15
83	82	89	95	84	82	87	86	65	16	64	79	58	81	93	75

Vibrant Series (V95)

LED Patented Cold Remote Phosphor, Xicato® XTM19 Vibrant Series (V95)
CCT 3000k
CRI Ra 98 typical
GAI_{BB} 120

Color Rendering Index (3000K Typical)

Ra	R1	R2	R3	R4	R5	R6	R7	R8	R9	R10	R11	R12	R13	R14	R15
98	99	92	97	96	98	96	95	94	90	97	95	97	98	98	98

Beauty Series

LED Patented Cold Remote Phosphor, Xicato® XTM19 Beauty Series
CCT 2700k
CRI Ra 95 typical
GAI_{BB} 133

Color Rendering Index (3000K Typical)

Ra	R1	R2	R3	R4	R5	R6	R7	R8	R9	R10	R11	R12	R13	R14	R15
95	96	96	97	94	95	92	94	95	95	92	91	88	95	99	97

Notes

Values presented are average. Due to installation location and environment, end use performance may vary. Refer to IES file for specific values.

Delivered Lumen / Wattage Chart

Source Lumens	Delivered Lumens	Fixture Wattage
700 lm	595 lm	9 W
1000 lm	850 lm	12 W
1300 lm	1105 lm	16 W
2000 lm	1700 lm	25 W
2700 lm	2300 lm	28 W

Source Lumens	Delivered Lumens	Fixture Wattage
700 lm	595 lm	11 W
1000 lm	850 lm	15 W
1300 lm	1105 lm	21 W

Source Lumens	Delivered Lumens	Fixture Wattage
700 lm	595 lm	9 W
1000 lm	850 lm	12 W
1300 lm	1105 lm	16 W
2000 lm	1700 lm	25 W
2700 lm	2300 lm	28 W

Source Lumens	Delivered Lumens	Fixture Wattage
700 lm	595 lm	11 W
1000 lm	850 lm	15 W
1300 lm	1105 lm	21 W

Source Lumens	Delivered Lumens	Fixture Wattage
700 lm	595 lm	11 W
1000 lm	850 lm	15 W
1300 lm	1105 lm	21 W

Job Name:

Contact:

Ordering Code:

Fixture Type:

Mounting and LiteOptics

Follow the steps to specify your fixture, example:

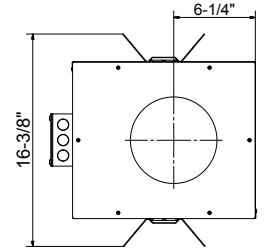
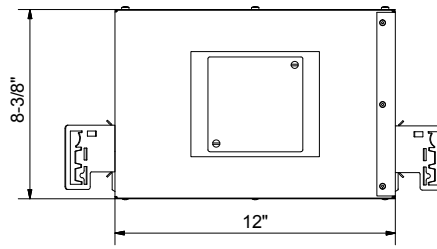
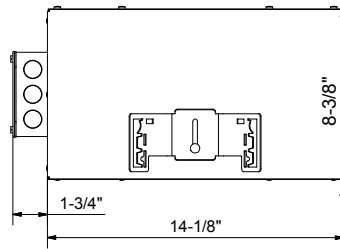
621 - 3 - XTM19 - 13LM - 35K - 98 - DA60 - 277 - 10V - IC

MOUNTING OPTIONS

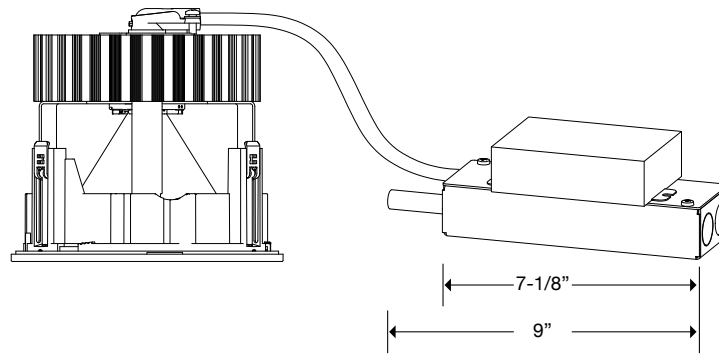
- NC** New Construction with ceiling fitting plate, for T-bar or GWB Ceilings
- IC¹** IC Housing
- ICAT¹** IC/Airtight housing
- CP¹** Chicago Plenum Housing
- RET²** Retrofit, no ceiling pan

Notes

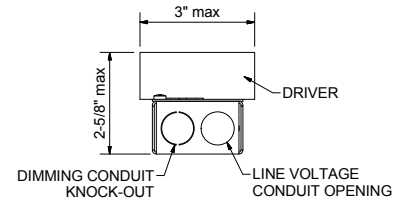
1. Plenum Clearance - 8". Adequate plenum clearance is recommendd when no above ceiling access is available for the installation or servicing of the driver box



IC, ICAT, and CP



RET



Job Name:	Contact:
Ordering Code:	Fixture Type:

Options

- FU** Fusing
- EM** Emergency Battery Backup
- XFMR** 480V/347V 60Hz transformer

Transformer Option

Housing

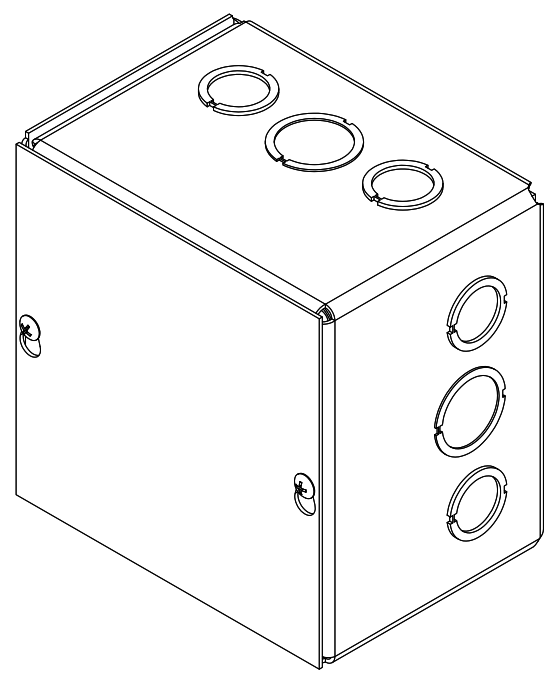
- Fabricated from 16 gauge steel
- Finish is gray polyester powder inside and out
- Flat, removable covers fastened with plated steel screws
- Cover design permits easy removal without extracting cover screws
- Mounting holes on back of box
- Available with knockouts. Removable concentric knockouts on all four sides

Electrical

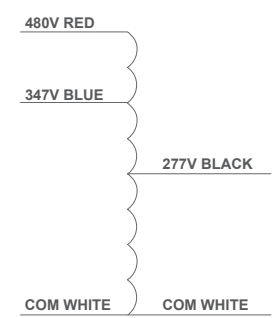
- Input Voltage: 480/347V, 60 Hz, 125VA
- Output Voltage: 277V, 60 Hz
- Max Input Current Load: 0.26A
- Non-isolated Autotransformer
- 5 Year Warranty - Industry Leading

Listings

ETLus Listed to UL???? (suitable for dry and damp locations???)
 cETL Listed to CSA C22.2 #???.0
 Box: UL 50 Type 1, CSA Certified, Type 1, NEMA/EEMAC Type 1

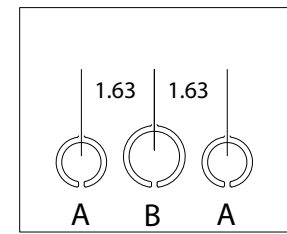
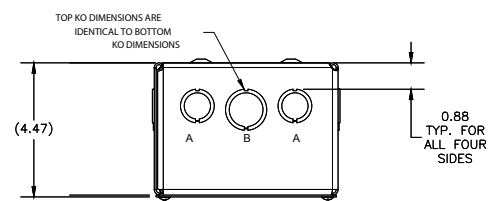
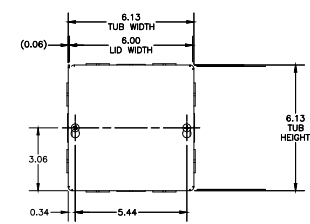


Wiring



Wiring Notes:

- Wye 480V system - Connection red (or blue for 347V) and white wires to any two phase wires.
- Delta 480V - Connect to grounded referenced legs only.



Knockout Pattern
 A - 1/2" TO 3/4"
 B - 3/4" TO 1"

Job Name:	Contact:
Ordering Code:	Fixture Type:

Emergency Battery Back Up

Description

UL Classified LED emergency driver that allows the same LED fixture to be used for both normal and emergency operation. In the event of a power failure, the driver switches to the emergency mode and operates the existing fixture for 90 minutes. The unit contains a battery, charger, and converter circuit in a single can. The driver will operate an LED array load at 7 watts with constant power. The Constant Power design of the driver maintains the output wattage to the LED array even as the system voltage diminishes.

Specifications

Input Voltage.....	(Universal) 120-277VAC, 50/60Hz
Input Rating (120/277).....	3.5 Watts (max)
Output Voltage ¹	10-60VDC Class 2 Compliant
Output Current.....	0.7A (@10VDC) - 0.12A (@60VDC)
Output Power.....	7 Watts (constant)
Emergency Operation.....	90 minutes
Operating Temp.....	0° to 55° C
Battery.....	High Temp Nickel-Cadmium 24 Hour Recharge 7-10 Year Life Expectancy
Approval	UL and CUL Classified as an LED emergency driver for field installation

Notes

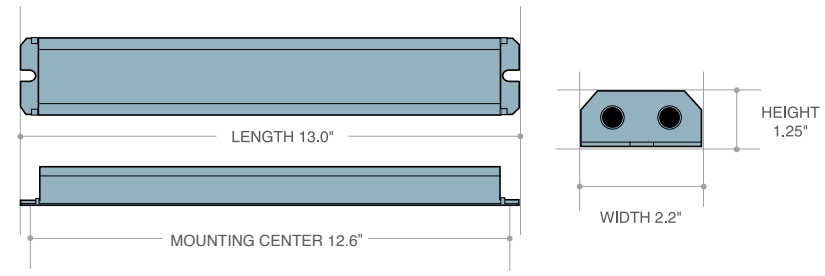
- 1. Max. output voltage in emergency mode is 58.5 VDC with a + tolerance of 1.5 volts

Features

- UL Classified for Field Installation
- UL 1310 Certified, Output Class 2 Compliant
- Long life high temperature recyclable Ni-Cad battery
- Galvanized steel case
- Includes single-piece TBTS test switch and charge indicator accessory kit
- For use with switched or unswitched fixtures
- 5-Year Warranty.
- Meets or exceeds all National Electrical Code and Life Safety Code Emergency Lighting Requirements
- Listed for use in damp locations and in enclosed and gasketed fixtures.

Dimensions

13.0" x 2.2" x 1.25" (mounting center 12.6")



Surface washers · asymmetrical wide spread light distribution

Post construction: One piece extruded aluminum, 1/8" wall thickness internally welded to a die-cast base plate cover.

Enclosure: One piece die-cast aluminum housing connected to the post/pole by a two piece, die-cast aluminum knuckle. The knuckle has infinite adjustability from 0° to 90° and is secured by one stainless steel fastener. Fully gasketed using a one piece molded high temperature silicone gasket and provided with a pure anodized matte aluminum reflector. Molded 1/4" thick etched tempered glass secured by a one piece die-cast aluminum frame secured to the housing with four stainless steel captive fasteners. Die castings are marine grade, copper free (≤ 0.3% copper content) A360.0 aluminum alloy.

Electrical: 26W LED luminaire, 31 total system watts, -30°C start temperature. Integral 120V through 277V electronic LED driver, 0-10V dimming. LED module(s) are available from factory for easy replacement. Standard LED color temperature is 3000K with an 85 CRI. Available in 4000K (85 CRI); add suffix K4 to order.

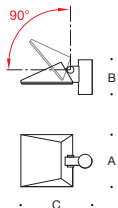
Anchor base: Pole Mount; Mounts to #896A anchorage kit (supplied).

Finish: All BEGA standard finishes are polyester powder coat with minimum 3 mil thickness. Available in four standard BEGA colors: Black (BLK); White (WHT); Bronze (BRZ); Silver (SLV). To specify, add appropriate suffix to catalog number. Custom colors supplied on special order.

CSA certified to U.S. and Canadian standards, suitable for wet locations. Protection class IP65

Weight: 8.8 lbs.

Type:
 BEGA Product:
 Project:
 Voltage:
 Color:
 Options:
 Modified:



Pole mounted · assymetrical wide spread

Lamp	A	B	C	Anchorage
99878 26W LED	10 1/4	98 1/2	12 1/2	79818

LED wall luminaires with directed light

Housing: One piece die-cast aluminum for direct attachment to a BEGA 19544 small opening wiring box. Die castings are marine grade, copper free ($\leq 0.3\%$ copper content) A360.0 aluminum alloy.

Enclosure: One piece die-cast aluminum cover frame secured by a captive, stainless steel set screws threaded into a stainless steel insert. Matte safety glass. Fully gasketed for weather tight operation using a molded silicone rubber gasket.

Electrical: 2.2W LED luminaire, 3.7 total system watts, -30°C start temperature. Integral 120V through 277V electronic LED driver. LED module(s) are available from factory for easy replacement. Standard LED color temperature is 3000K with an >80 CRI. Available in 4000K (>80 CRI); add suffix K4 to order.

Note: LEDs supplied with luminaire. Due to the dynamic nature of LED technology, LED luminaire data on this sheet is subject to change at the discretion of BEGA-US. For the most current technical data, please refer to www.bega-us.com.

Finish: All BEGA standard finishes are polyester powder coat with minimum 3 mil thickness. Available in four standard BEGA colors: Black (BLK); White (WHT); Bronze (BRZ); Silver (SLV). To specify, add appropriate suffix to catalog number. Custom colors supplied on special order.

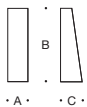
CSA certified to U.S. and Canadian standards, suitable for wet locations. Protection class IP64

Weight: 0.5 lbs.

Luminaire Lumens: 128

Tested in accordance with LM-79-08

Type:
 BEGA Product:
 Project:
 Voltage:
 Color:
 Options:
 Modified:



		Lamps	A	B	C	Wiring box*
33513*	ADA	2.2W LED	2 $\frac{1}{8}$	5 $\frac{1}{2}$	2 $\frac{3}{8}$	19544

* Small opening wiring box included.

BEGA-US 1000 BEGA Way, Carpinteria, CA 93013 (805) 684-0533 FAX (805) 566-9474 www.bega-us.com

©copyright BEGA-US 2016 Updated 05/16