

PETIT RESIDENCE
23 WATERVILLE STREET
PORTLAND, MAINE

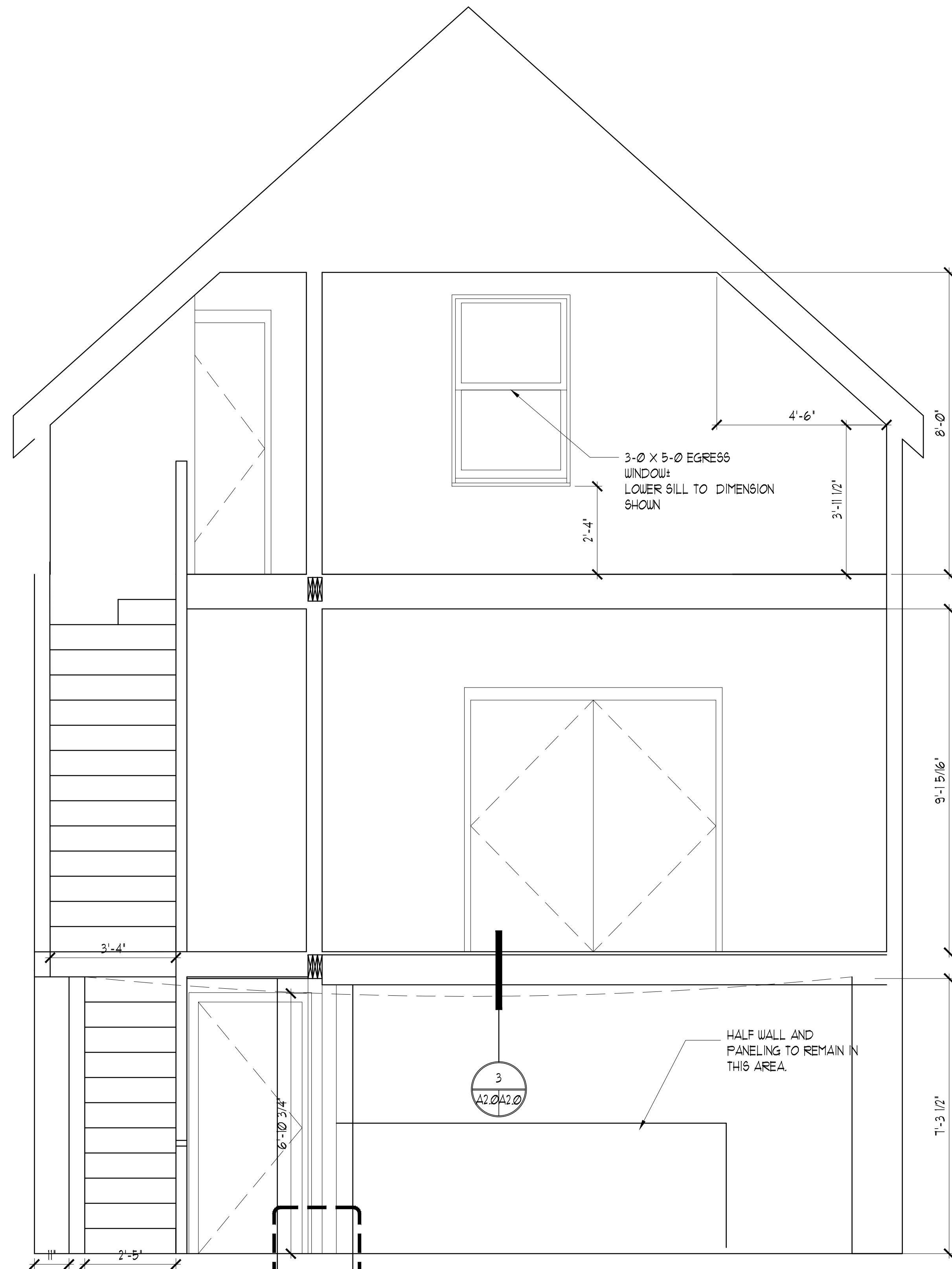
#	DATE	DESCRIPTION	REVISIONS
1	10.11.13	RE-ENTRY REV	

Date Issued: 12.3.13
Project Number: 13204
Drawing Scale: AS NOTED
SHEET NAME:

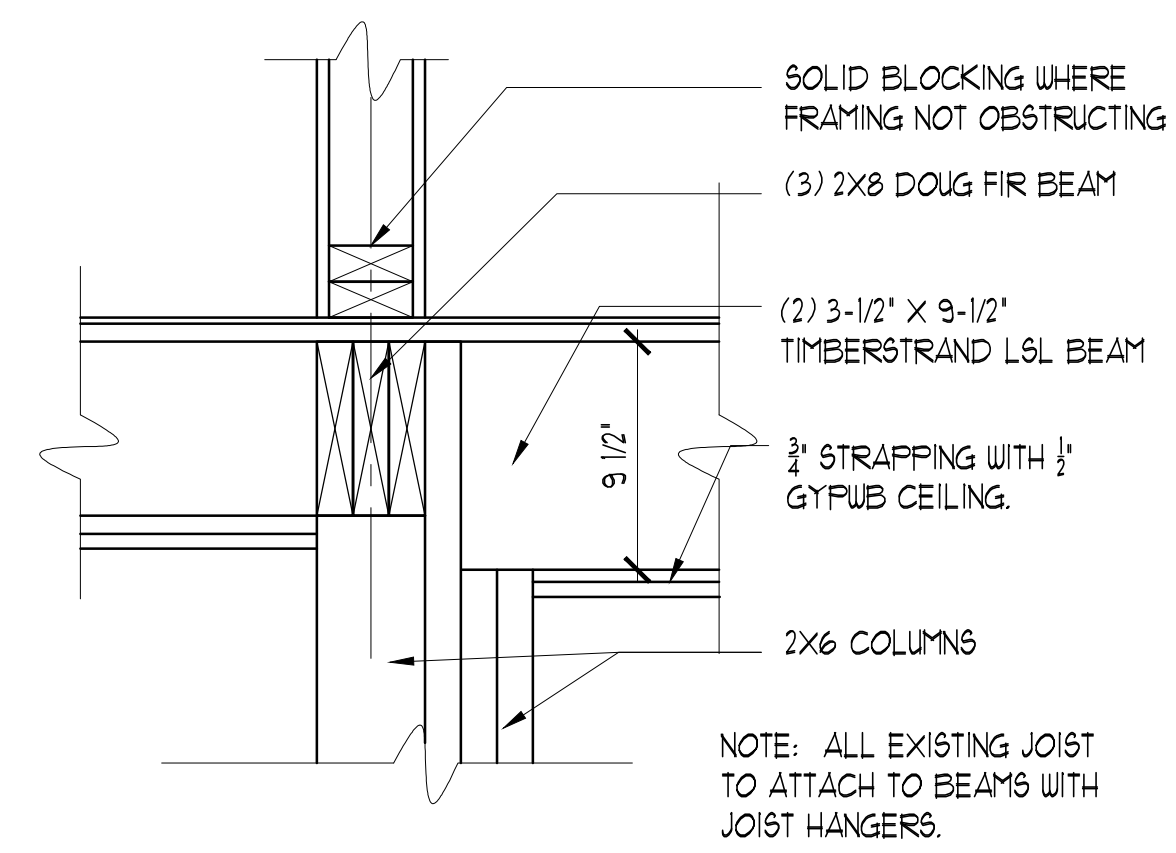
SECTION AND DETAILS

Drawn By:	KJS
Checked By:	JCC

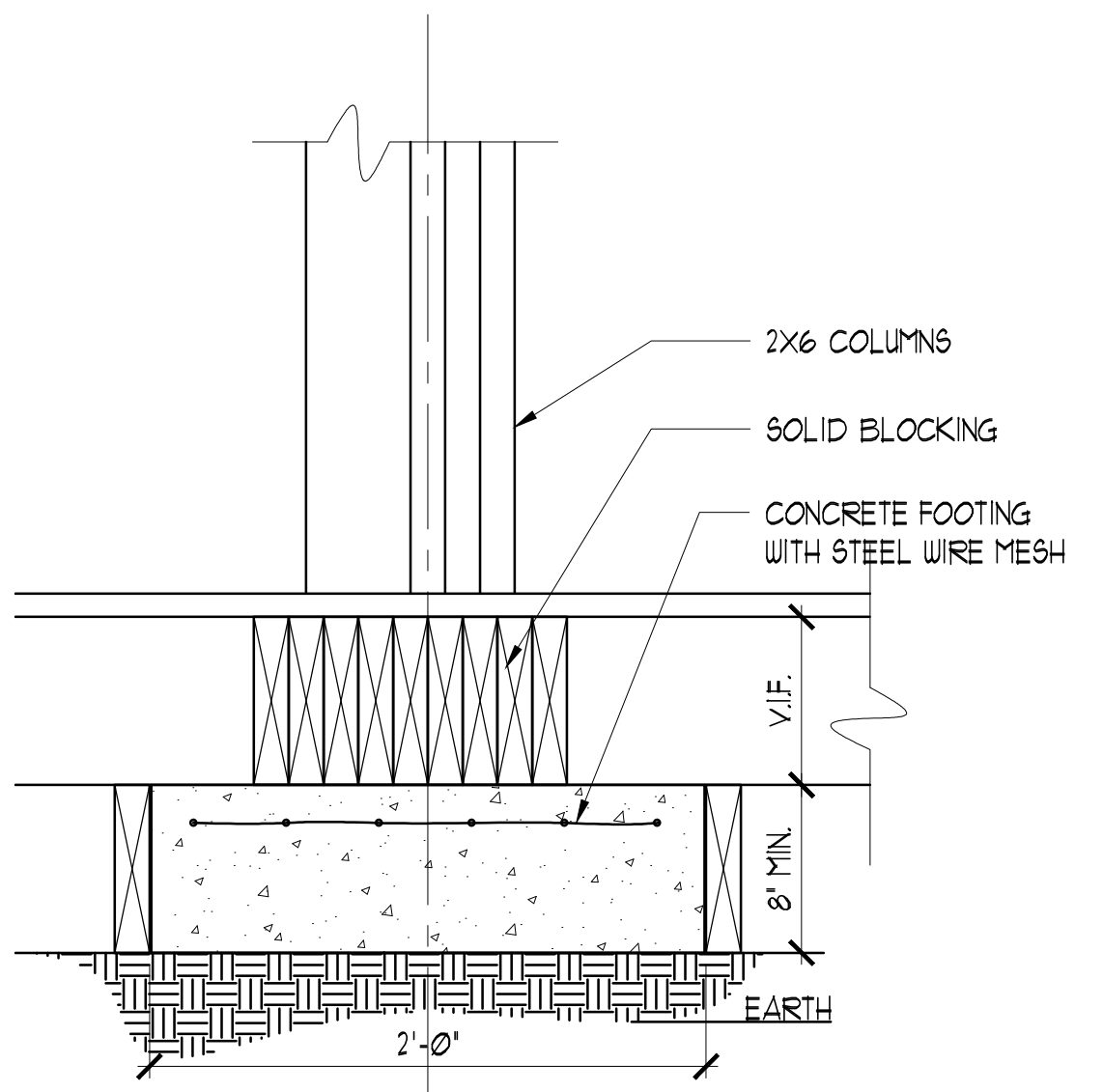
A2.0



1 SECTION
SCALE: 1/4" = 1'-0"



3 BEAM CONNECTION DETAIL
SCALE: 1/4" = 1'-0"



2 SUPPORT DETAIL
SCALE: 1/4" = 1'-0"

IF THIS SHEET IS NOT 24 X 36 IT IS A REDUCED SCALE PRINT - SCALE ACCORDINGLY

SCALE: 1/2" = 1'
SCALE: 3/4" = 1'
SCALE: 1/4" = 1'
SCALE: 1/8" = 1'
SCALE: 1/16" = 1'