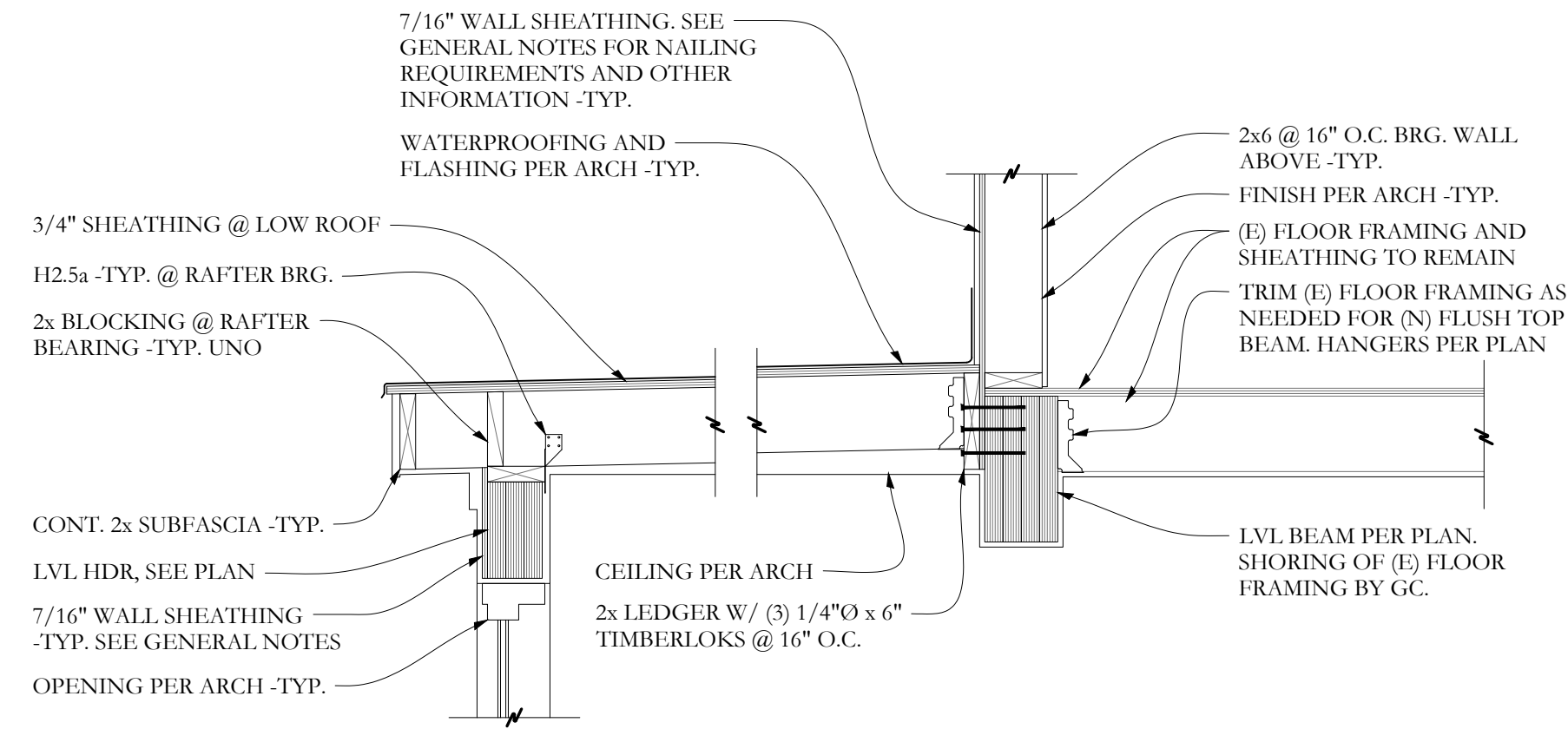
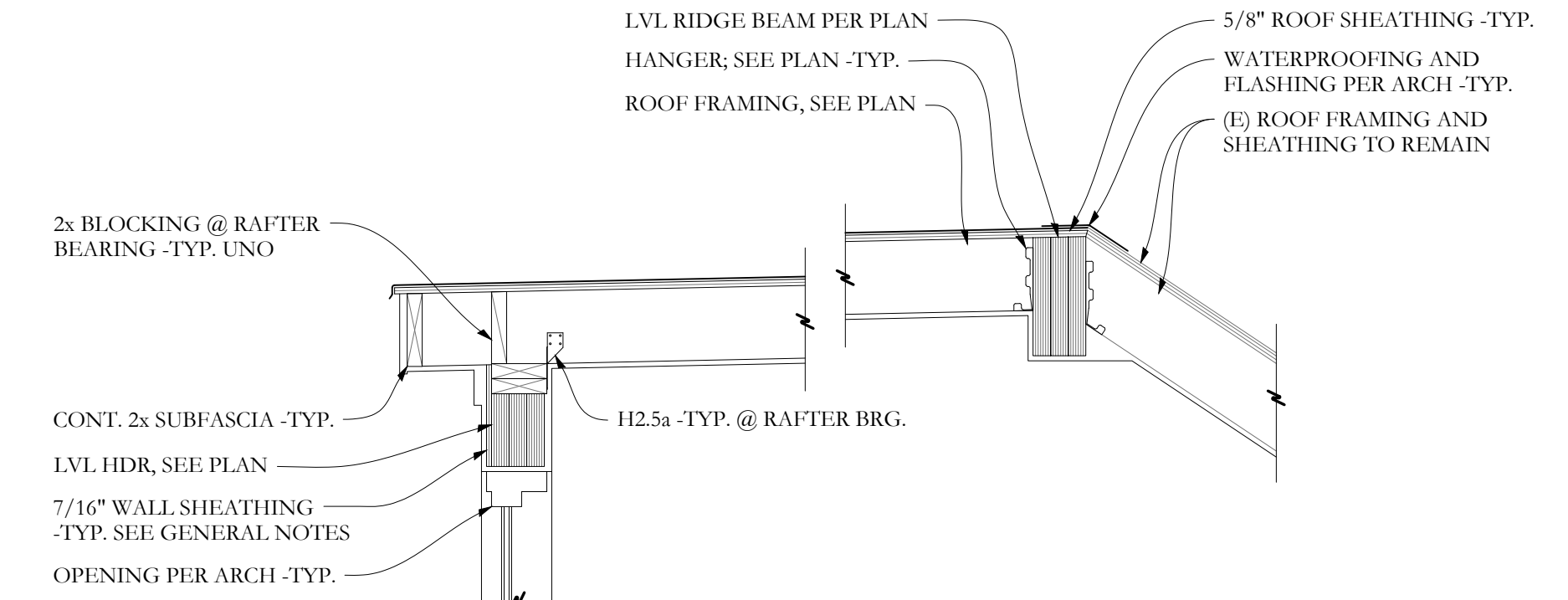


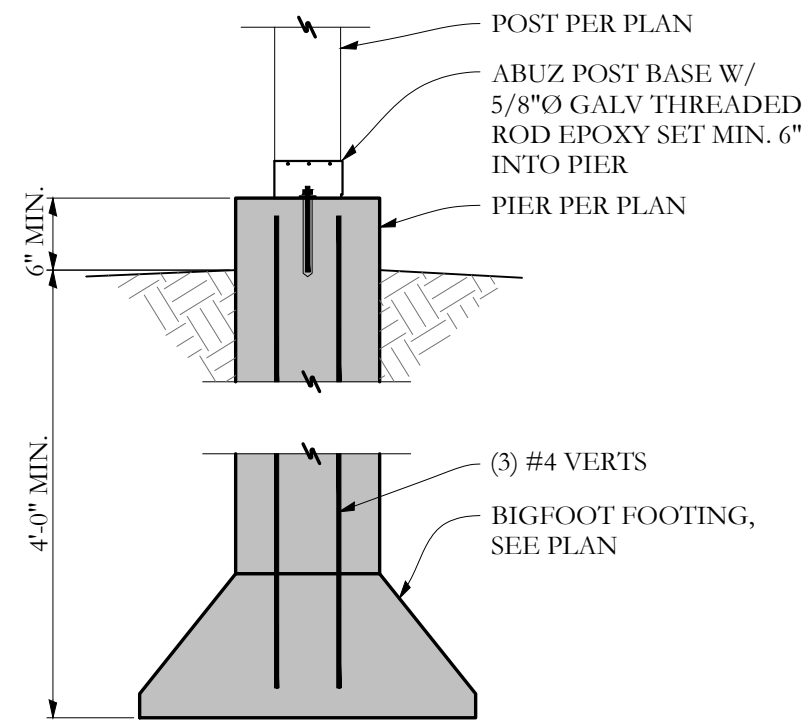
SECTION D 3/4"=1'-0"



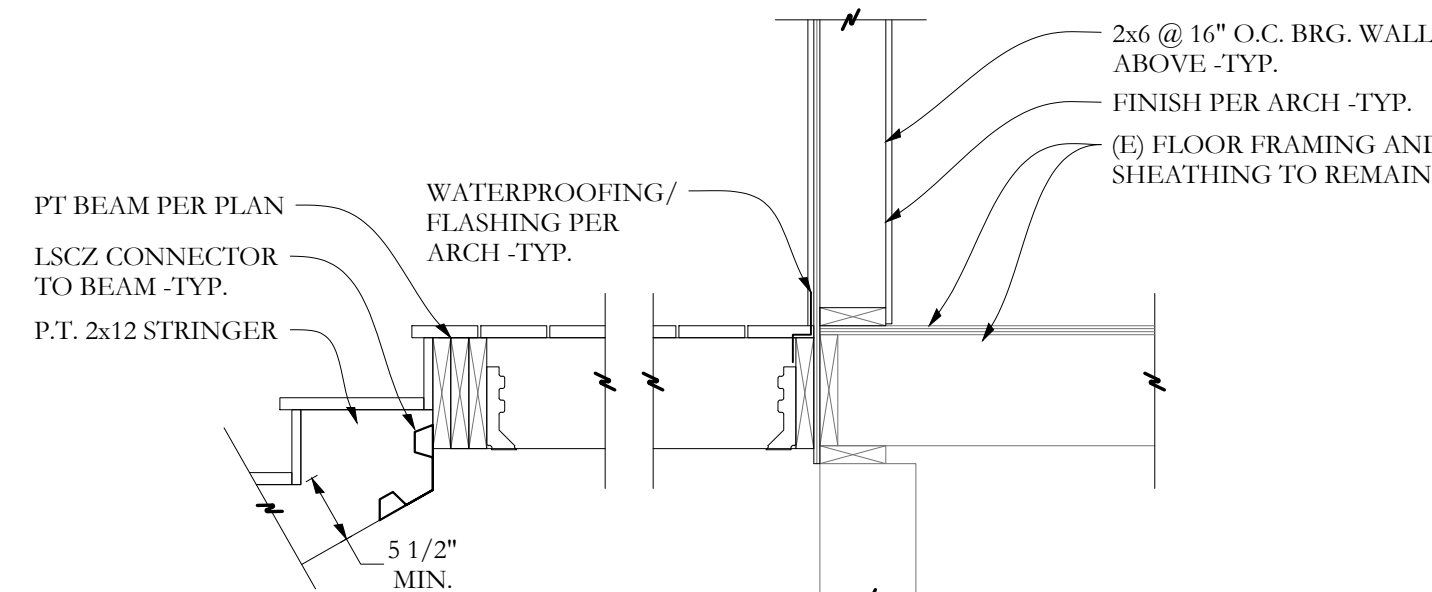
SECTION E 3/4"=1'-0"



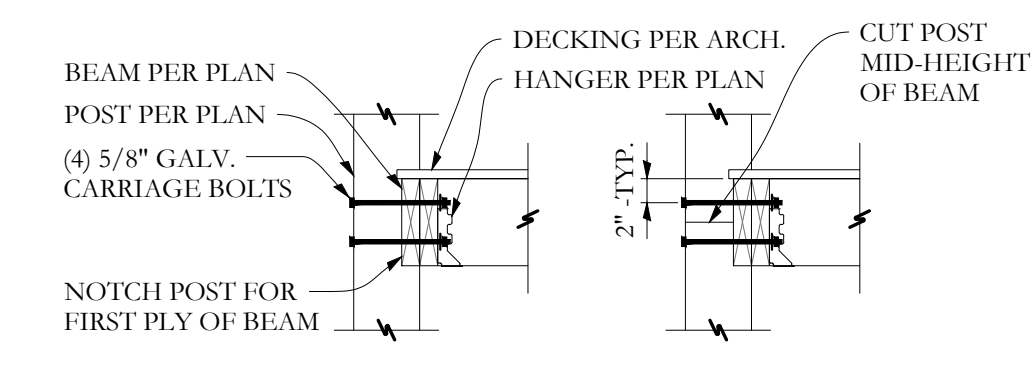
SECTION F 3/4"=1'-0"



SECTION A 3/4"=1'-0"
TYPICAL DECK PIER



SECTION B 3/4"=1'-0"



SECTION C 3/4"=1'-0"
TYPICAL DECK BEAM ATTACHMENT

Prepared For:

MARY CASALE

39 WATERVILLE STREET
PORTLAND, MAINE

Consultant:

ARCHETYPE
architects

48 Union Wharf Portland, ME 04101
(207) 772-6022 ARCHETYPE@ARCHETYPEPA.COM

Project:

39 WATERVILLE

39 Waterville Street
Portland, Maine

Revisions:

FOR PERMIT

Scale:

AS NOTED

Date:

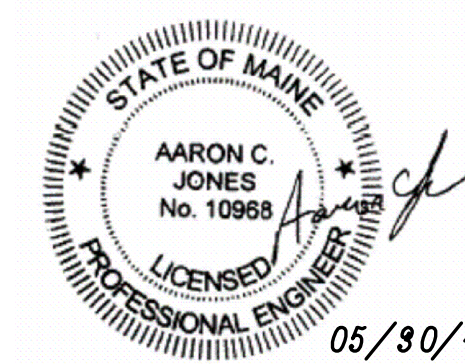
MAY 30, 2017

DETAILS

S2.1

Structural Integrity
Consulting Engineers, Inc.

77 Oak Street
Portland, ME, 04101
p. 207-774-4614
f. 866-792-7835
www.structuralintegrity.com



05/30/17

BUILD WITH CONFIDENCE
©2017 Structural Integrity Consulting Engineers, Inc.

SI# 17-0096