



Prepared For:
MARY CASALE
P.O. Box 7486
Portland, ME 04112

Consultant:
ARCHETYPE architects
48 Union Wharf Portland, Maine 04101
(207) 772-6022 ARCHETYPE@ARCHETYPEPA.COM

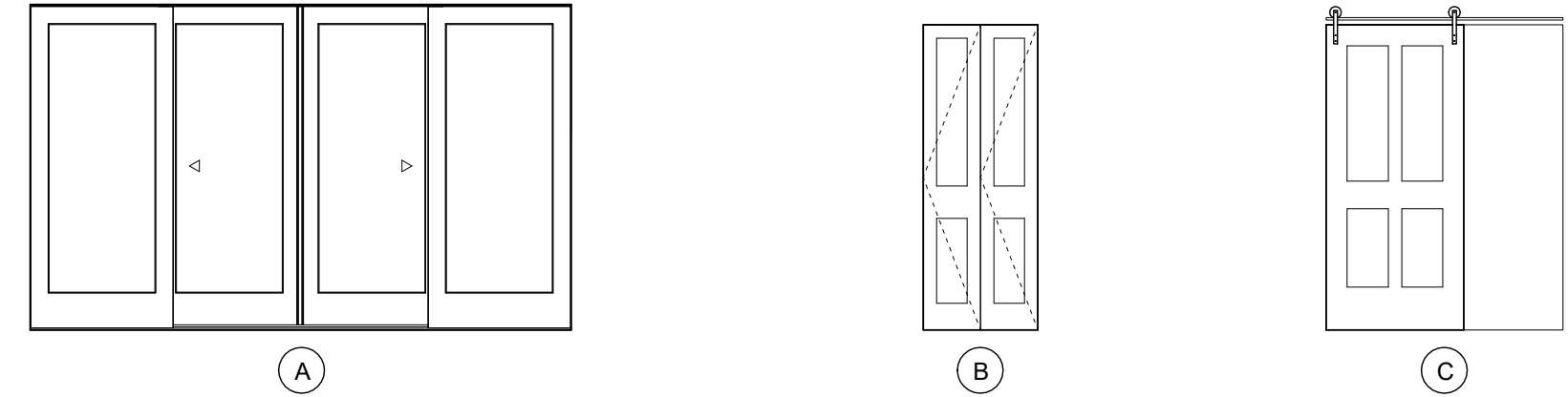
Project:
39 WATERVILLE
39 Waterville Street
Portland, Maine

Revisions:
Date: **MAY 30 2017**
Scale: **1/4" = 1'-0"**
DOOR AND WINDOW SCHEDULE

A8.01

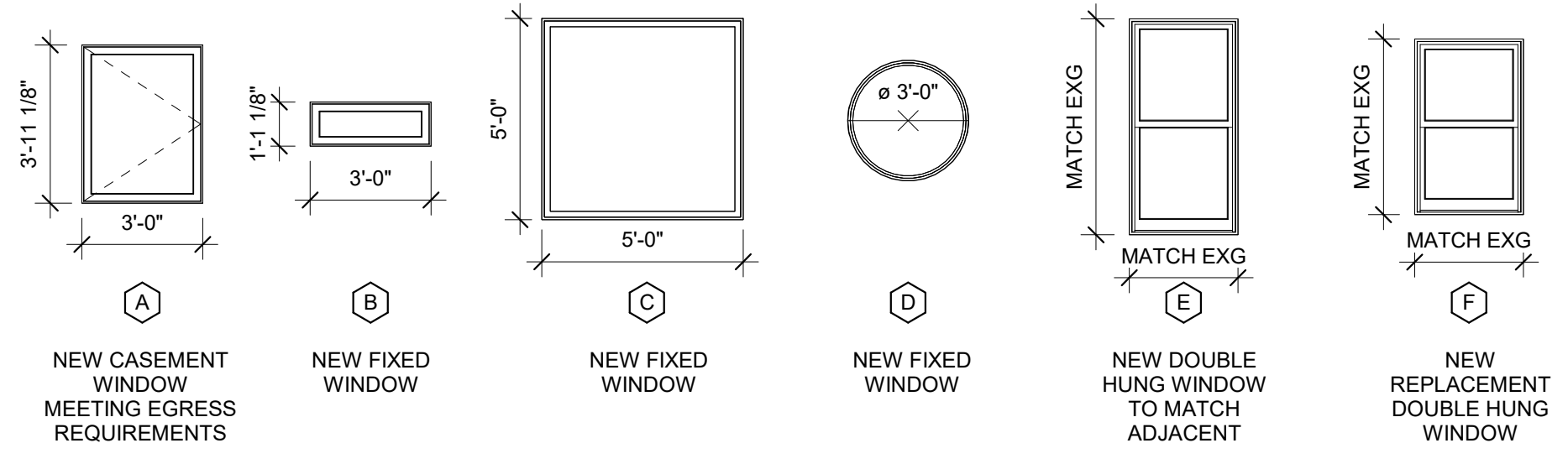
DOOR SCHEDULE

DOOR No.	LOCATION	SIZE			TYPE	DOOR LEAF		DOOR FRAME		THRESHOLD	LABEL	OPERATION	SWEEP	CLOSER	REMARKS
		WIDTH	HEIGHT	THICKNESS		MATERIAL	FINISH	MATERIAL	FINISH						
2ND FLOOR															
1	KITCHEN / DINING	11'-11"	7'-2"	1 3/4"	A			WOOD	PAINTED						4 PANEL FRENCH SLIDING DOOR
2	KITCHEN / DINING	2'-6"	6'-8"	1 3/8"	B	WOOD PANEL	PAINTED	WOOD	PAINTED						CLOSET DOOR
3RD FLOOR															
3	BONUS ROOM	2'-6"	6'-8"	1 1/2"	C	WOOD PANEL	PAINTED	WOOD	PAINTED						BARN DOOR. 2'-6" OPENING. 3'-0" SLAB.



2 | DOOR ELEVATIONS

1/4" = 1'-0"



1 | WINDOW ELEVATIONS

1/4" = 1'-0"