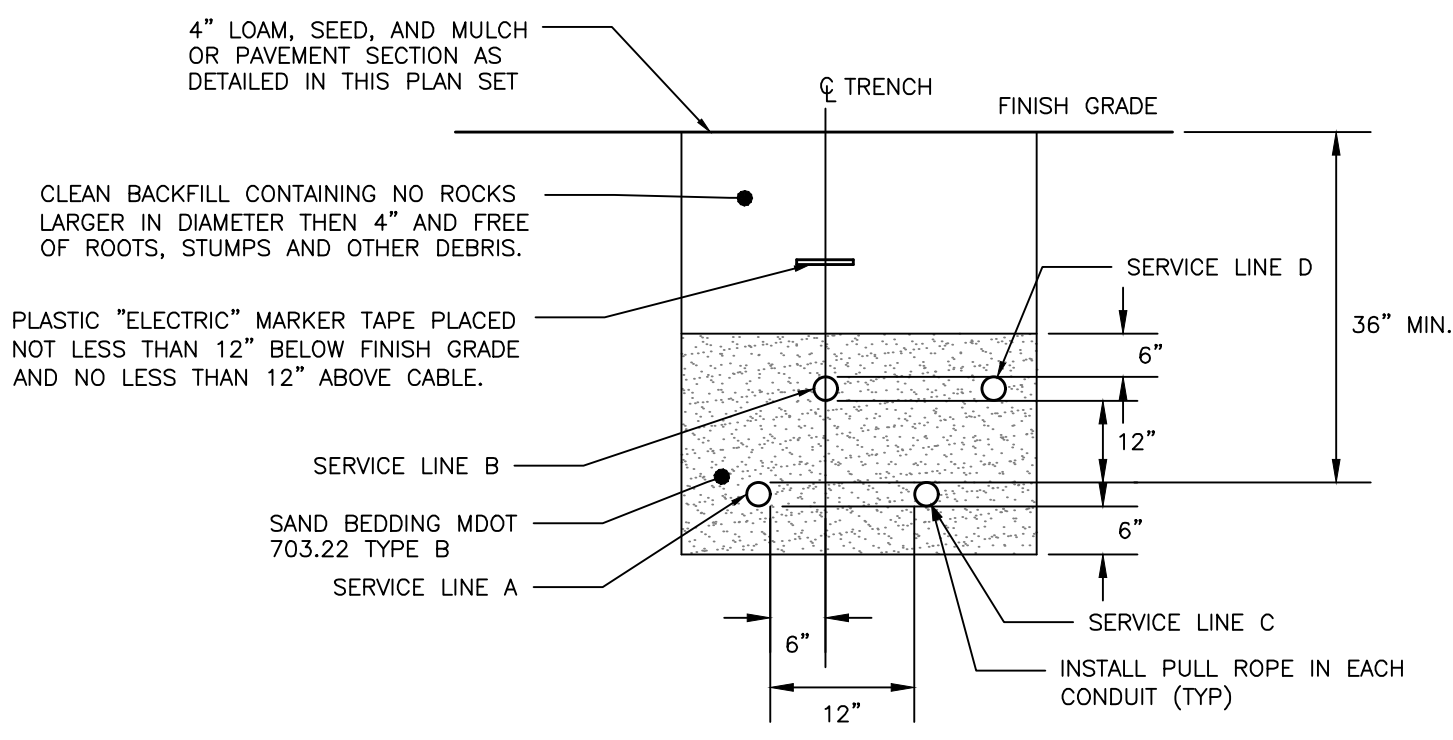


VALVE BOX & COVER
NOT TO SCALE

NOTES:
1. DIMENSIONS APPLICABLE FOR 5 1/4" BUFFALO VALVE BOXES
2. BASE SECTION MAY BE USED AS INTERMEDIATE SECTION

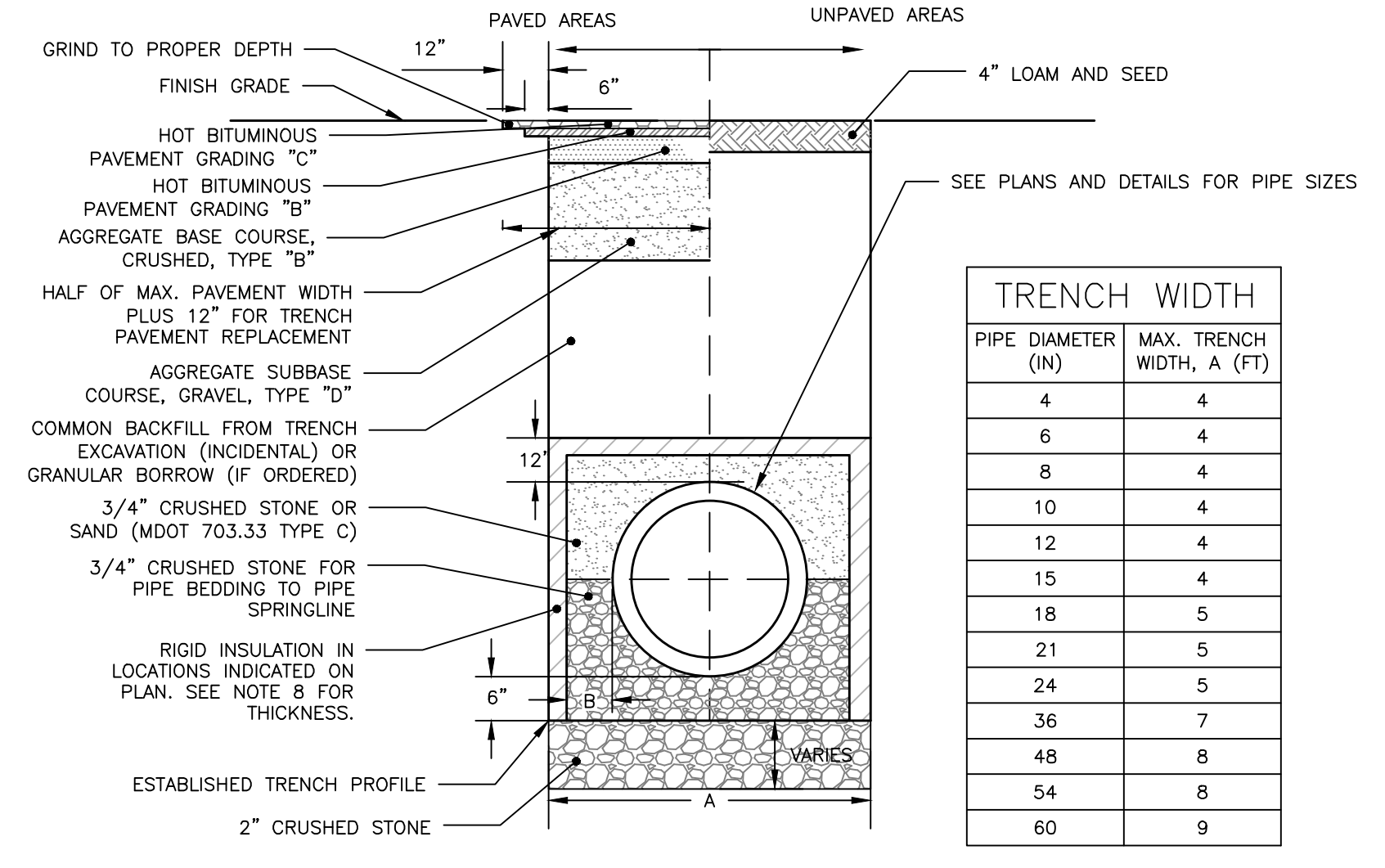


CONDUIT TYPE				
SERVICE	CONDUIT SIZE	GRASS AND PAVED AREAS	UTILITY	REMARKS
A	2-5"	SCHEDULE 40 PVC ELECTRICAL GRADE	PRIMARY POWER	SEE NOTE 1
B	2-4"	SCHEDULE 40 PVC	COMMUNICATION	-
C	2-4"	SCHEDULE 40 PVC ELECTRICAL GRADE	SPARE	IF REQUIRED
D	2-4"	SCHEDULE 40 PVC	CABLE	-

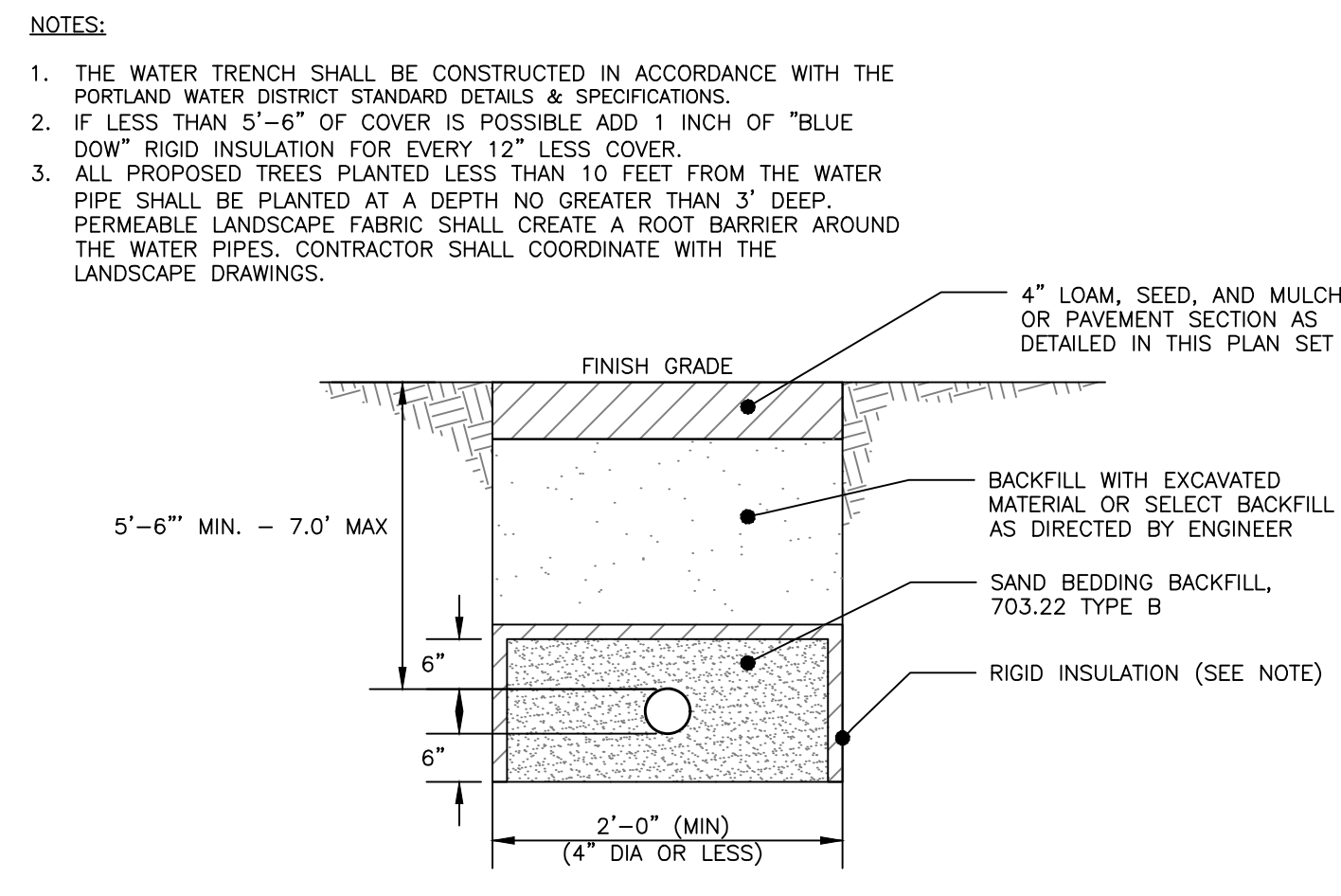
NOTES:
1. ONE CONDUIT CAPPED FOR SPARE, PROVIDE GALVANIZED STEEL LONG SWEEP AT RISER POLE AND EXTEND GALVANIZED CONDUIT TO 10" ABOVE GRADE AT POLE WITH STAND-OFF BRACKETS.
2. MINIMUM SEPARATION OF 24 INCHES BETWEEN PRIMARY CABLE/CONDUIT AND GAS LINES SHALL BE MAINTAINED.

UTILITY TRENCH:
PRIMARY AND SECONDARY POWER, TELEPHONE, AND CABLE
NOT TO SCALE

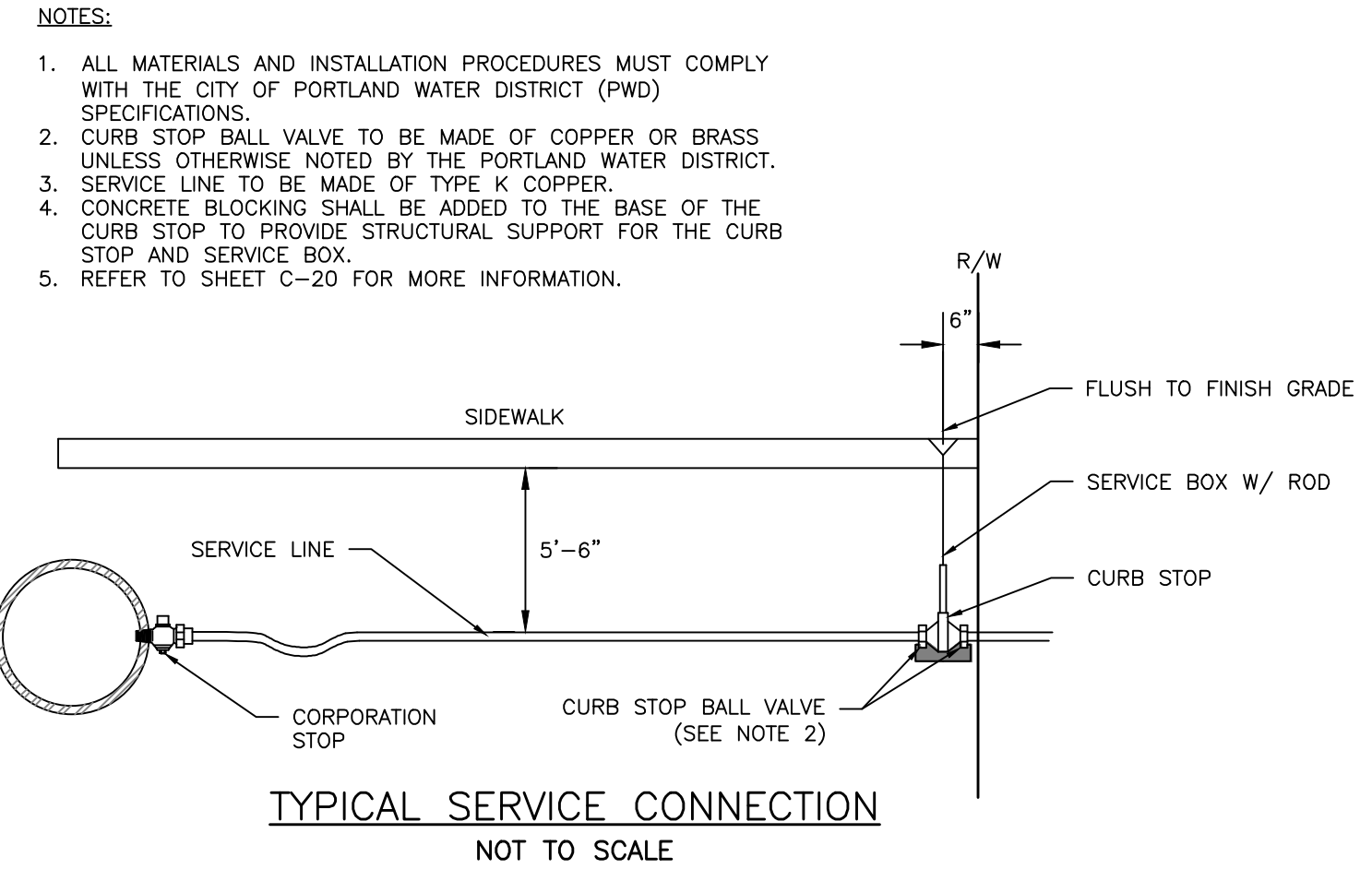
DESIGN NOTES:
1. ANY ALTERNATE TRENCHING METHODS SHALL BE APPROVED IN ADVANCE BY THE CITY.
2. ALL CONSTRUCTION METHODS SHALL CONFORM TO THE CITY OF PORTLAND TECHNICAL STANDARDS FIGURE II-2.
3. BRACING & SHEETING OR OTHER TRENCH PROTECTION TO BE PROVIDED TO MEET APPLICABLE STATE AND O.S.H.A SAFETY STANDARDS. ALL SUCH TRENCH PROTECTION SHALL BE THE RESPONSIBILITY OF THE CONTRACTOR.
4. WHERE APPLICABLE, PERFORATIONS IN STORM DRAIN (PERF. SD) SHALL BE ORIENTED UP.
5. ALL STORM DRAINS SHALL BE PVC SDR 35 MIN PS-46 RATING OR OR IN ACCORDANCE WITH CITY OF PORTLAND TECHNICAL MANUAL, SECTION 2 - SANITARY SEWER AND STORM DRAIN - PART 2.5.2
6. IN PAVED AREAS, DEPTHS OF GRAVEL AND HOT MIX ASPHALT PAVEMENT SHALL MATCH THE GREATER OF EXISTING CONDITIONS OR THE REQUIREMENTS FOR THE CORRESPONDING STREET CLASSIFICATION.
7. THIS DETAIL SHALL BE APPLIED ONLY TO PIPE TRENCHES WITHIN OF THE CITY OF PORTLAND R.O.W.
8. STORM DRAIN COVER BETWEEN 2' AND 3' SHALL INCLUDE 4" OF RIGID INSULATION, COVER BETWEEN 3' AND 4' SHALL INCLUDE 2" RIGID INSULATION. OTHER UTILITIES: ADD 2" OF RIGID INSULATION FOR EACH FOOT ABOVE MINIMUM DEPTH.
9. DEPTH OF BITUMINOUS PAVEMENT AND AGGREGATE COURSES SHALL BE DETERMINED BY STREET CLASSIFICATION.
10. DIMENSION B SHALL BE SUFFICIENT TO ALLOW CRUSHED STONE BEDDING TO BE PLACED AND COMPACTED UNDER THE HAUNCHES OF THE PIPE; BUT IN ALL CASES DIMENSION B SHALL BE AT LEAST 9".
11. DIMENSION A IS THE MAXIMUM WIDTH ALLOWED FOR CALCULATING PAY QUANTITIES UNDER GRANULAR BORROW, CRUSHED STONE, STRUCTURAL EARTH EXCAVATION, AND STRUCTURAL ROCK EXCAVATION. DIMENSION A SHALL BE BASED ON PIPE DIAMETER D, AS SET FORTH IN THE TABLE BELOW.



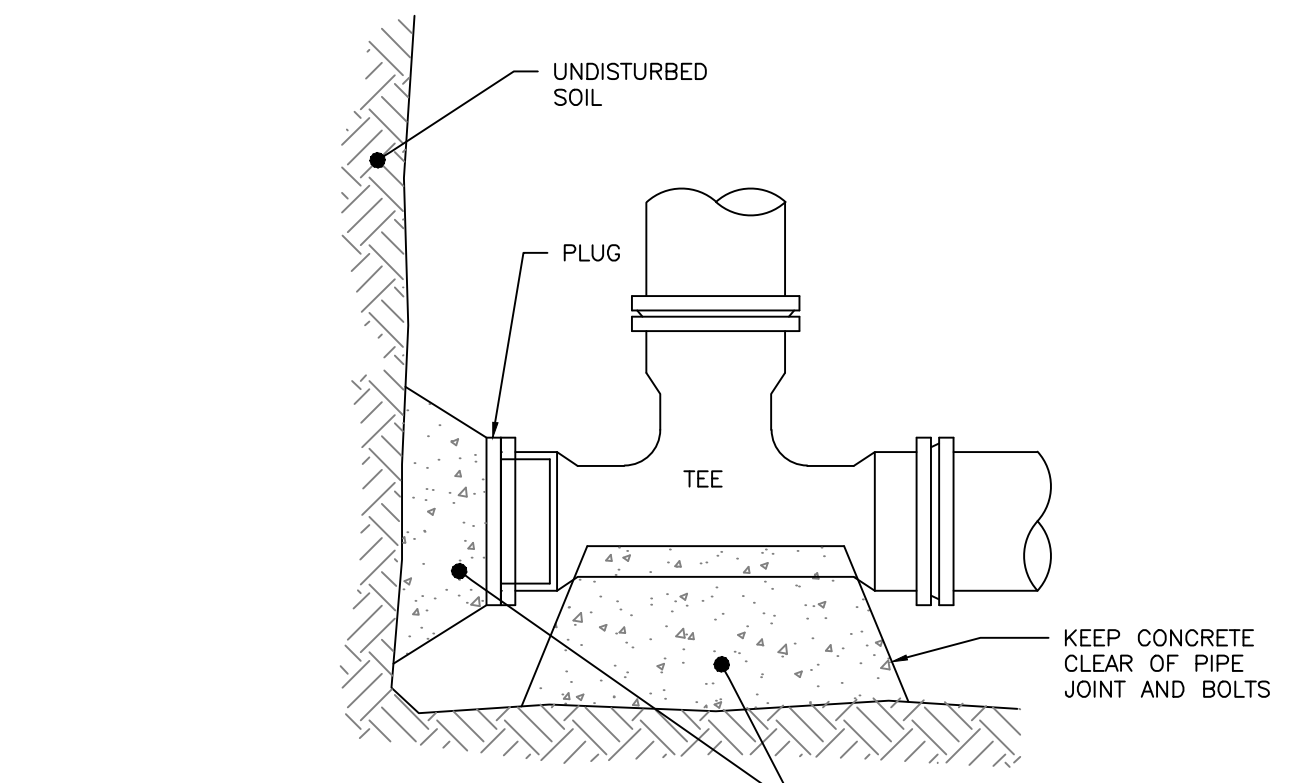
CITY OF PORTLAND TYPICAL PIPE TRENCH DETAIL WITHIN RIGHT-OF-WAY
NOT TO SCALE



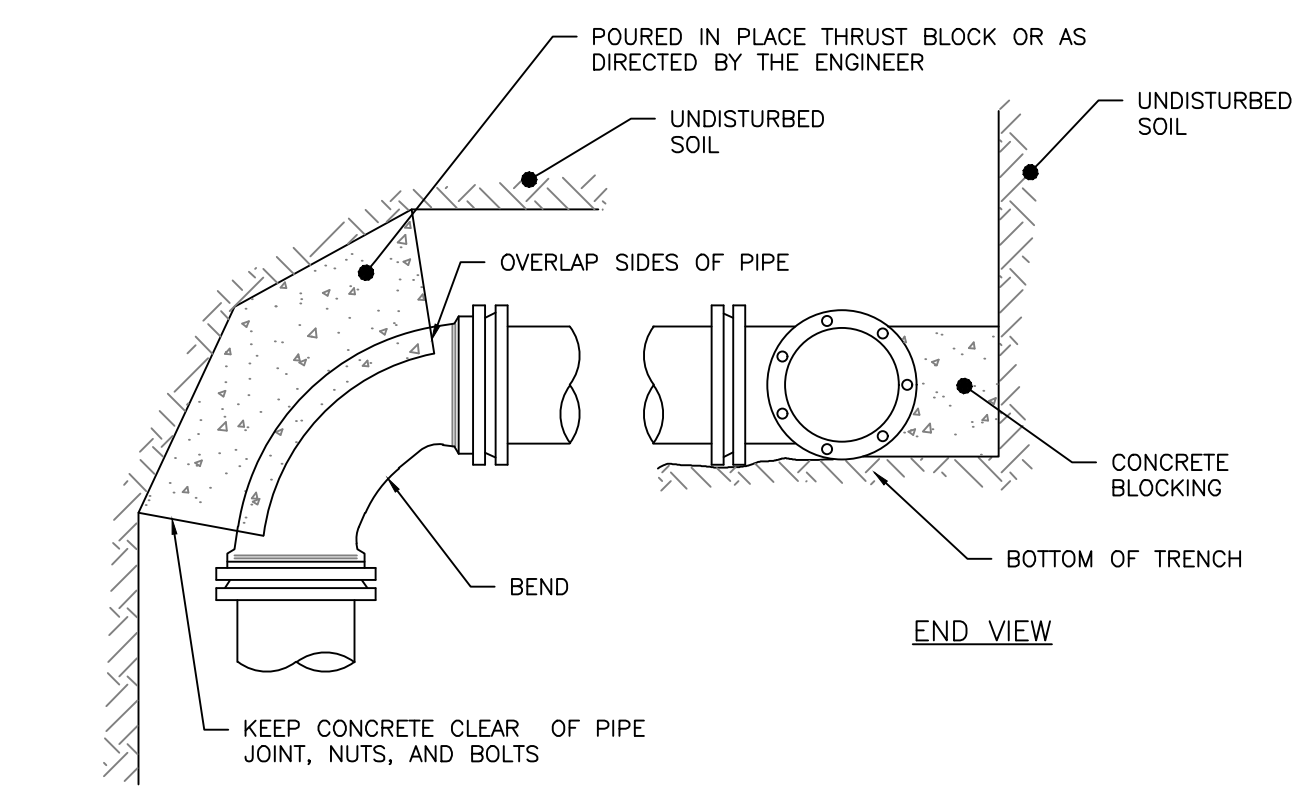
WATER SERVICE TRENCH SECTION DETAIL
NOT TO SCALE



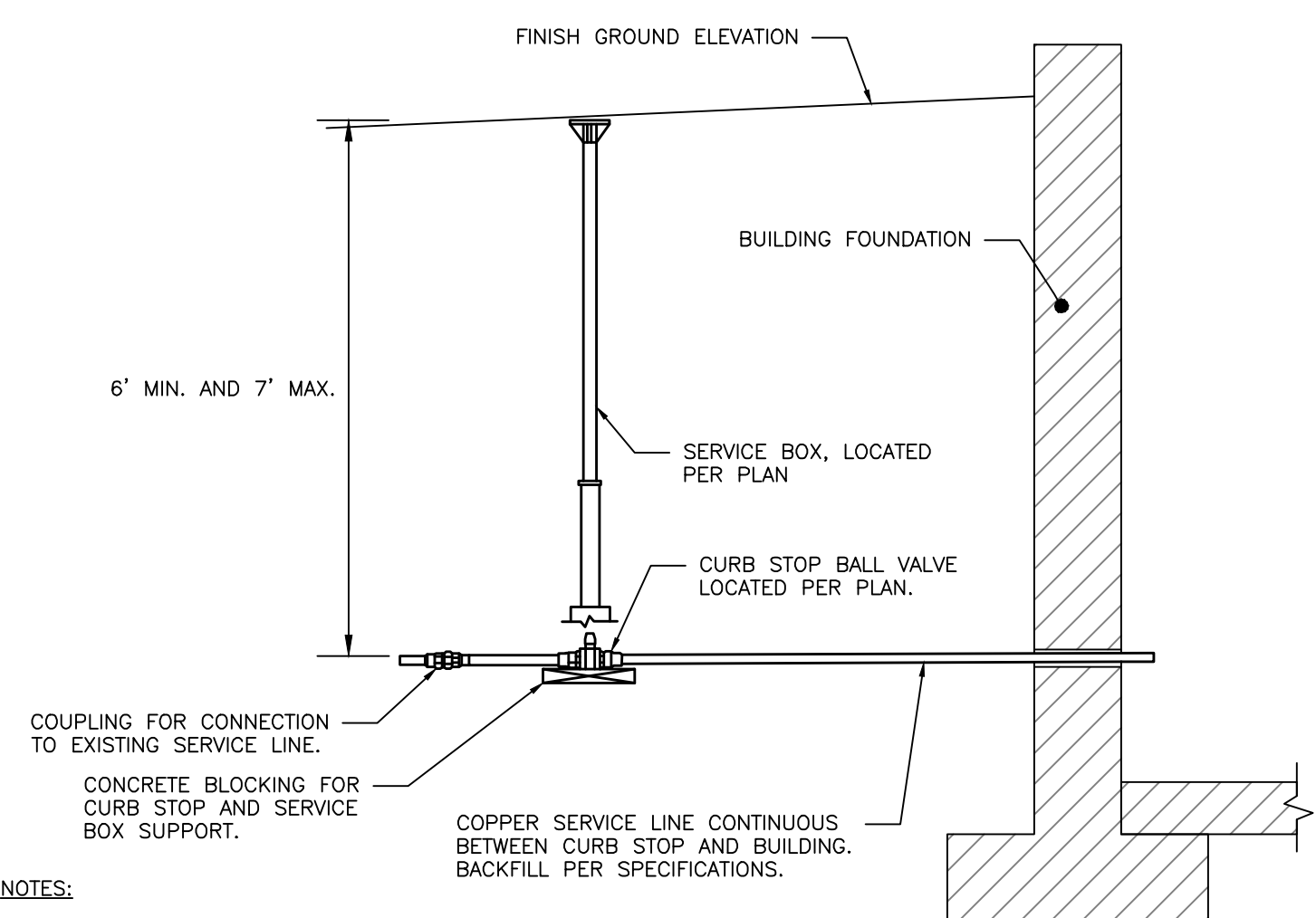
TYPICAL SERVICE CONNECTION
NOT TO SCALE



NOTES:
1. IF DEAD END WITH TEE, THRUST BLOCK WOULD BE REQUIRED OR AS DIRECTED BY THE ENGINEER
2. SEE THRUST/RETAINER GLAND SCHEDULE FOR TYPE OF BLOCKING TO BE USED ON BENDS

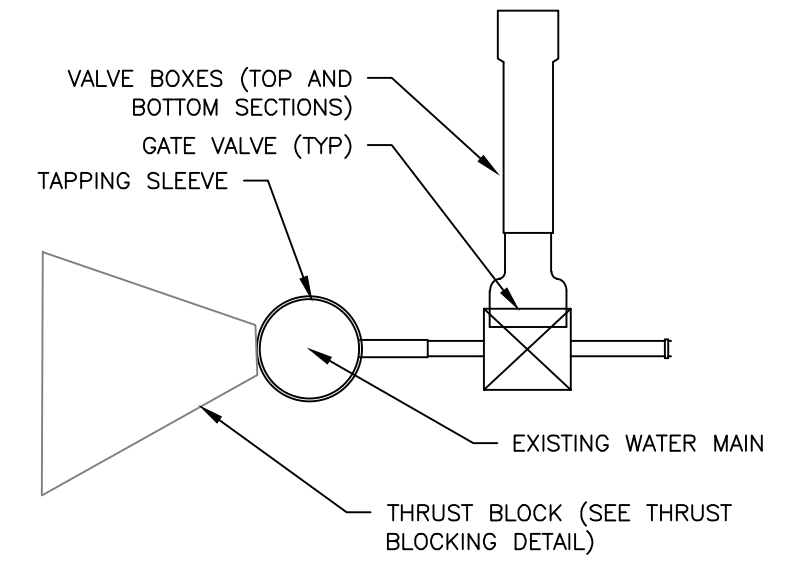


THRUST BLOCKING: REGULAR BEND
NOT TO SCALE

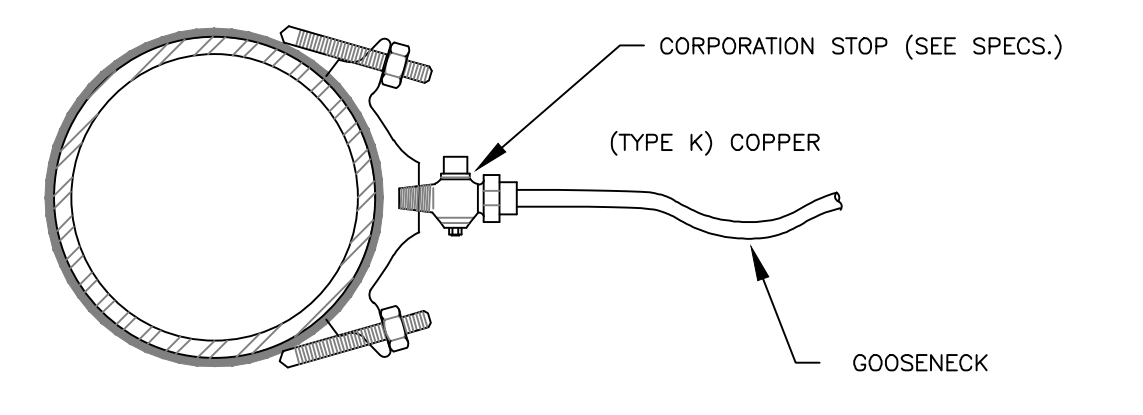


NOTES:
1. ALL MATERIALS AND INSTALLATION PROCEDURES MUST CONFORM TO MONMOUTH WATER ASSOCIATION (M.W.A.) SPECIFICATIONS, SEE SPECIFICATIONS BOOK FOR DETAILS.
2. M.W.A. REQUIRES THE USE OF COPPER FOR THE CUSTOMERS SIDE OF SERVICE.
3. CUSTOMERS PORTION OF SERVICE LINE IS THAT PORTION FROM THE PROPERTY LINE INTO THE BUILDING, IN THIS INSTANCE THE CUSTOMER IS ALSO RESPONSIBLE FOR THE INSTALLATION OF THE CURB STOP BALL VALVE.
4. FOR THE INTERIOR BUILDING PLUMBING REFER TO THE PLUMBING PLAN BY MECHANICAL SYSTEMS ENGINEERS.

SERVICE INSTALLATION DETAIL
NOT TO SCALE



TAPPING SLEEVE AND VALVE
NOT TO SCALE



SERVICE SADDLE: 1-1/2" AND 2" C.C. THREAD
NOT TO SCALE

PERMIT LEVEL
NOT ISSUED FOR
CONSTRUCTION

ISSUED FOR	BY
CITY APP.	WHS
	12/2/17
UTILITY DETAILS - 1	
PROJECT NAME: 24 ST. LAWRENCE STREET REDEVELOPMENT	
CLIENT: HR PROPERTY MANAGEMENT	
24 ST. LAWRENCE STREET, PORTLAND, ME 04101	
DRAWING NO. C-42	

ACORN ENGINEERING, INC. ENGINEERING, INC.

158 BANGOR ST. PORTLAND, MAINE 04102
(207) 775-2655

FILE: 1088_CIVIL
JN: 1088
SCALE: NTS
DESIGNED BY: WHS
DRAWN BY: ADG
CHECKED BY: WHS