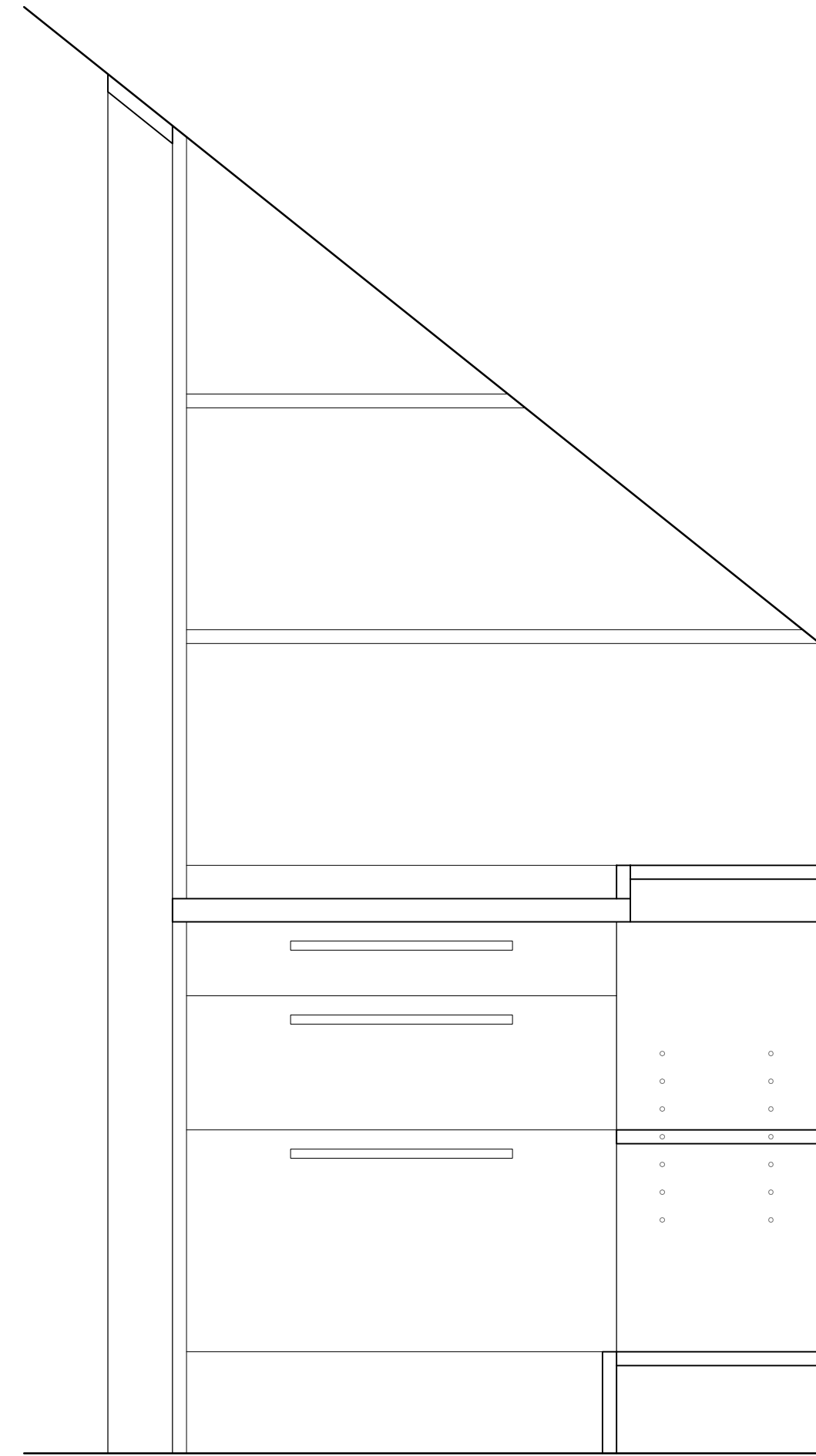


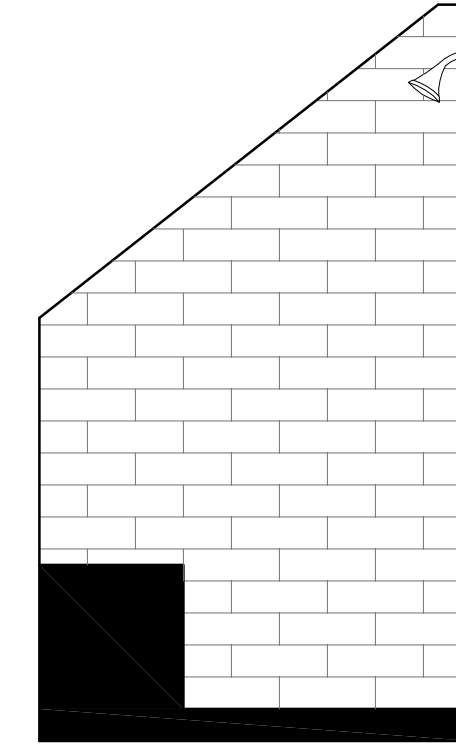
8 OFFICE DESK SECTION
SCALE 1/2"=1'-0"



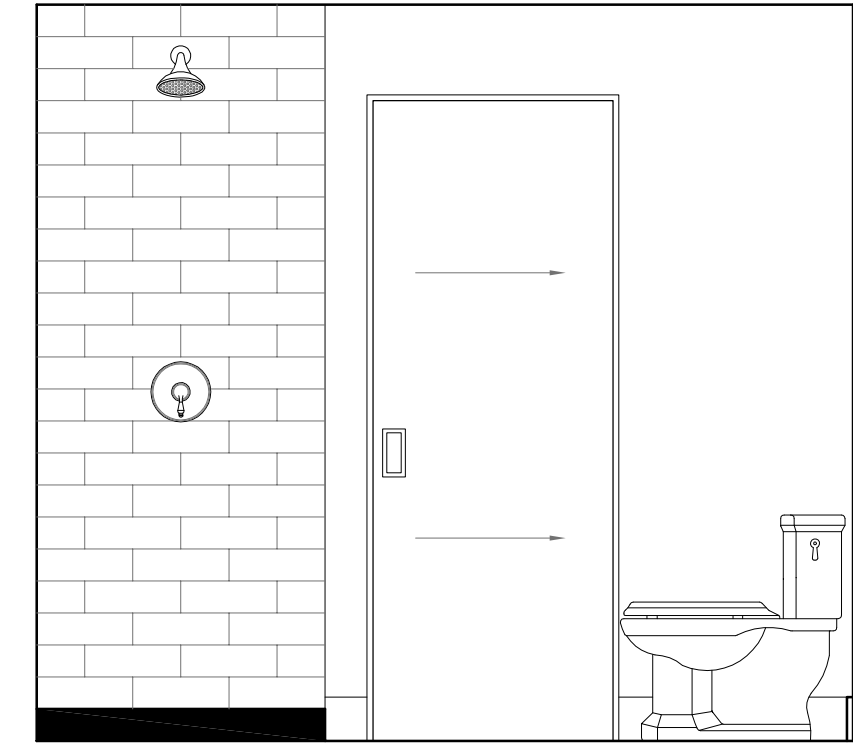
7 OFFICE DESK SECTION
SCALE 1/2"=1'-0"



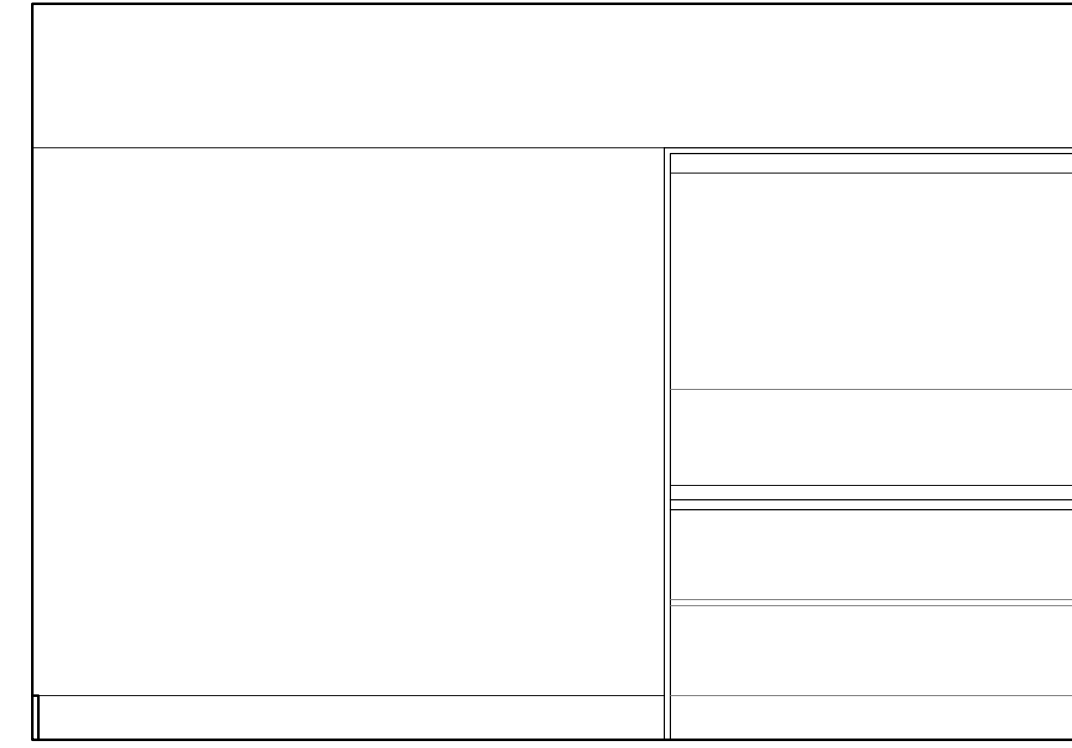
11 OFFICE SHOWER RM ELEVATION
SCALE 1/2"=1'-0"



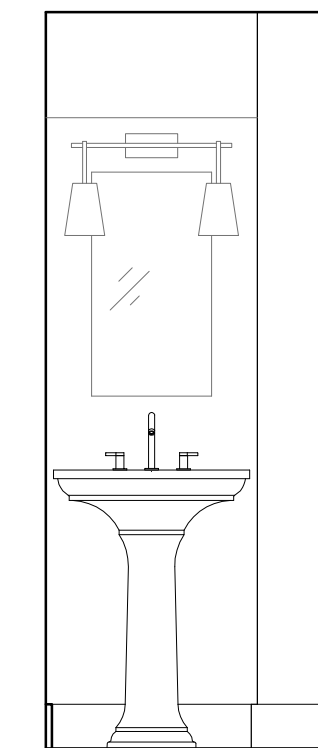
10 OFFICE SHOWER RM ELEVATION
SCALE 1/2"=1'-0"



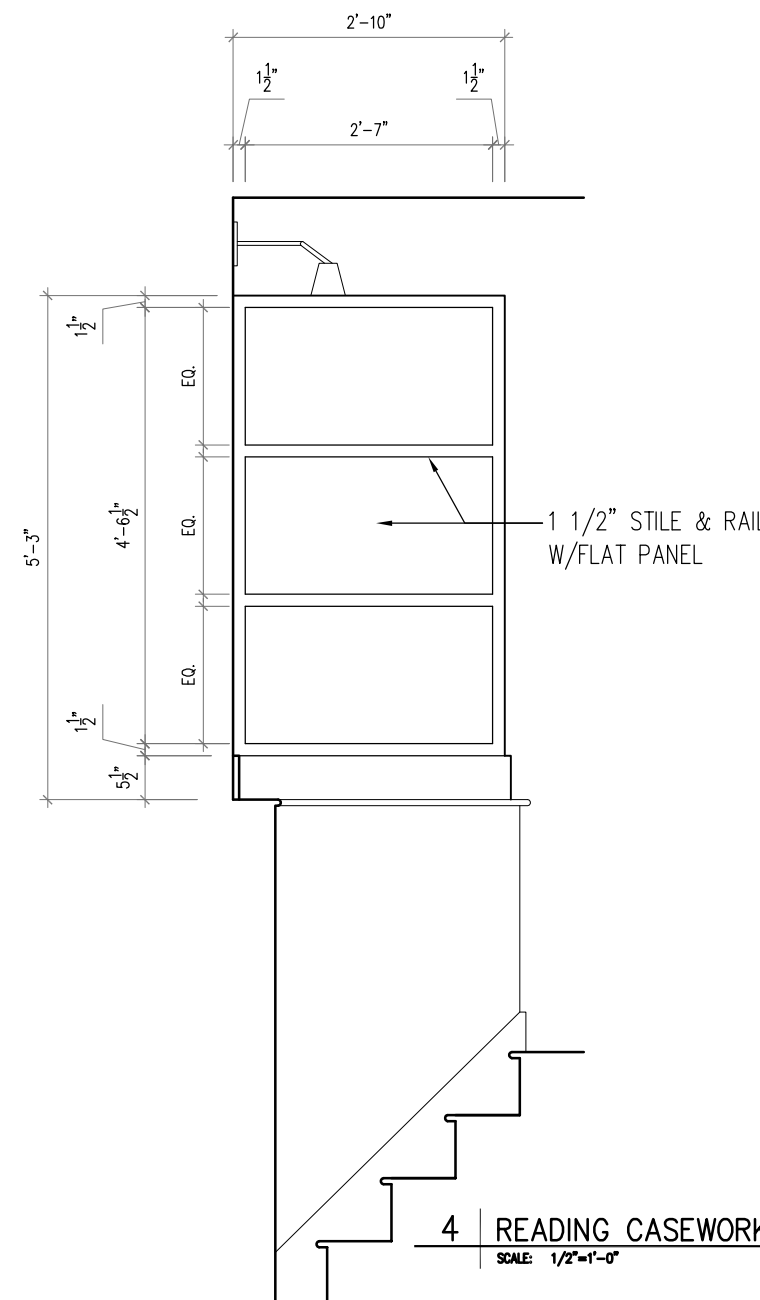
9 OFFICE SHOWER RM ELEVATION
SCALE 1/2"=1'-0"



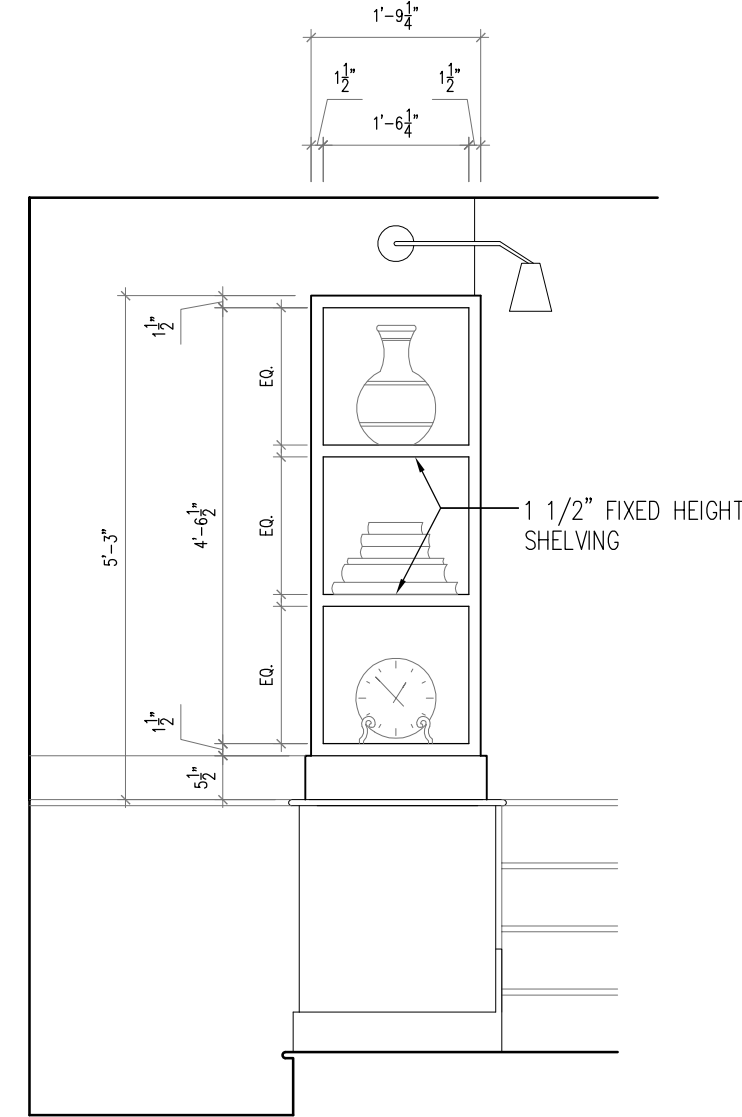
6 OFFICE DESK ELEVATION
SCALE 1/2"=1'-0"



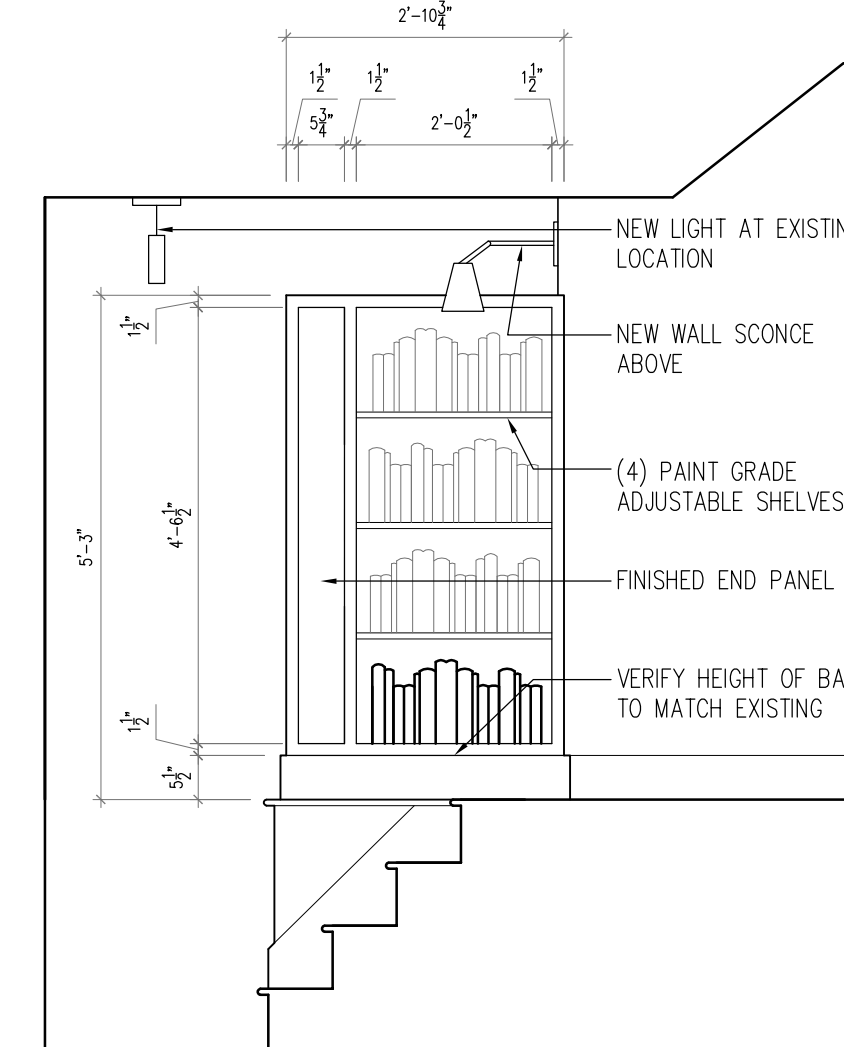
5 OFFICE SINK ELEVATION
SCALE 1/2"=1'-0"



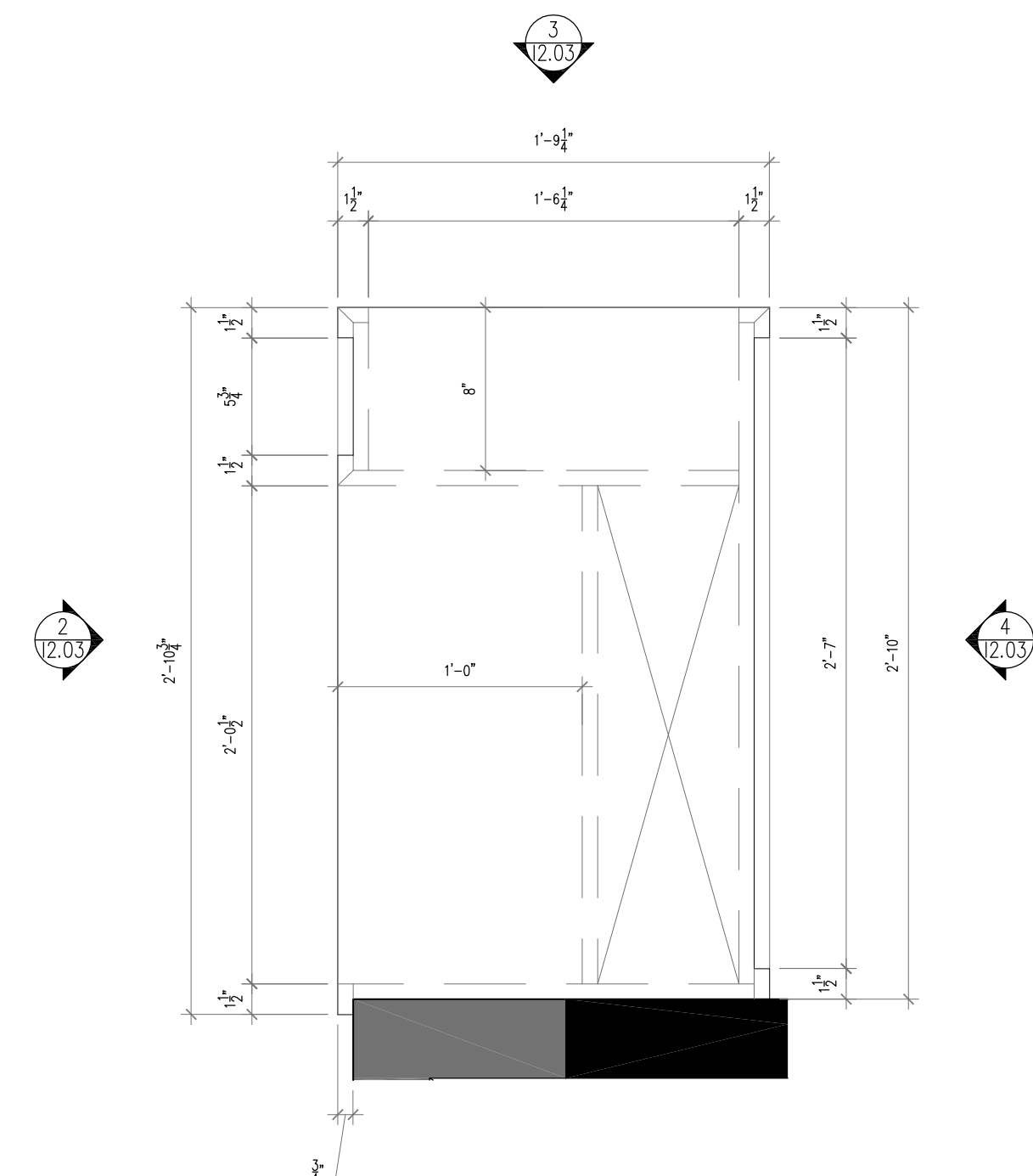
4 READING CASEWORK ELEVATION
SCALE 1/2"=1'-0"



3 READING CASEWORK ELEVATION
SCALE 1/2"=1'-0"



2 READING CASEWORK ELEVATION
SCALE 1/2"=1'-0"



1 ENLRGD READING CASEWORK PLAN
SCALE 1/2"=1'-0"

NOT FOR CONSTRUCTION

Revisions and Notes:

Date: March 11, 2016
Scale: AS SHOWN
Designed By: TAD
Drawn By: TLD

Set: PRICING SET

Drawing:
PROPOSED
INTERIOR ELEVATIONS
& DETAILS

12.03

Client:

WOOD RESIDENCE
74 St. Lawrence Street
Portland, Maine 04101

Architect:

Interior Architectural Services:

TRACY DAVIS
urban dwellings™
INTERIORS • DESIGN • OBJECTS
PORTLAND, ME • NEW YORK, NY • WASHINGTON, DC