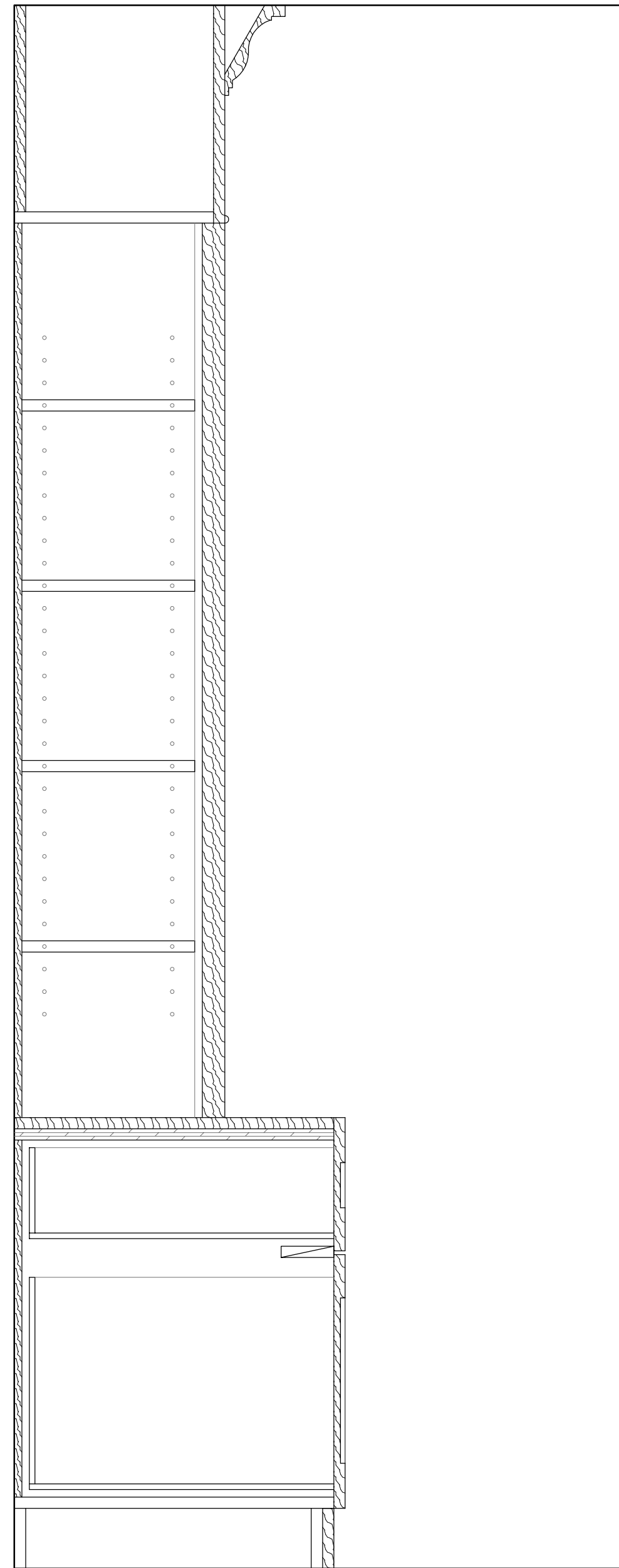
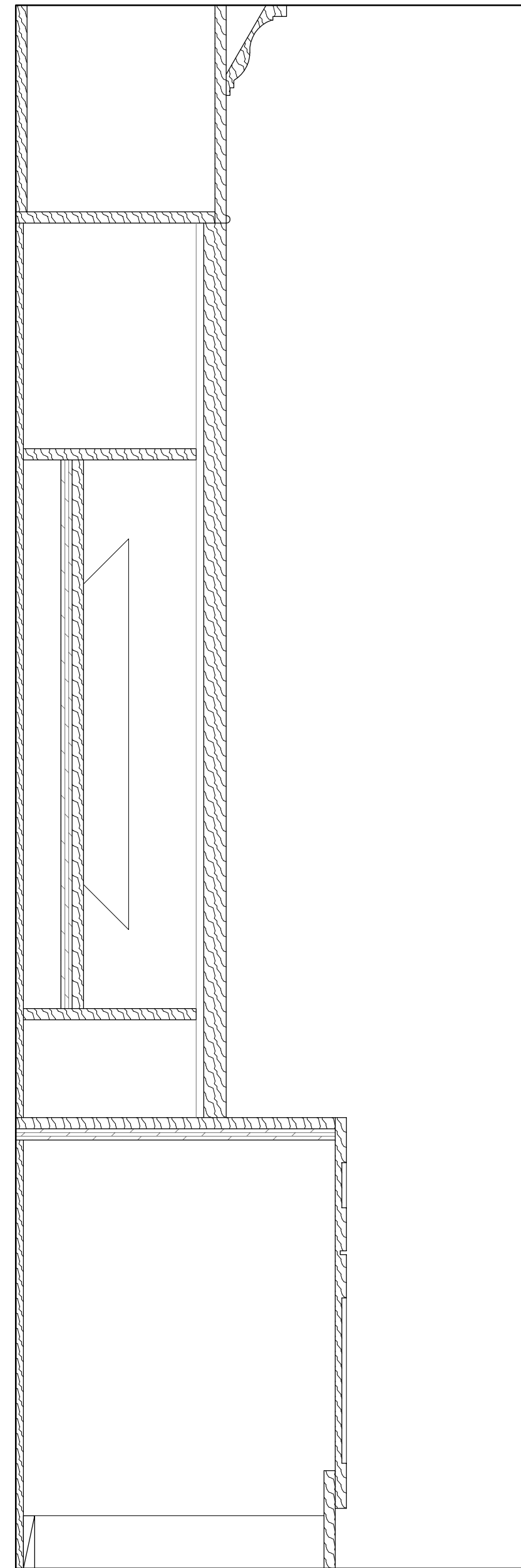


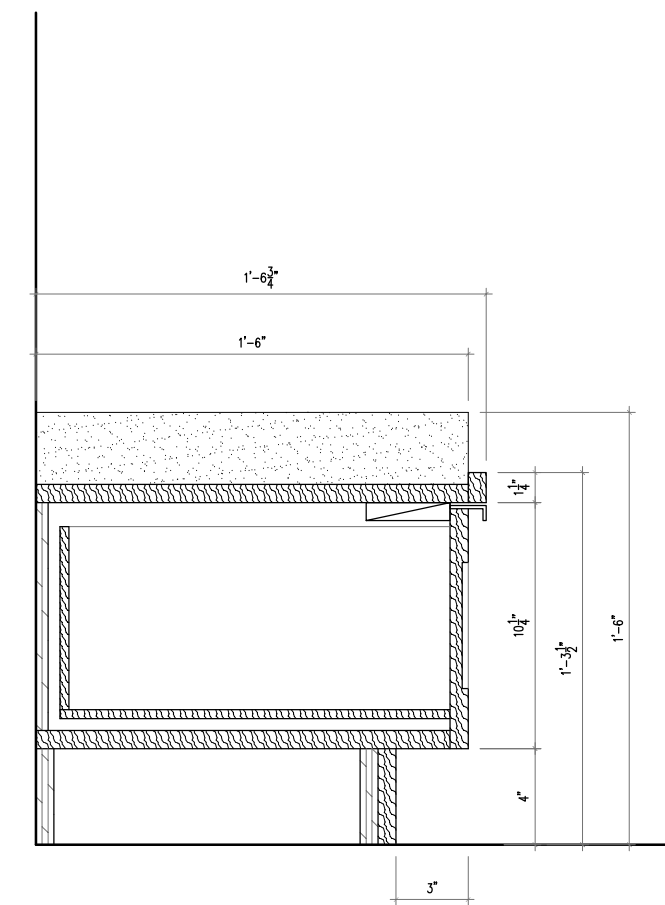
Red boxes indicate current scope of work



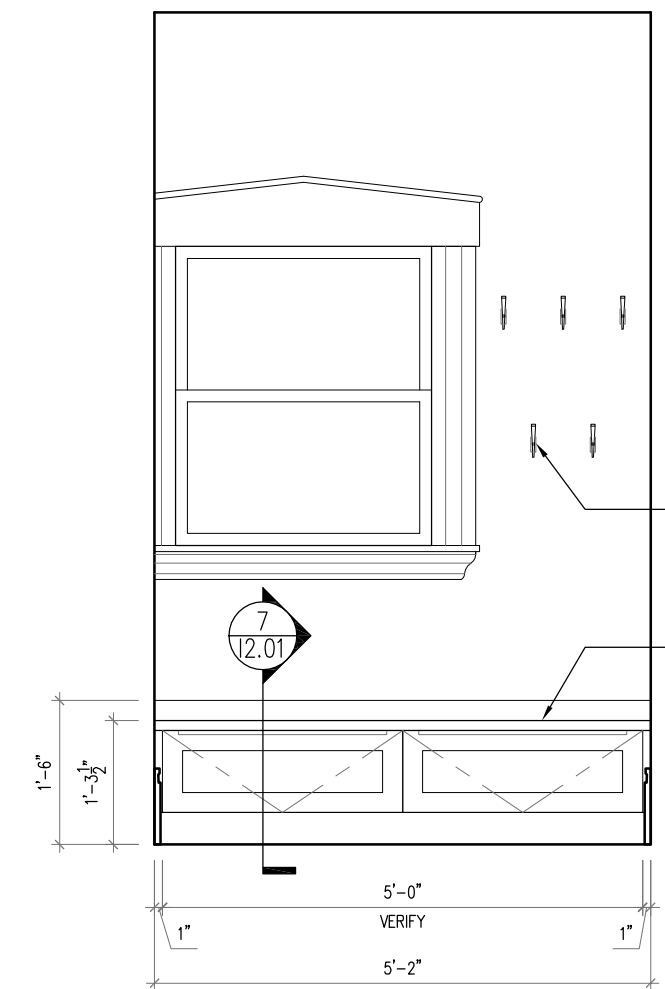
4 | MEDIA CASEWORK SECTION  
SCALE: 1/2"=1'-0"



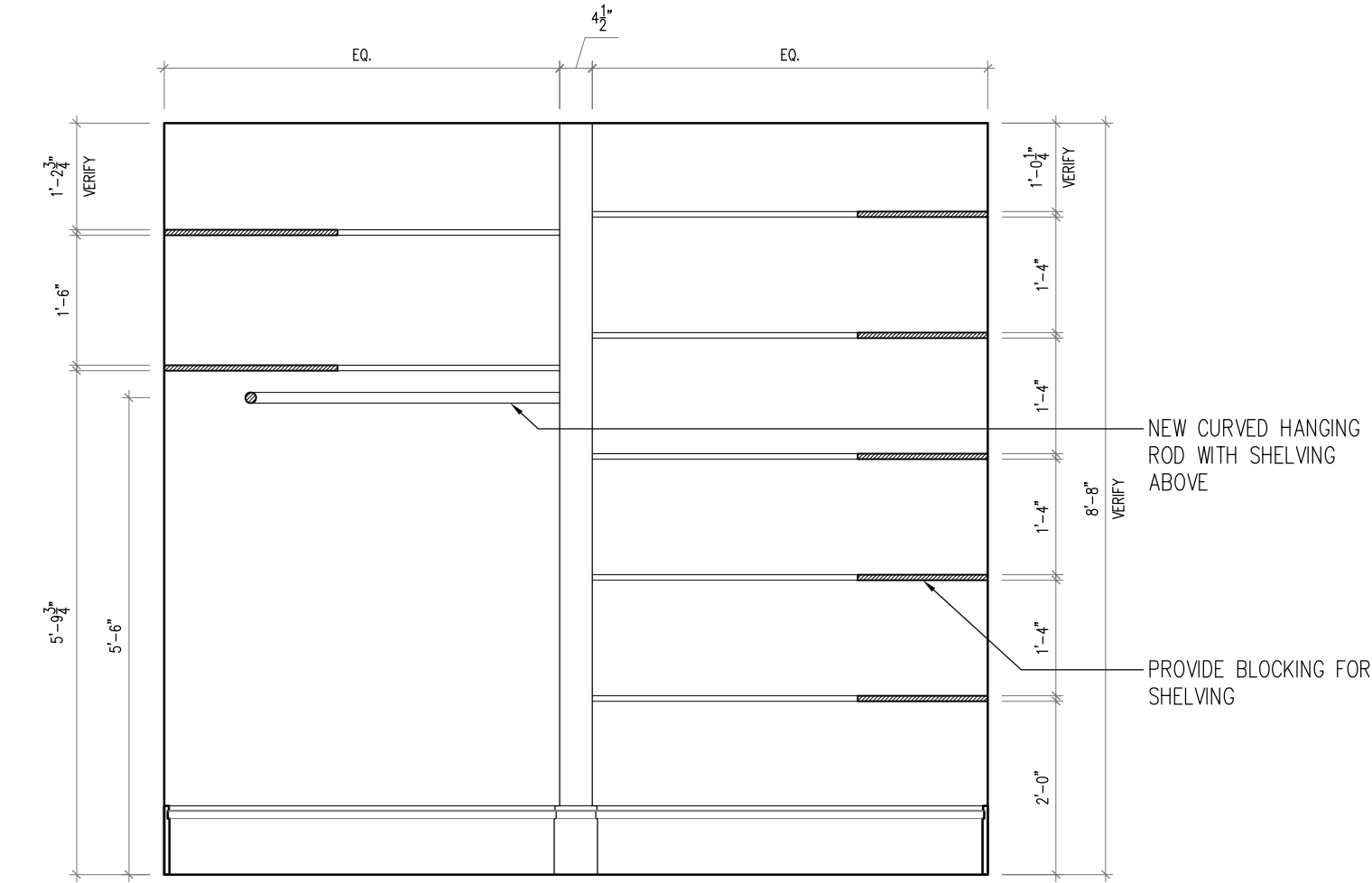
3 | MEDIA CASEWORK SECTION  
SCALE: 1/2"=1'-0"



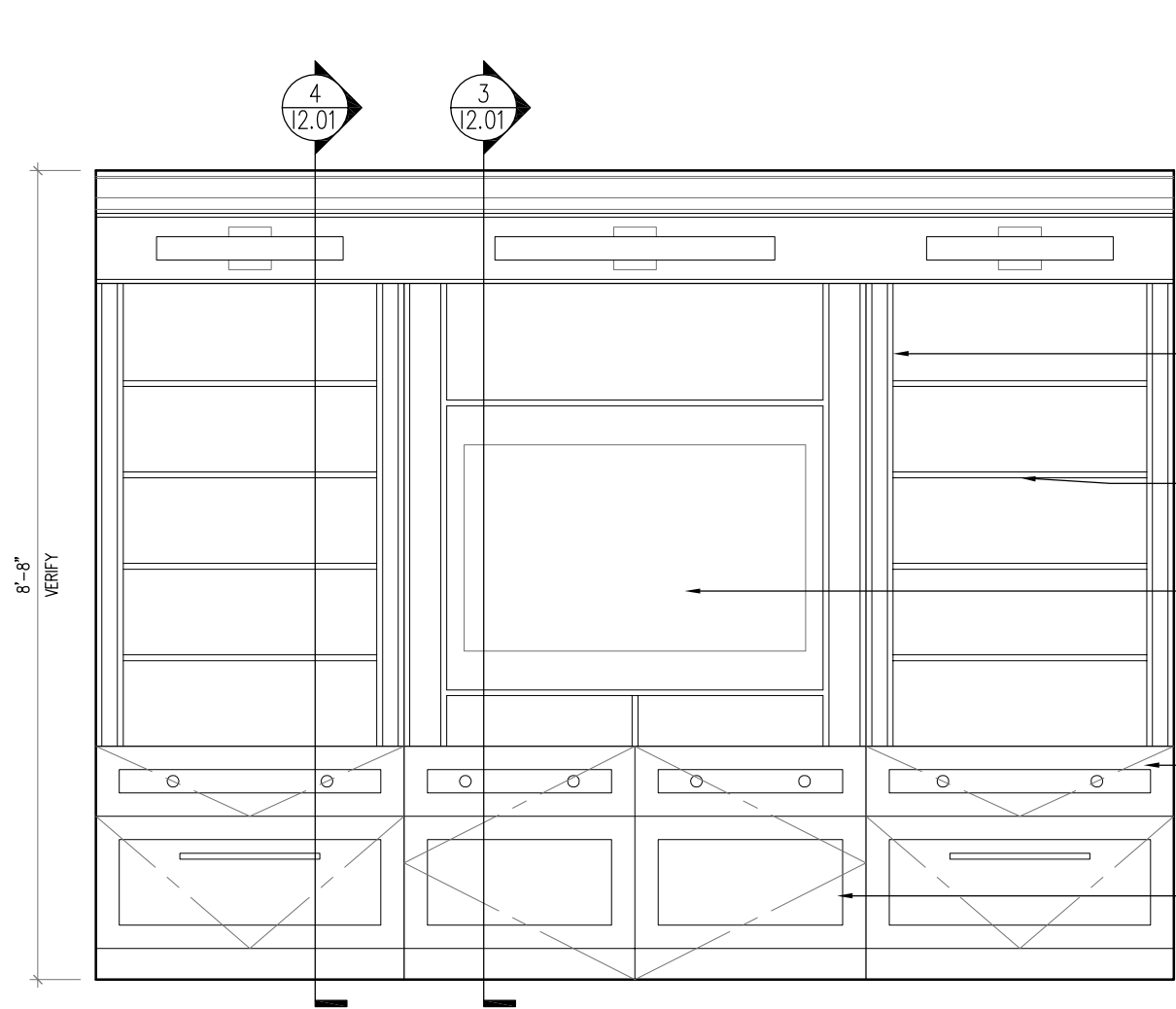
7 | BENCH SECTION  
SCALE: 1/2"=1'-0"



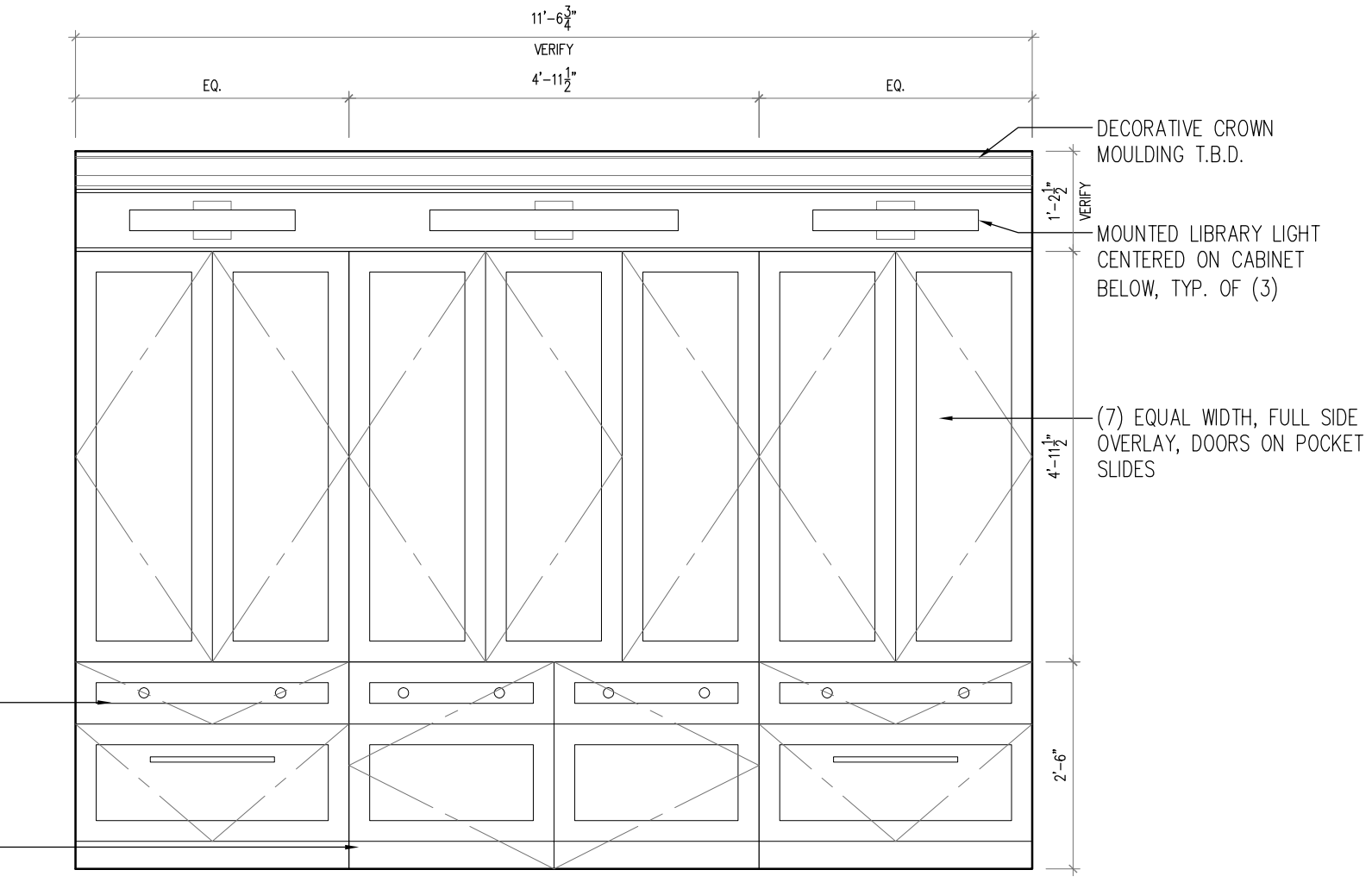
6 | MUDROOM BENCH ELEVATION  
SCALE: 1/2"=1'-0"



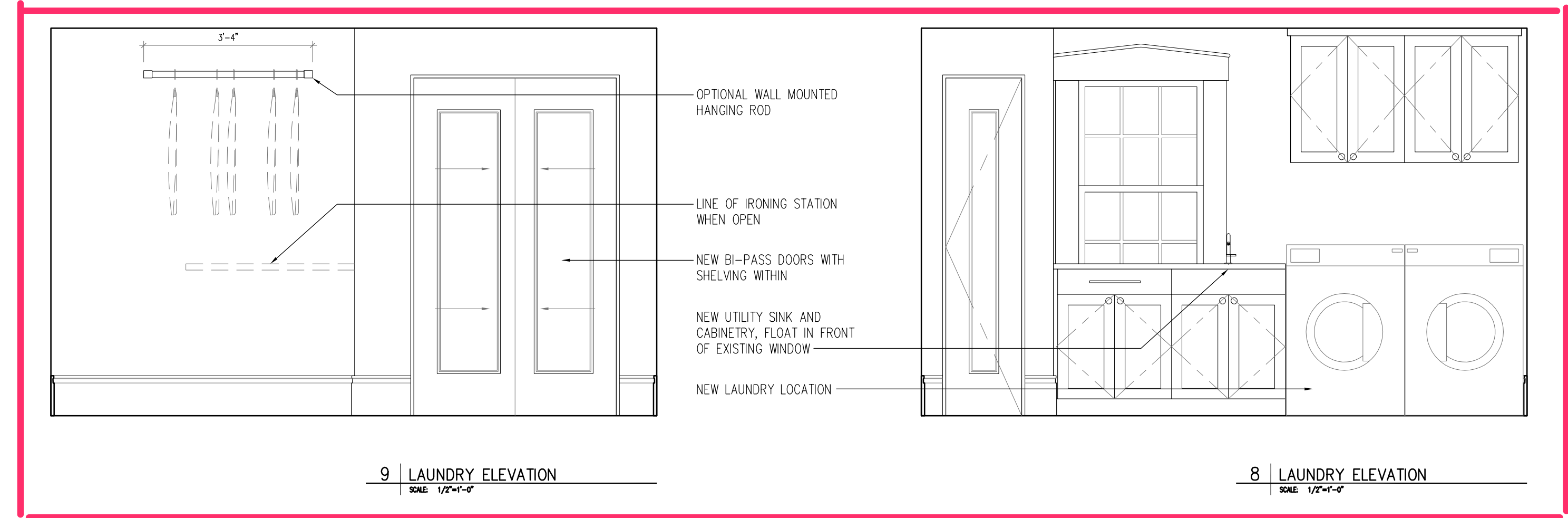
5 | PANTRY ELEVATION  
SCALE: 1/2"=1'-0"



2 | MEDIA CASEWORK - TOP OPEN  
SCALE: 1/2"=1'-0"



1 | MEDIA CASEWORK - CLOSED  
SCALE: 1/2"=1'-0"



9 | LAUNDRY ELEVATION  
SCALE: 1/2"=1'-0"

8 | LAUNDRY ELEVATION  
SCALE: 1/2"=1'-0"

NOT FOR CONSTRUCTION

Revisions and Notes:  
Date: March 11, 2016  
Scale: AS SHOWN  
Designed By: TAD  
Drawn By: TLD  
Set:

PRICING SET

Drawing:  
PROPOSED  
INTERIOR ELEVATIONS  
& DETAILS

12.01

Architect:

Client:

Interior Architectural Services:

**WOOD RESIDENCE**  
74 St. Lawrence Street  
Portland, Maine 04101

TRACY DAVIS  
**urban dwellings™**  
INTERIORS • DESIGN • OBJECTS  
PORTLAND, ME • NEW YORK, NY • WASHINGTON, DC