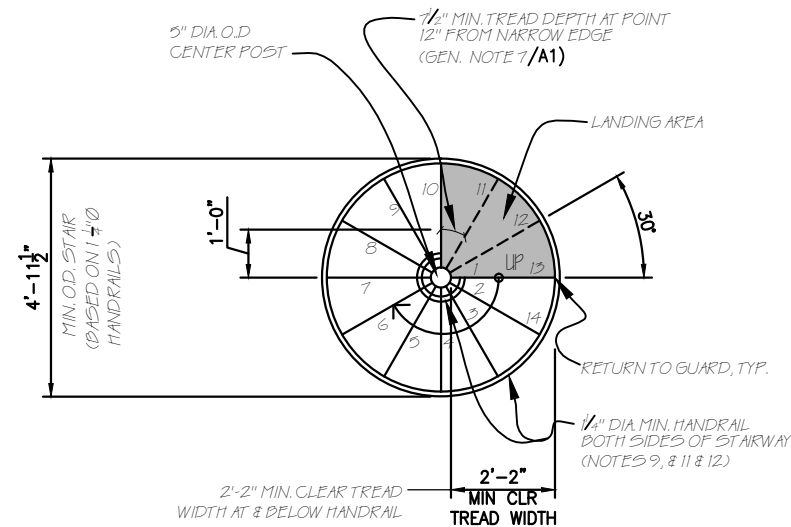


UPPER LEVEL SPIRAL STAIR PLAN
SCALE: 1/2" = 1'-0"
SEE GENERAL NOTES ON DRAWING A1

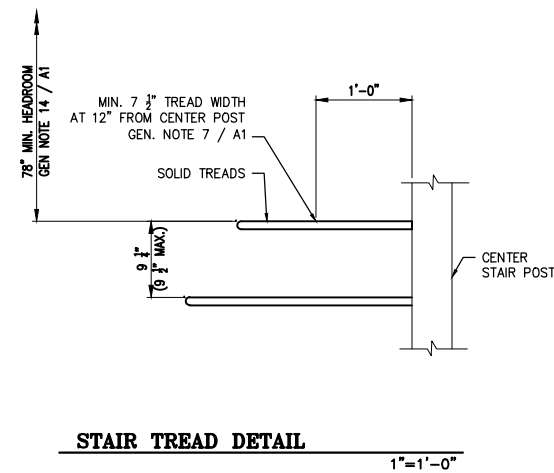


LOWER LEVEL SPIRAL STAIR PLAN
SCALE: 1/2" = 1'-0"
SEE GENERAL NOTES ON DRAWING A1

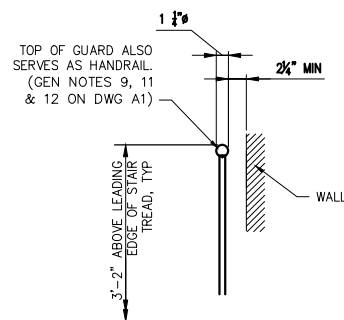
SPIRAL STAIR ACCESS TO ROOF DECK

14 RISERS AT 9 1/4" = 10'-9 1/2"

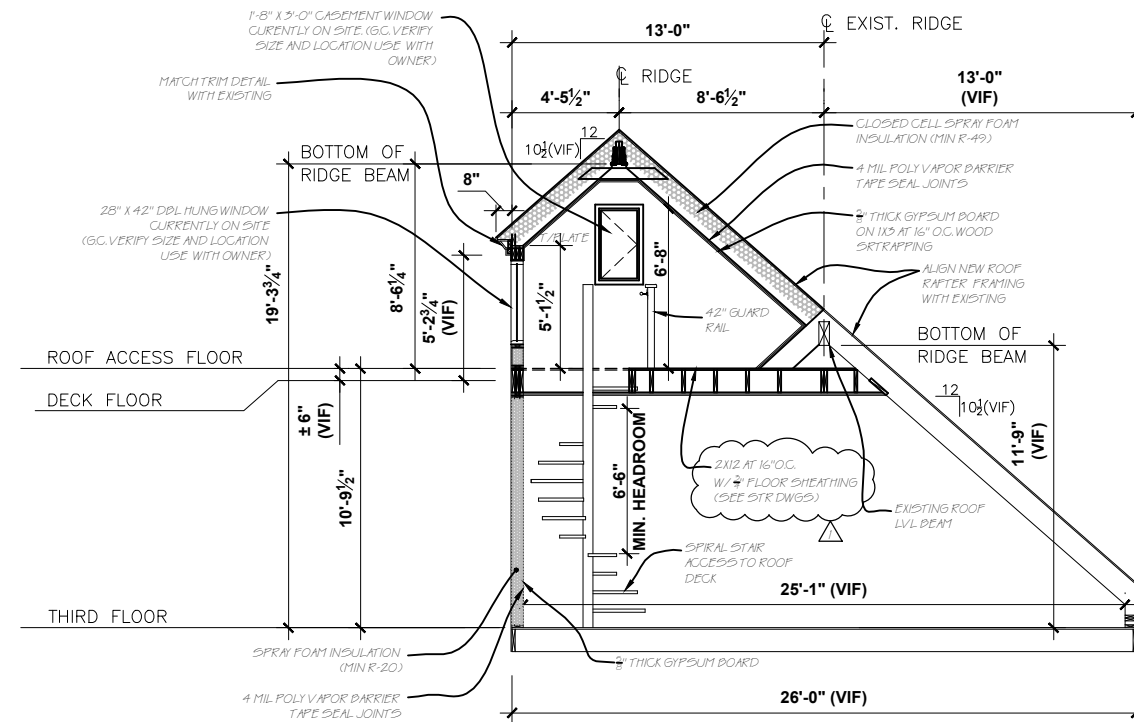
13 TREADS (MIN. 2'-2" TREAD WIDTH AT 8" BELOW THE HANDRAIL (MIN. 7 1/4" TREAD WIDTH REQUIRED AT 12" FROM CENTER POST (SEE PLAN AND GENERAL NOTE 7 ON DRAWING A1)



STAIR TREAD DETAIL
1" = 1'-0"

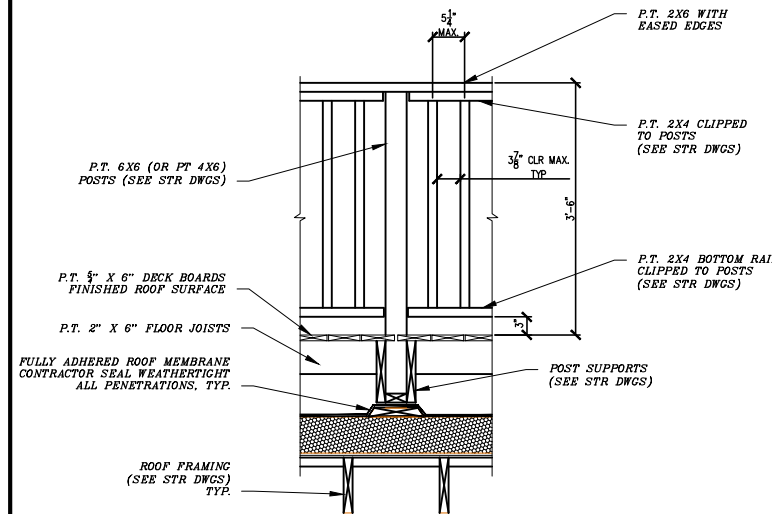


GUARD/HAND RAIL DETAIL
NOTES:
SEE GENERAL NOTE 9 ON DRAWING A1
1" = 1'-0"

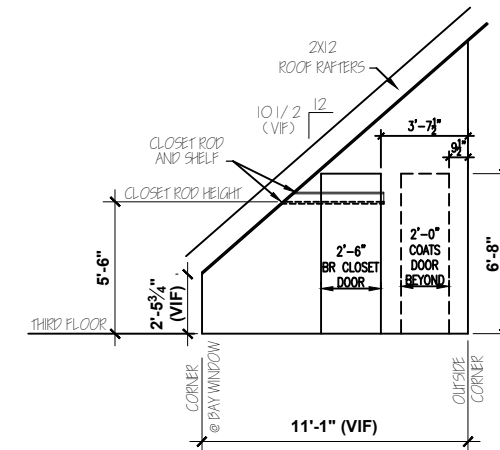


SECTION 1
1/4" = 1'-0"

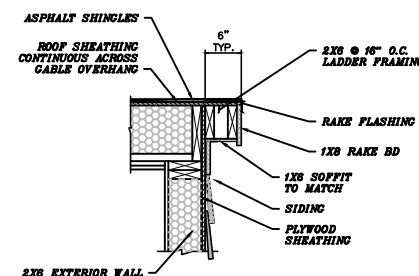
NOTE:
SEE STRUCTURAL DRAWINGS FOR ACCESS FLOOR AND ROOF FRAMING DETAILS



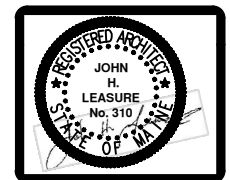
ROOF DECK GUARD RAIL DETAIL
NOTE:
SEE STRUCTURAL DRAWINGS FOR DECK FRAMING DETAILS
1 1/2" = 1'-0"



SCHEMATIC INTERIOR ELEVATION 2
NOTE:
VERIFY HEIGHTS ABOVE DOORS FOR ROUGH OPENING FRAMING
1 1/2" = 1'-0"



ROOF ACCESS STRUCTURE GABLE OVERHANG DETAIL
1 1/2" = 1'-0"



REV.	DATE	STATUS
1	8-01-14	ISSUED FOR CONSTRUCTION
2	8-11-14	NOTE ON SECTION 1

JOHN H. LEASURE ARCHITECT, INC.
6 Q. STREET
SOUTH PORTLAND, MAINE 04106



RENOVATIONS AND ADDITIONS
52 MONUMENT STREET
PORTLAND, MAINE
SPIRAL STAIR AND DETAILS

A4