



PENSOTTI

A GRANBY COMPANY

Instruction Manual

PCI 18/8

***Condensing Combination
Space heating / Water heater
61,419 BTU/h INPUT***



WARNING

If the information in these instructions is not followed exactly, a fire or explosion may result, causing property damage, personal injury or death.

- Do not store or use gasoline or other flammable vapors or liquids in the vicinity of this or any other appliance.
- WHAT TO DO IF YOU SMELL GAS
 - Do not try to light any appliance
 - Do not touch any electrical switch; do not use any phone in your building
 - Immediately call your gas supplier from a neighbor's phone. Follow the gas supplier's instructions.
 - If you cannot reach your gas supplier, call the fire department
- Installation and service be performed by a qualified installer, service agency or the gas supplier.
- Use of a properly calibrated electronic combustion analyzer **MUST** be used to install and/or service this appliance.

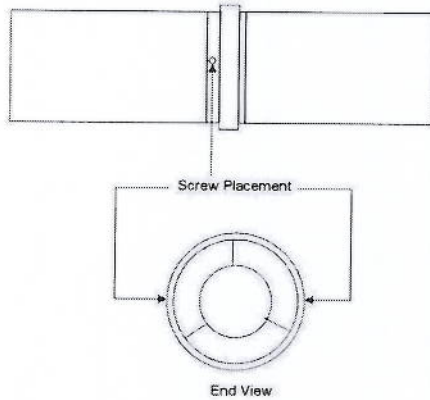
Approved in accordance with:
ANSI Z21.10 / CSA 4.3 - 2011



Pensotti Solenne Series Fastening of Venting Components

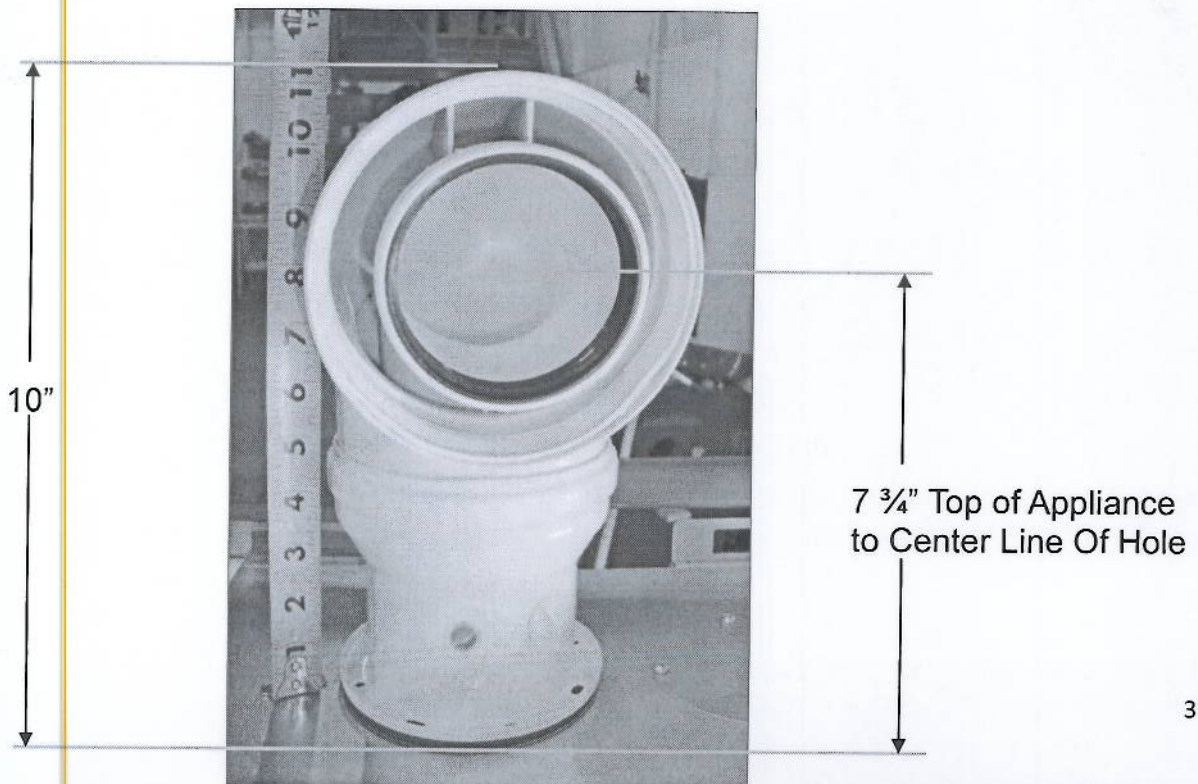
All concentric venting systems installed with Pensotti Solenne condensing wall mounted boilers must be fastened together to reduce the chance of the venting components separating.

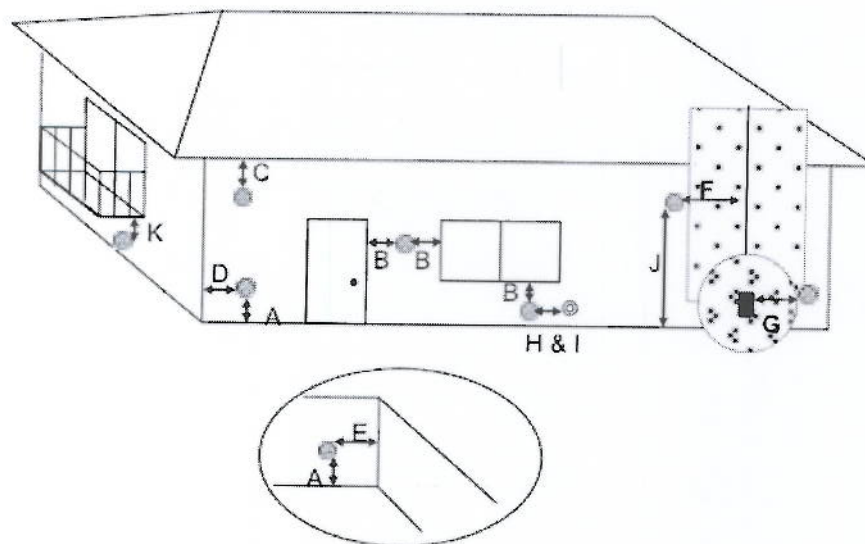
Two screws must be fastened through the outer air intake pipe, behind the gasket, at equal distances apart. The screws must be no longer than No. 8 x 1/2" sheet metal screws and must be zinc coated or stainless steel.



Be sure not to pierce the inner poly exhaust pipe.
Failure to comply with these instructions could result in property damage, personal injury or loss of life.

12" Clearance Suggested From The Top Of The Appliance To Ceiling





Direct Vent Termination Minimum Clearances	
A = 12"	Clearance above grade, snowline, deck, porch or balcony
B = 12"	Clearance to window or door that may be opened
C = 24"	Vertical clearance to ventilated and unventilated soffit within a 2' distance horizontally from center line of DV termination
D = 12"	Minimum distance to outside corner
E = 18"	Minimum distance to inside corner, included walls and fences.
F = 48"	Not to be installed above a gas meter/regulator within F from the center line of the meter/regulator
G = 48"	Minimum clearance to service regulator vent outlet, gas meter or electrical meter
H = 12"	Clearance to non-mechanical inlet air opening into the building
I = 36"	Clearance to a mechanical air inlet into the building
J = 84"	Minimum distance above a paved sidewalk or driveway located on public property. If terminal is located between two single family residences with a sidewalk or driveway between; the same 84" clearance applies.
K = 24"	Minimum clearance beneath porch, deck, veranda or balcony, only if the area below is completely open on at least two sides.

State and local codes may require different clearances, consult the local authority having jurisdiction in each area for details.

The vent hood must be installed on the leeward side of the structure. Avoid installing the vent hood on the side of the structure receiving normal prevailing winds.

The termination shall be located so that flue gasses, or condensate from the flues gasses, are not directed as to jeopardize people, building materials, building construction, siding or soffits. Flue gasses from the termination shall not be allowed to enter any type of structure.

The termination shall be located no less than 48" above or to the side of the exhaust for any other oil, gas or solid fuel appliance

3.8 Flue connections

⚠ In order to ensure that the appliance functions correctly and efficiently, the flue connection between the boiler and the flue terminal must be made using original components specifically designed for condensing boilers.

⚠ Traditional flue components cannot be used for conveying exhaust fumes from condensing boilers, nor vice versa.

- In order to make the choice of which flue to install easier, in addition to being drawn differently, the above-mentioned system is also differentiated in the flue catalogue and general price list by the insertion of the words "...in polypropylene..." .
- It is recommended that:
 - o for the exhaust discharge duct, the entire length of the flue slopes upwards towards the exterior in order to facilitate the flow of condensate back to the combustion chamber, which has been specifically designed to collect and drain the acidic condensate;
 - o for the air intake, the entire length of the duct slopes upwards towards the boiler to prevent the entry of rainwater, dust or foreign bodies into the pipe;
 - o in case of a vertical flue pipe installation, a condensate trap is fitted at the base of the flue installation and connected into drainage system (see fig. 1);
- In the case where a horizontal coaxial system is installed, the coaxial terminal must be positioned horizontally in that the exhaust duct has been specifically designed with the required slope and the air intake has been suitably protected against the weather;

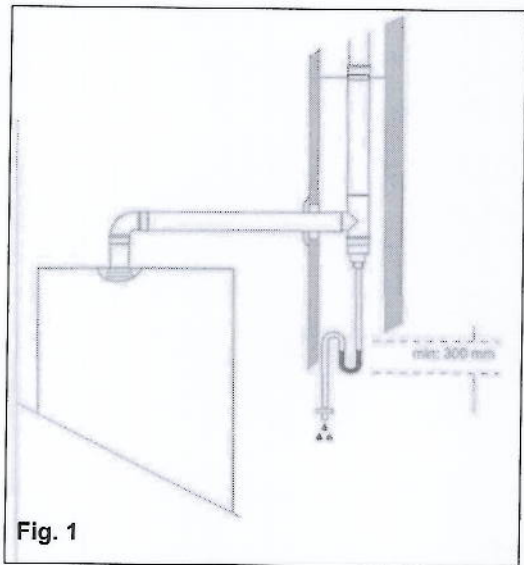


Fig. 1

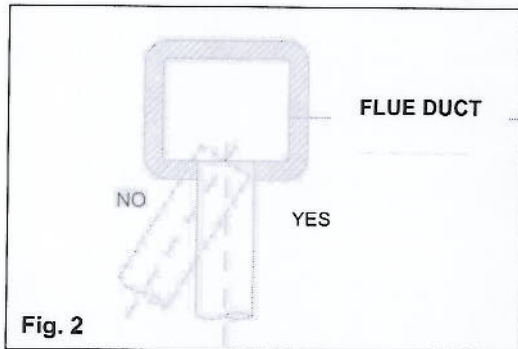


Fig. 2

Concentric Flue connections

It is mandatory that the manufacturers venting system be used.

Use only materials listed below for vent pipe and fittings. Failure to comply could result in personal injury, death or property damage and could void the boiler warranty.

Installations must comply with local code requirements and with U.S. ANSI Z223.1.

All venting must be properly supported. Boilers are not intended to support any type of vent system.

All vent pipe joints must be secured using 1/2" galvanized screws.

Item	Description
PAHVK	Standard 3/5" Vent Kit, includes Termination, 90° Ell, Wall sleeve and 2/4 to 3/5 adapter
PAHVKD	Deluxe 3/5" Vent Kit, includes Termination, Wall sleeve, 90° Ell, 10" Conc. Pipe, 39" Conc. Pipe & 2/4-3/5 Adapter w/ Test ports
PA27058LA	Pensotti Flat Roof Outlet Flashing
PA27059LA	Pensotti Pitched Roof Flashing
PA27088LA	Pensotti 45 Degree Co-Axial Elbow 3/5"
PA27089LA	Pensotti 90 Degree Co-Axial Elbow 3/5"
PA43186LA	Pensotti 5" Rubber Wall Plate
PA80020LA	Pensotti Horizontal Conc. Flue Terminal 3/5"
PA82112LP	Pensotti Vertical Conc. Flue Terminal 3/5"
PA82118LA	Pensotti 39" Conc. Pipe 3/5"
PA82254LA	Pensotti. 10" Conc. Pipe 3/5"

- The standard flue components above are suitable for horizontal and vertical applications.
- Maximum permissible equivalent flue lengths are;

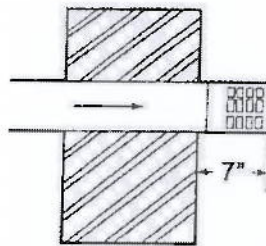
Horizontal: 8 meters / 26 feet
 Vertical: 8 meters / 26 feet

- Any additional turns in the flue system must be taken into consideration.
- Each elbow decreases the equivalent length as shown.

45° Elbow equals .5 meters / 1.64 feet
 90° Elbow equals .8 meters / 2.6 feet

- Horizontal venting systems: The 2/4 to 3.15/5 test port adapter and the first 90° elbow are not included in the total equivalent length of the vent system.
- Vertical venting systems: The vent termination is not included in the total equivalent length of the vent system.
- Horizontal venting systems must be sloped back towards the boiler at approximately 1/4" per linear foot of vent.

Horizontal vent termination: must terminate a minimum of 7" from the face of the outside wall in which it is installed.



Minimum distance between any two horizontal concentric vent terminations is 20" measured from the inner edge of each termination.

