

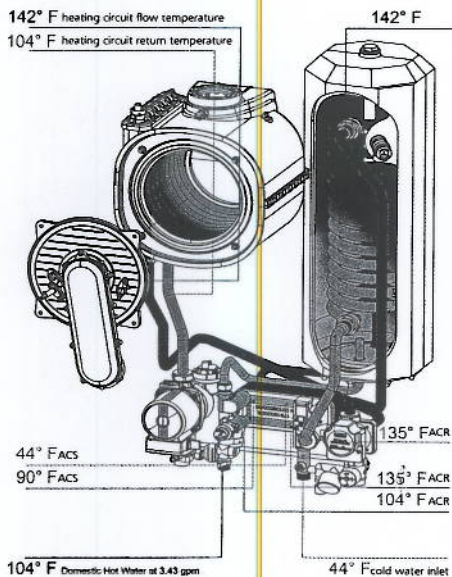
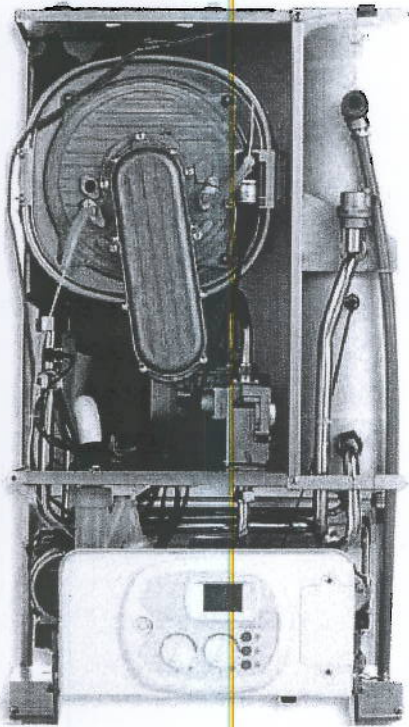
PENSOTTI Solenne Series

PCI Series

The **Solenne PCI** series is a wall-mounted, fully condensing, heat and micro-storage gas boiler with an internal stainless steel indirect water heater. Incorporating our patented Duopass system, the **PCI** series boiler will provide an abundant quantity of domestic hot water. This patented system consists of a stainless steel indirect water heater and a brazed plate heat exchanger.

Upon a demand for domestic hot water the **Solenne PCI** series boiler responds immediately, re-heating the water in the storage tank and pre-heating the entering cold water through the brazed plate heat exchanger.

With a ready supply of stored domestic hot water and the pre-heating of cold water entering the indirect water heater the **PCI** series has a dramatically increased recovery rate when compared to that of any standard combi-boiler. The **Solenne PCI** series is a viable alternative to many applications where an external indirect water heater would normally be required; saving valuable space while reducing material and installation costs.



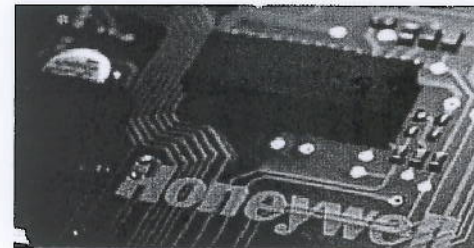
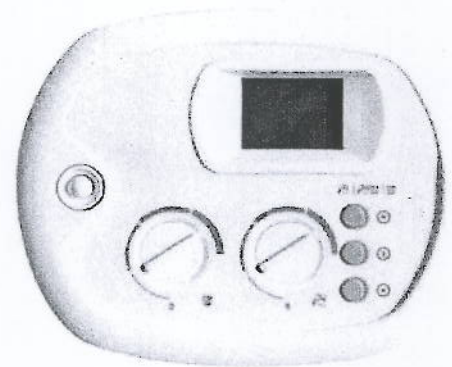
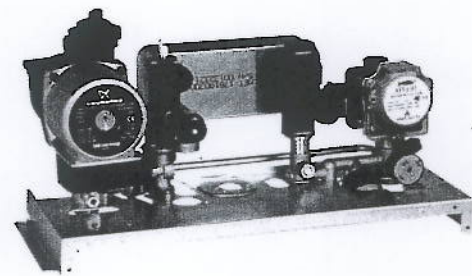
| MODEL | BTUH INPUT MAXIMUM | BTUH INPUT MINIMUM | WEIGHT (LBS.) | HEIGHT | WIDTH | DEPTH | DHW FLOW RATE @ 63° F RISE | DHW STORAGE (GALS.) | HEAT TEMP. RANGE | DHW TEMP. RANGE | CONC. VENT SIZE |
|-----------|-----------------------|-----------------------|------------------|--------|-------|-------|----------------------------------|---------------------------|------------------------|--------------------|--------------------|
| PCI 18/8 | 61,419 | 8,014 | 114.5 | 31.1" | 17.7" | 13" | 3.1 GPM | 2.11 | 86-176°F | 95-160°F | 3.15"/5" |
| PCI 34/20 | 116,013 | 34,121 | 146 | 35.5" | 19.5" | 18.9" | 4.5 GPM | 5.30 | 86-176°F | 95-160°F | 3.15"/5" |

PENSOTTI Solenne Series

Available in 3 distinct styles, **Solenne**, series boilers will accommodate most residential and light commercial heat and hot water applications. All **Solenne** boilers are wall-mounted, fully condensing with sealed combustion systems and a choice of 3 multiple venting options.

Unlike many other boilers, **Solenne** boilers are fully packaged making installation simpler, quicker, and less expensive. No matter which style you choose, every **Solenne** boiler offers a long list of standard features:

- Clean, appliance quality, metal cabinet
- Quality stainless steel heat exchanger
- Premix stainless steel gas burner
- Self diagnostic control system with digital display, heat and domestic water temperature control, freeze protection, circulator exercise function and outdoor temperature reset capability
- Dependable negative pressure gas valve
- Reliable direct spark ignition system
- Quiet, electronic variable speed blower
- Oversized stainless steel and copper brazed plate domestic hot water heat exchanger with electronic flow switch (combi and micro storage boilers)
- Built-in 3 speed circulator with automatic air vent
- Built-in expansion tank
- Internal low water safety switch
- Simple push button conversion to LP gas
- Convenient piping kit with isolation valves
- Service friendly design provides quick, easy access to all internal components
- Warranty; 2 year on parts and 10 years on the stainless steel heat exchanger



Pensotti LLC

34 Coffin Ave
PO Box 3358
Brewer, ME 04412
Tel: (207) 942-3636
Fax: (207) 942-3737

www.pensottiboiler.com