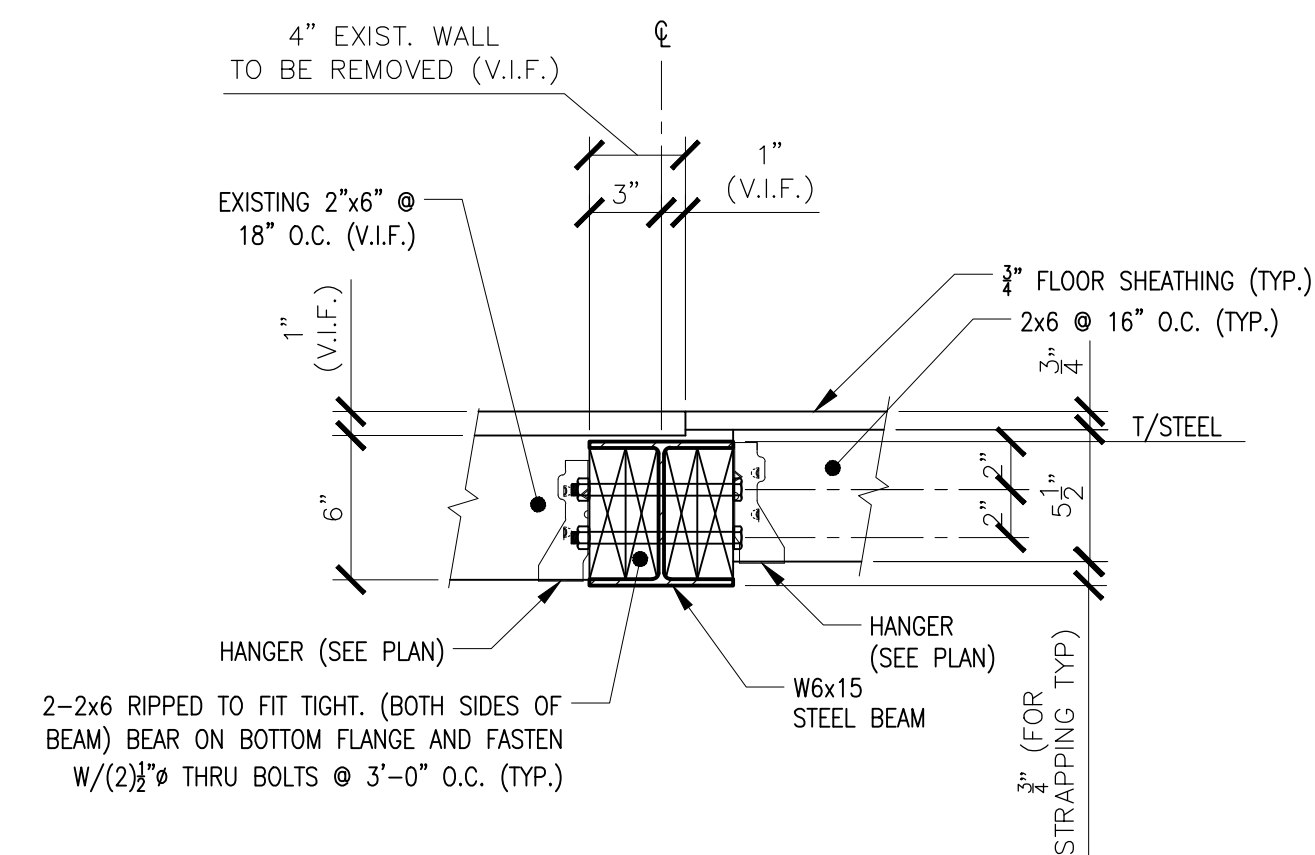
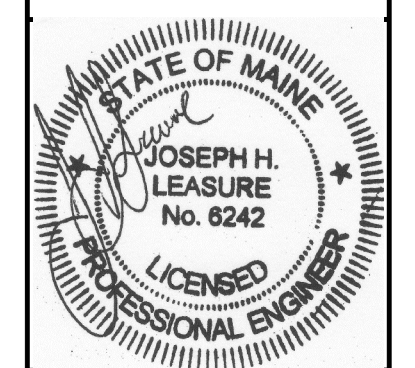


**ROOF FRAMING PLAN**  
1/4" = 1'-0"



**SECTION 1**  
1 1/2" = 1'-0" S3/S4

**L & L STRUCTURAL ENGINEERING SERVICES, INC.**  
SIX O. STREET  
SOUTH PORTLAND, MAINE 04106  
PHONE: (207) 767-4830  
FAX: (207) 799-5432



designed by:	date	description	approved
JHL	11/6/13	FOR PERMIT ONLY	JHL
drawn by: RLW			
checked by: JHL			
scale: AS NOTED			
date: 11/6/2013			
plot date: 11/6/2013			
project # 2013-139			

**RESIDENTIAL BUILDING LOCATED AT**  
52 MONUMENT STREET  
PORTLAND, MAINE  
RENOVATION  
ROOF FRAMING PLAN, AND SECTIONS

**S5**

**PRELIMINARY NOT FOR CONSTRUCTION**

THESE DRAWINGS HAVE BEEN DEVELOPED BY L&L STRUCTURAL ENGINEERING SERVICES, INC. FOR THE TITLED SET ONLY. THE DRAWINGS ARE THE SOLE PROPERTY OF L&L ENGINEERING SERVICES, INC. AND THEY SHALL NOT BE USED, LENT, COPIED OR ALTERED WITHOUT THE WRITTEN CONSENT OF L&L STRUCTURAL ENGINEERING SERVICES, INC.