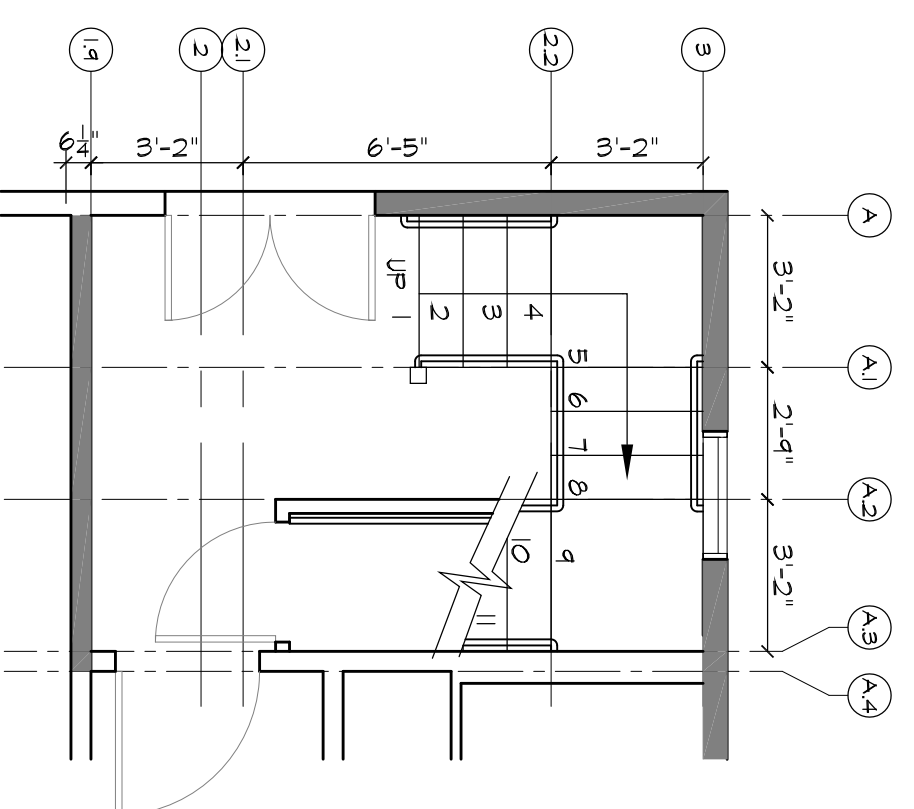
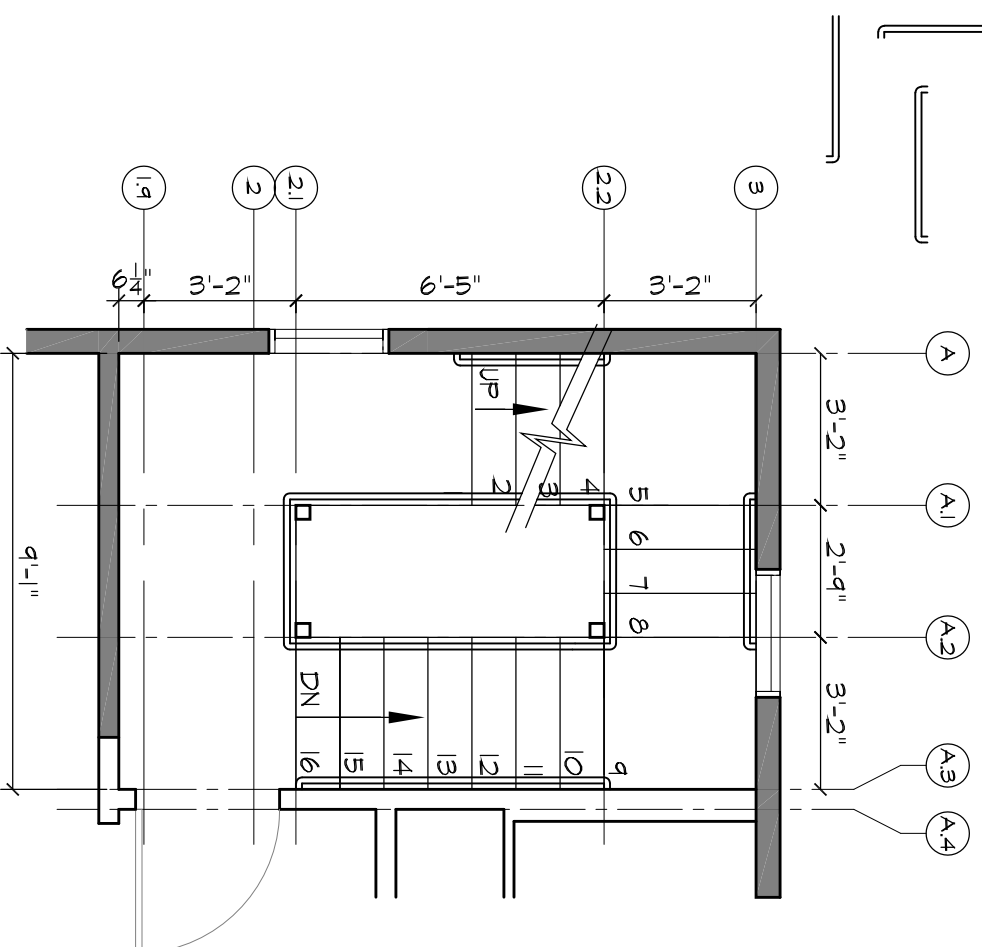


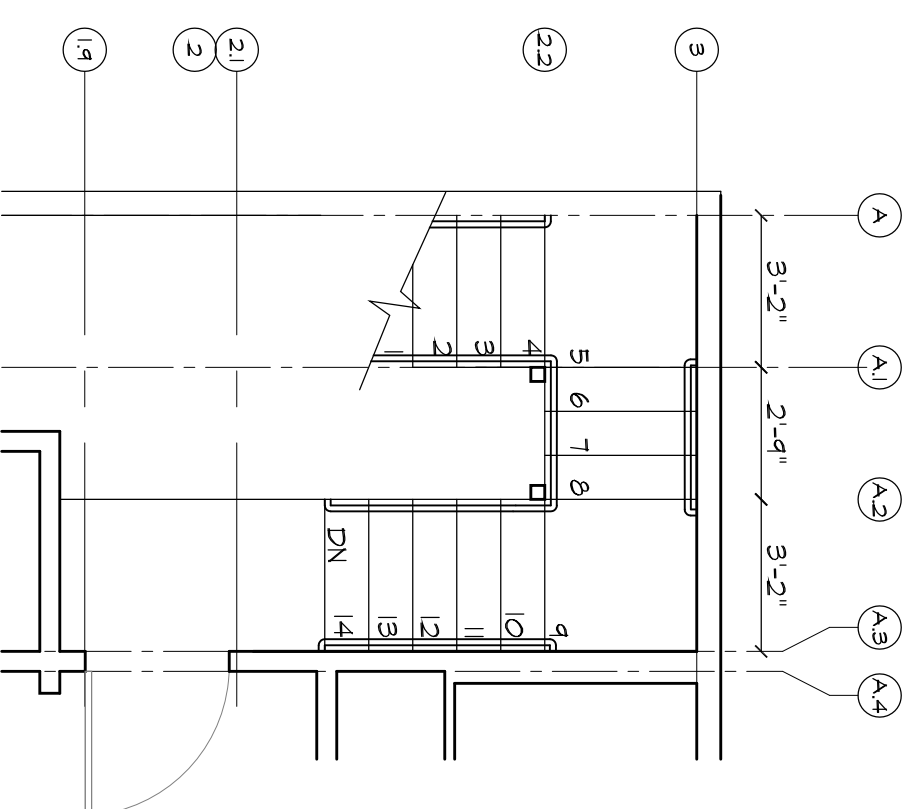
1 BASEMENT FLOOR PLAN  
SCALE 1/4"=1'-0"



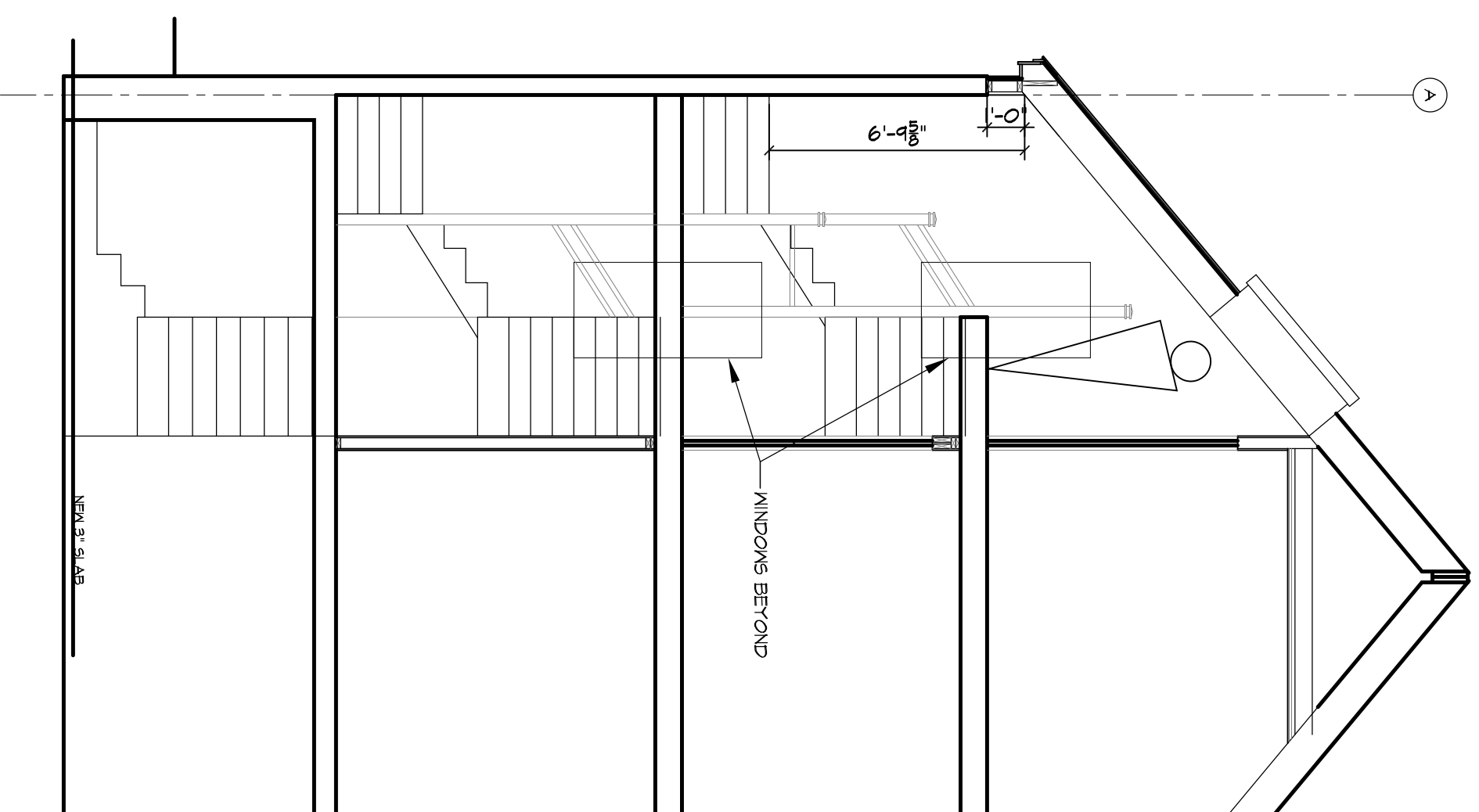
2 FIRST FLOOR PLAN  
SCALE 1/4"=1'-0"



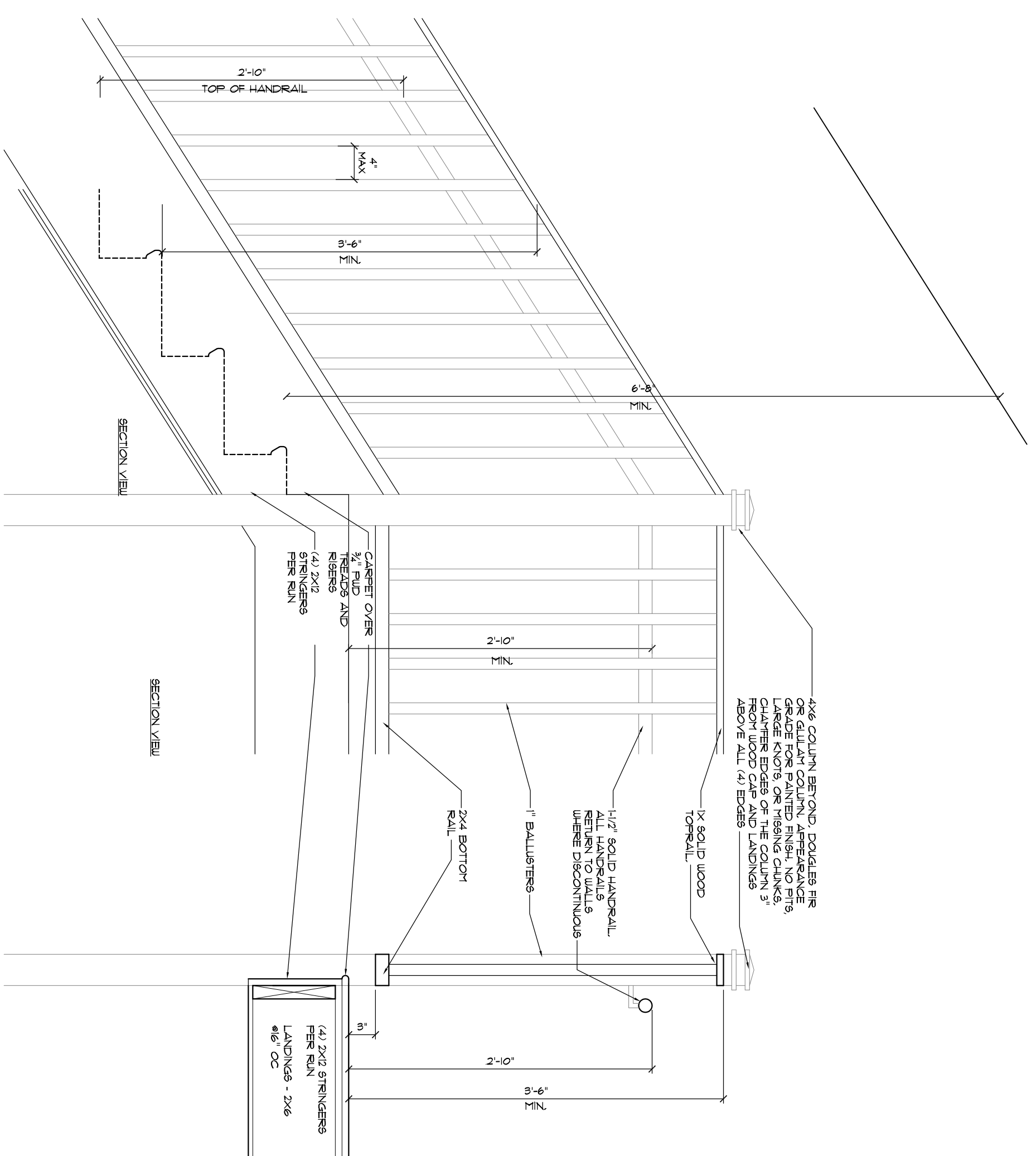
3 SECOND FLOOR PLAN  
SCALE 1/4"=1'-0"



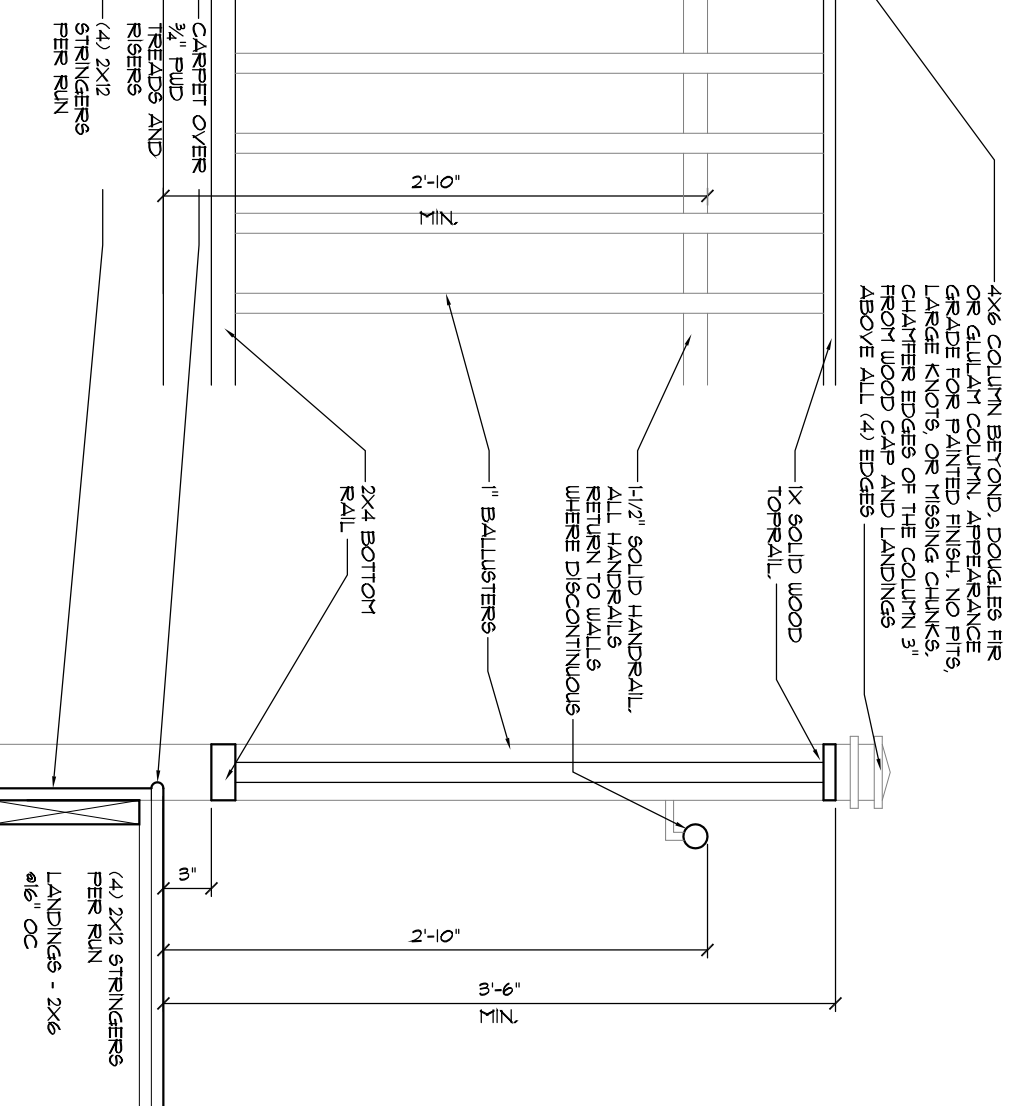
5 THIRD FLOOR PLAN  
SCALE 1/4"=1'-0"



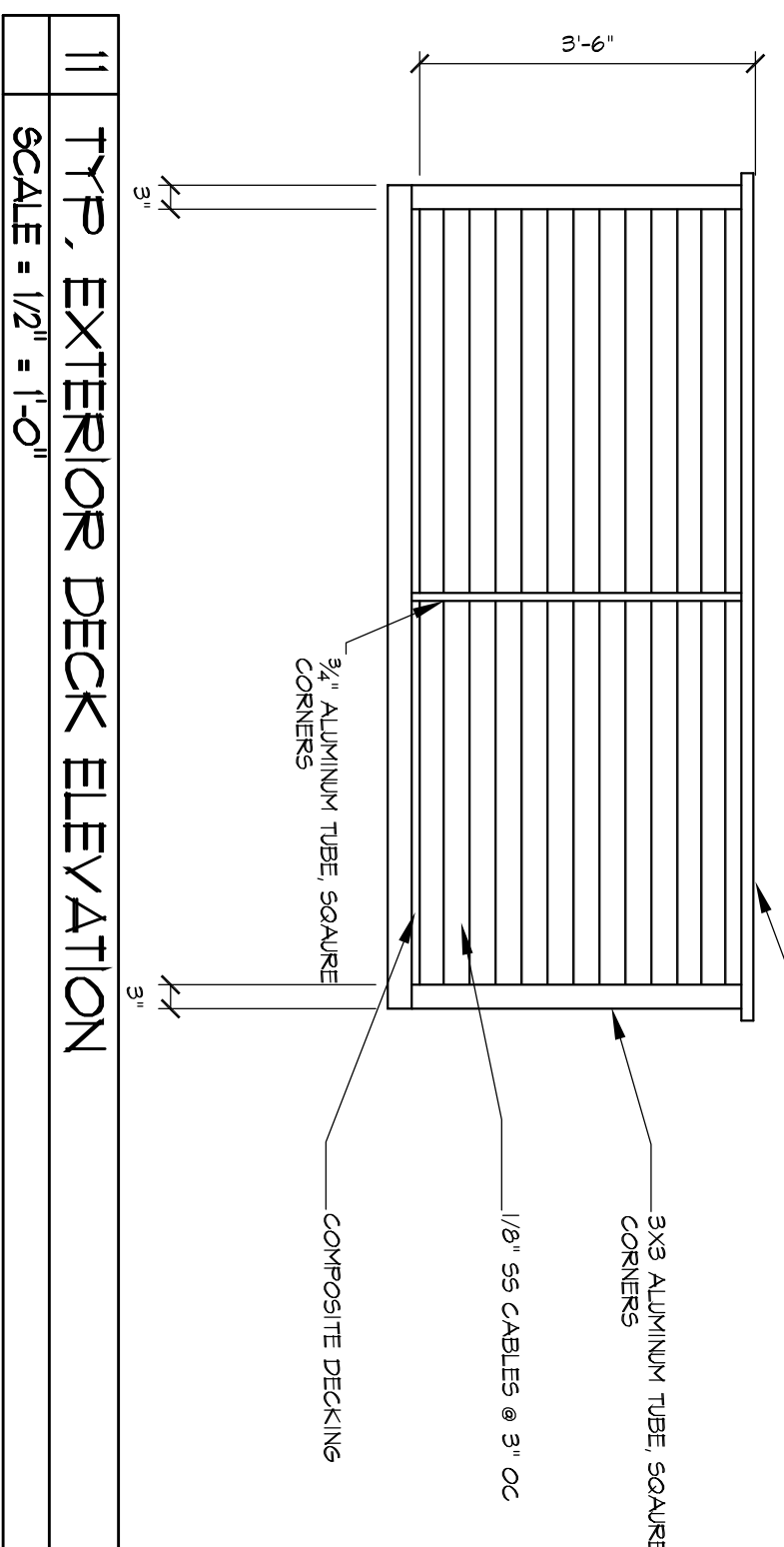
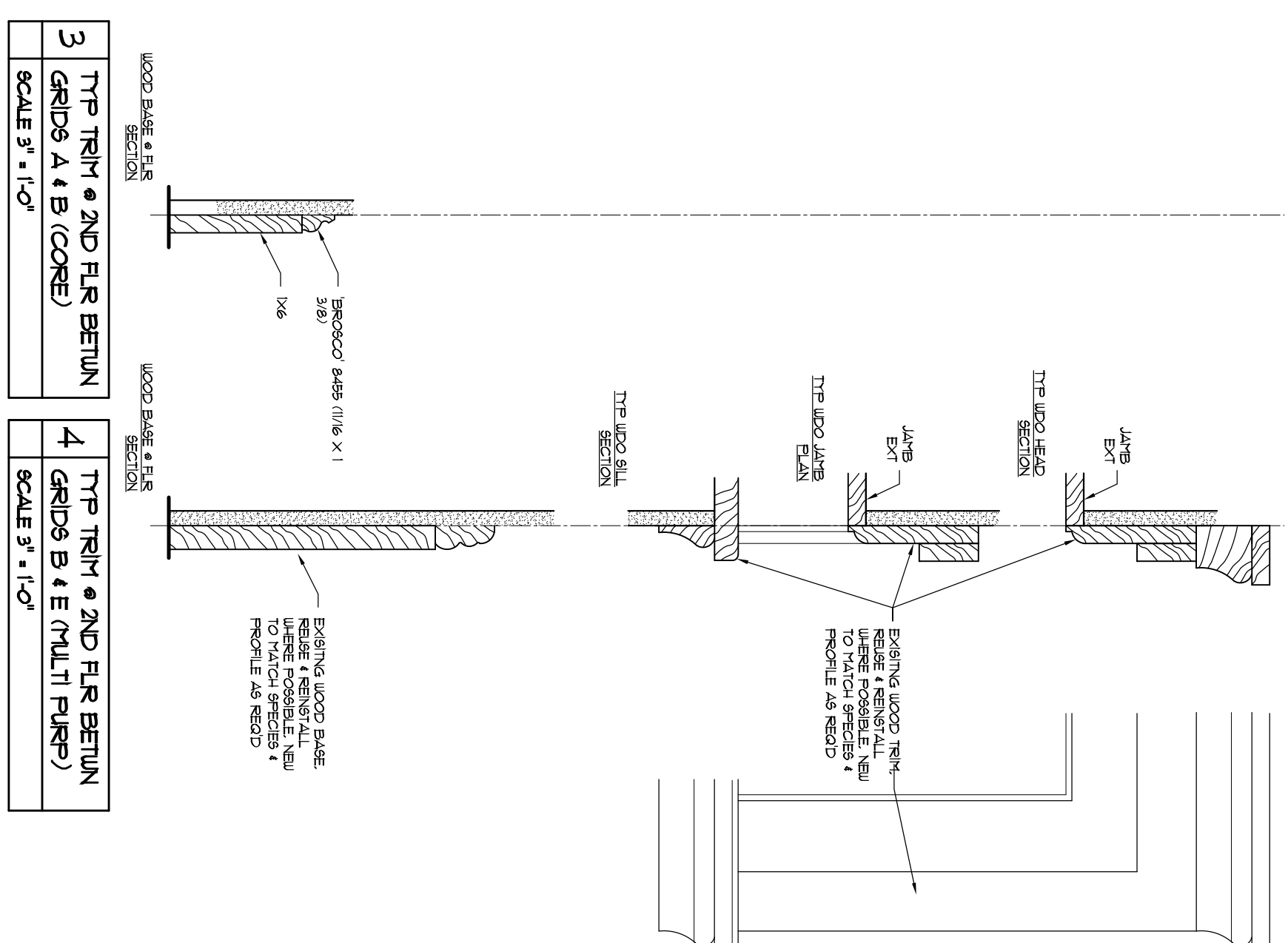
6 STAIR SECTION ALONG CL A  
SCALE 1/4"=1'-0"



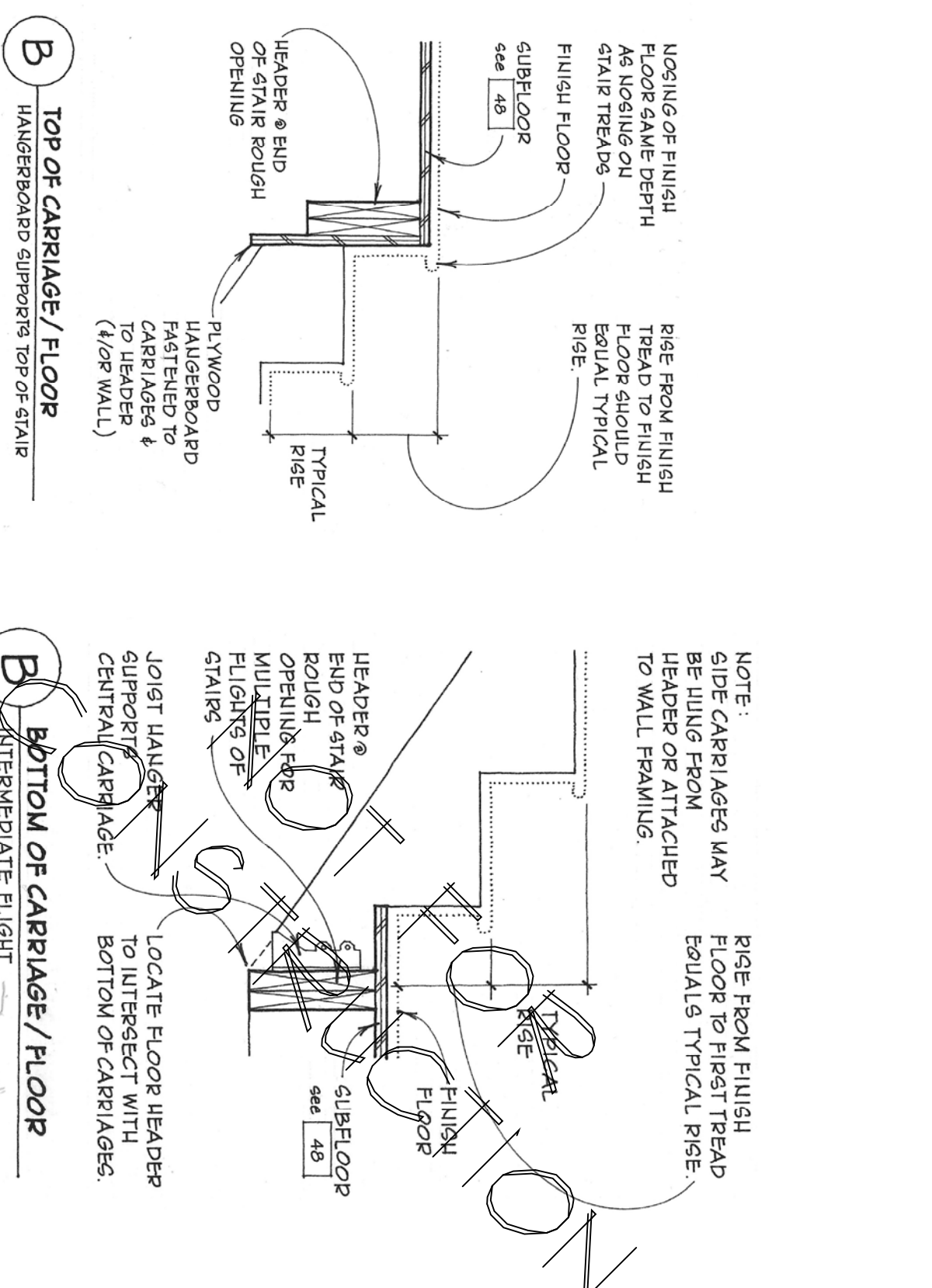
7 HANDRAIL ELEVATION  
SCALE 1"=1'-0"



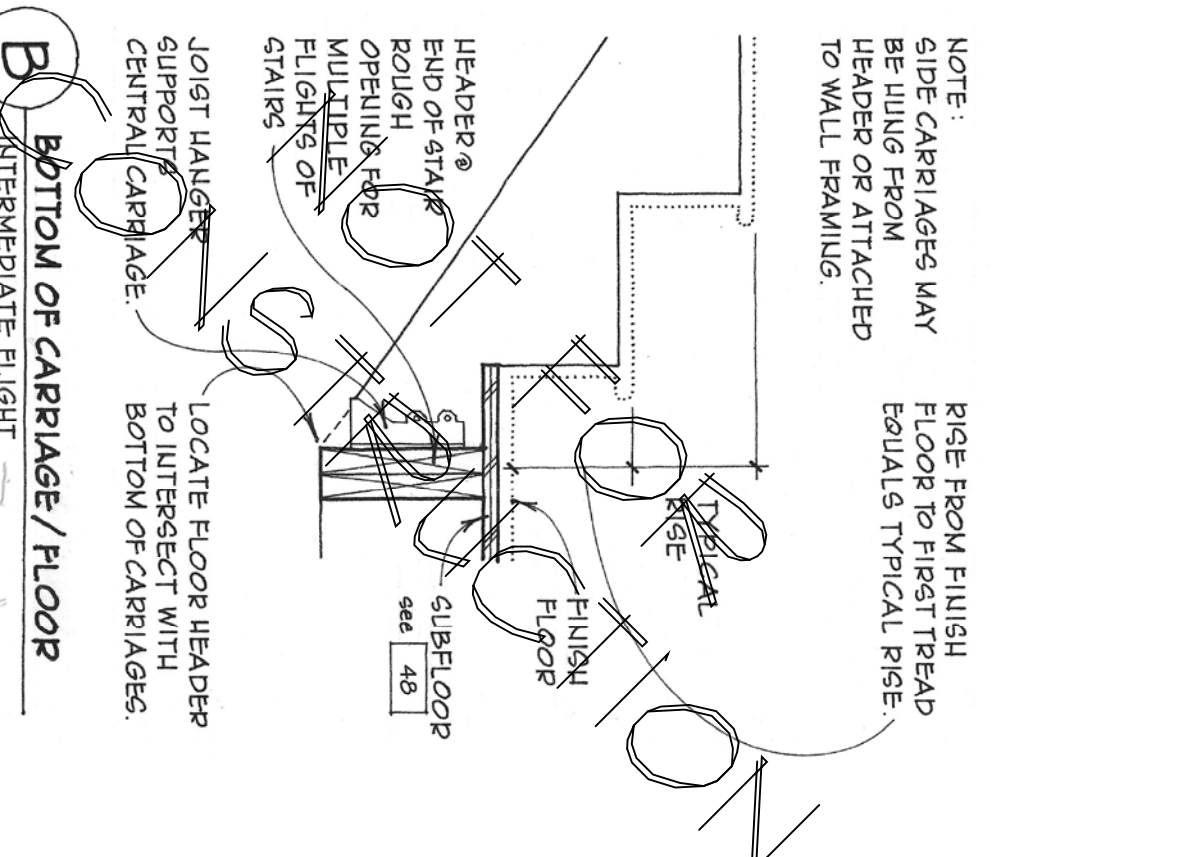
8 HANDRAIL SECTION  
SCALE 1"=1'-0"



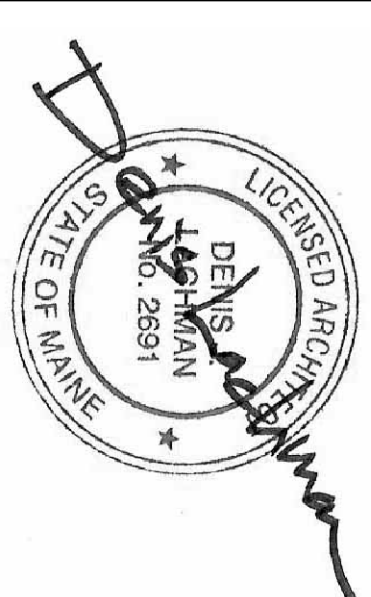
11 TYP. EXTERIOR DECK ELEVATION  
SCALE = 1/2" = 1'-0"



9 STAIR SECTION  
SCALE 1"=1'-0"



10 STAIR SECTION  
SCALE 1"=1'-0"



**Lachman**  
Architects & Planners  
Architecture  
Planning  
Preservation  
165 State Street  
Portland, Maine 04101  
207-773-3811

ALTERATIONS TO  
52 MONUMENT STREET  
PORTLAND, MAINE

**TITLE**  
STAIRS  
& RAILINGS

**DATE:**  
ORIGINAL: 11/5/13  
REVISION 1:  
REVISION 2:  
REVISION 3:  
**DESIGNED FOR:**  
BUILDING PERMIT SET

**DRAWING NO.:**  
A4