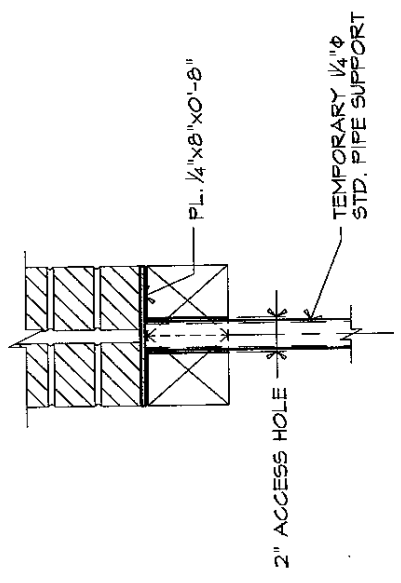
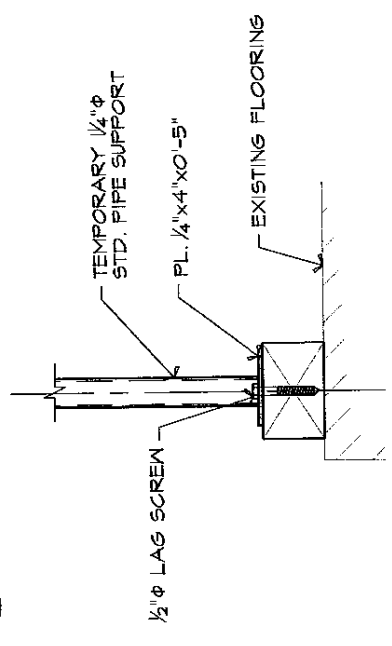


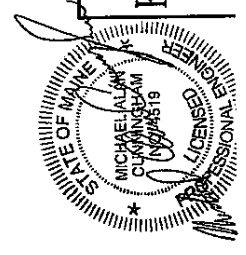
TEMPORARY SUPPORT FRAME ELEVATION
1/2" = 1'-0"



1 SECTION
NTS



2 SECTION
NTS



Lincoln/Haney
Engineering Associates, Inc.
6 Federal Street
Brunswick, Maine 04011

NEW BRICK SUPPORT LINTEL
96 ST. LAWRENCE STREET
PORTLAND, MAINE
TEMPORARY SUPPORTS
ELEVATIONS & SECTIONS