


60 MIN. RATED FIXED GLASS PANEL ELEVATION

1/2" = 1'-0"

DRAWING TITLE:		<h1>ASK 1</h1>
 <p>WINTON SCOTT ARCHITECTS, PA 5 Milk Street Portland, Maine 04101 207 774 4811</p>	<p>Cummings Center Portland, Maine</p>	<p>May 3, 2018</p>



SpeciFire®

FIRE-RATED GLASS & FRAME SELECTION GUIDE

UNCLEAR WHICH PRODUCT IS BEST FOR YOU?

Find the TGP product that best suits your project in a few easy steps. Simply answer the questions below, and we'll point you in the right direction.

RESULTS

FIRE PROTECTIVE PRODUCTS ⓘ what is this?

FireLite®

Max. exposed area in²: 3,325



Fire-Rated Glass Ceramic

FireLite® is a 3/16" (5 mm) thick glazing material listed for use in non-impact, safety-rated locations such as transoms and borrowed lites. FireLite is available in two different surface conditions for clear viewing, premium grade and standard grade.

Characteristics:

- **Now with ultraHD® Technology for improved color, clarity and surface quality**
- Fire-rated for up to 90 minutes with required hose stream test
- Glass ceramic
- Clear and wireless
- Available in two surface conditions for clear viewing, Premium Grade and Standard Grade
- Also available in an obscure pattern
- Large sizes available (see "UL Listings" section)
- Withstands thermal shock
- Passes positive pressure test standards UL 10C
- May be lightly sandblasted or etched on one side without affecting fire rating

[Learn more about this product](#)

[Start Over](#)

RESULTS SUMMARY

Project Type: **Glass Only**

Fire-Rating: **60 min.**

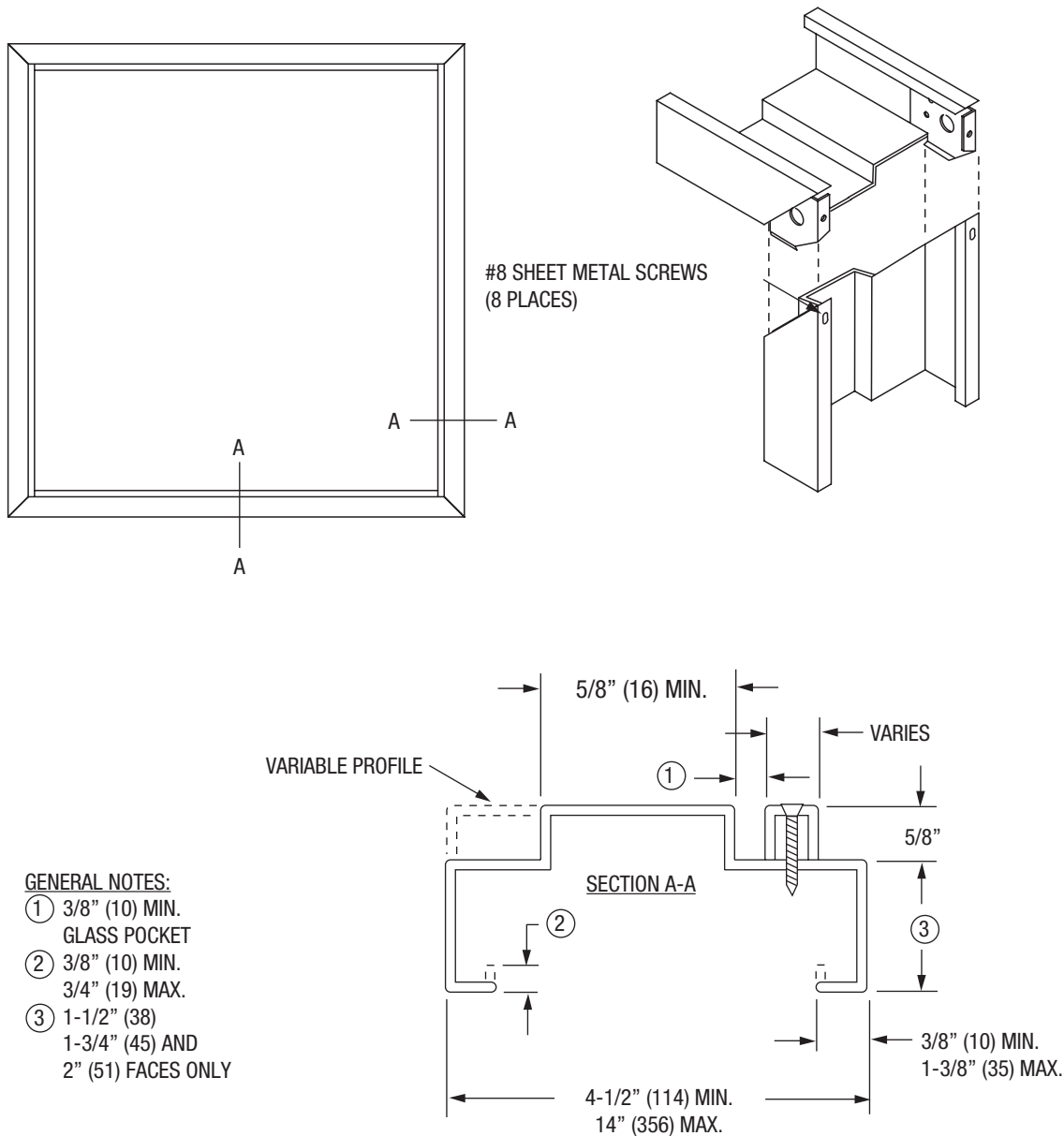
Application: **Other than Door**

Impact Glazing: **No**

[Find Your Local Distributor](#)

[Contact Your Local TGP Salesperson](#)

August, 2014

**SPECIFICATIONS:**

- A) SIZE: MAX. INDIVIDUAL VISIBLE GLASS SIZE IS 54" (1372) WIDE AND 77-3/4" (1975) HIGH, NOT TO EXCEED 2721 SQ. INCHES.
- B) POCKET DEPTH: 5/8" (16) MIN.
- C) WALL CONSTRUCTION: DRYWALL
- D) FRAME CONSTRUCTION: KD
- E) ANCHORS: FIRE WINDOW FRAME SHALL BE PROVIDED WITH LABEL APPROVED DRYWALL ANCHORS. IF COMPRESSION TYPE ANCHORS ARE USED THEY SHALL BE INSTALLED IN THE SILL AND HEAD MEMBERS.
- F) MATERIAL: COLD ROLLED OR GALVANIZED STEEL
- G) GAUGE: 16 GA. (1.5) MIN., 14 GA. (1.9) MAX.
- H) GLASS STOP SCREWS: NO. 8 SHEET METAL SCREWS SPACED 2" (51) FROM EACH END AND 12" (305) ON CENTER.
- I) GLAZING MATERIAL: "FIRELITE" OR "FIRELITE PLUS" GLASS INSTALLED WITH EITHER 100% SILICON, DAP 33, OR METACAULK 990 GLAZING COMPOUND.
- J) MAY NOT BE USED FOR POSITIVE PRESSURE APPLICATIONS.