

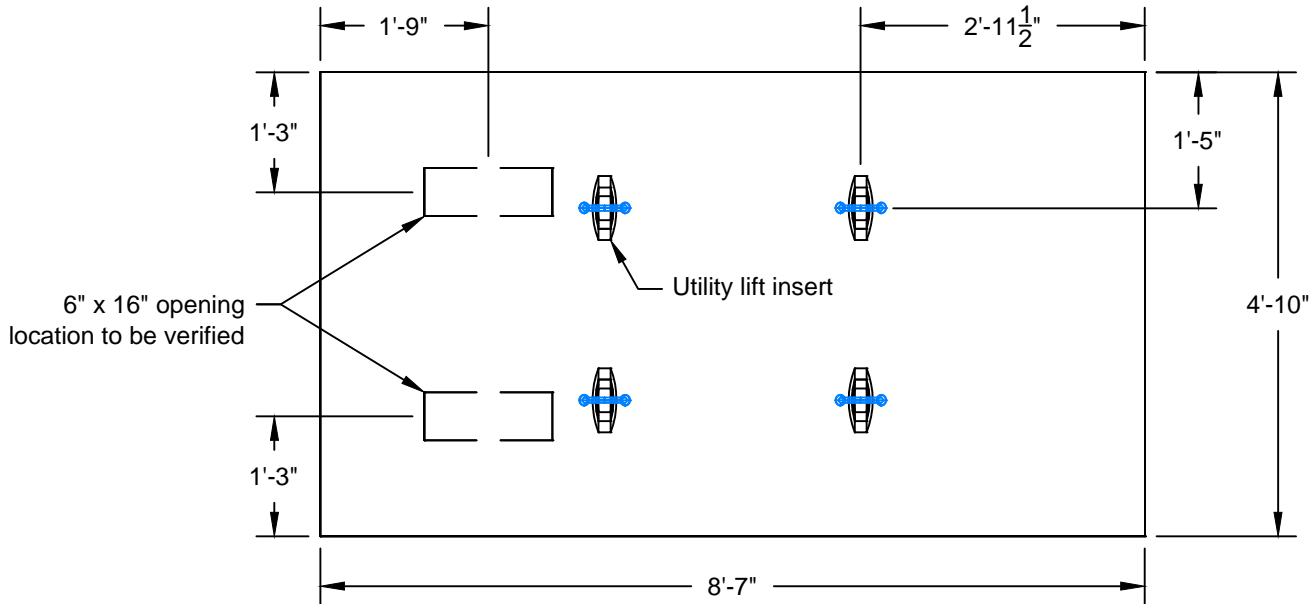


American Concrete Industries

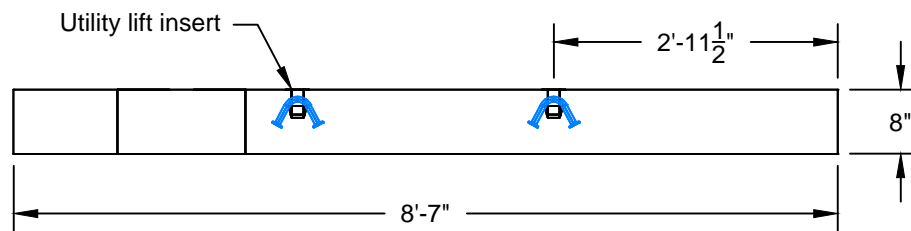
Generator Pad

Job Name: Munjoy Hill Fire Station

Contractor: City of Portland



Plan view



Elevation View

Notes:

- 1) Top surface shall have broom finish and eased edges

American Concrete Industries

1717 Stillwater Ave
Veazie, ME 04401

1022 Minot Ave
Auburn, ME 04210

Tel: 207-947-8334 - Fax: 207-947-3580

Tel: 207-784-1388 - Fax: 207-783-4039

Drawing Scale (Unless Otherwise Noted): 1/2" = 1'-0"

Date Drawn: 2/13/2014

File Name: Generator Pad

L-1