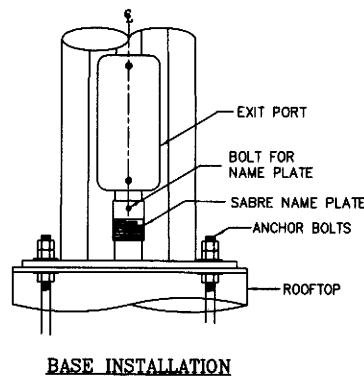
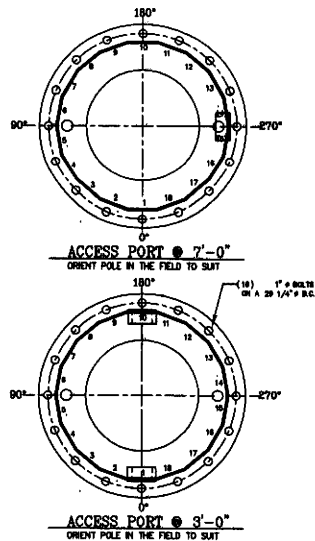
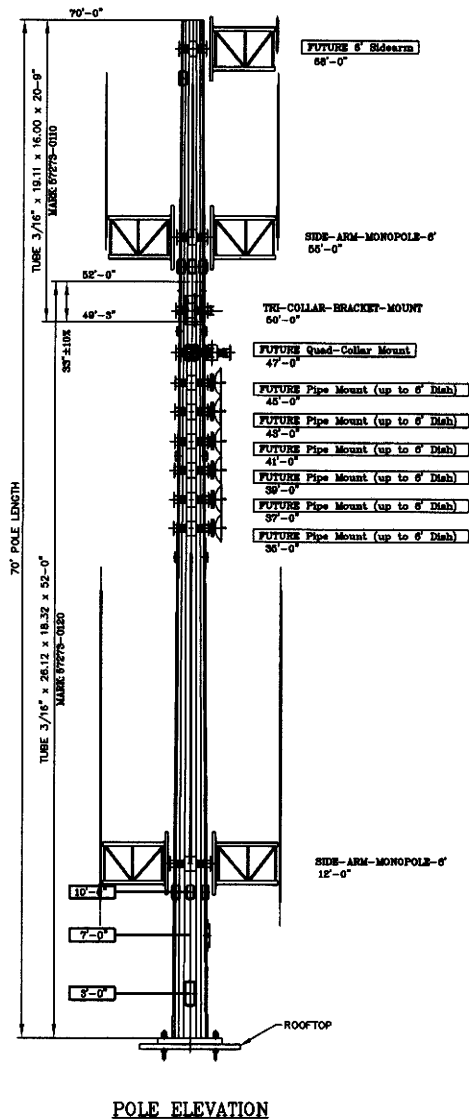


**NOTICE: ALL PARTS ARE TO BE INVENTORIED AND ANY SHORTAGES REPORTED WITHIN 48 HOURS OF DELIVERY. SHORTAGES REPORTED AFTER THIS TIME PERIOD WILL BE CHARGED TO THE CONTRACTOR.**

**CALL 800/369-6690 ASK FOR THE CONTRACTS DEPARTMENT**



**DRAWING LIST**

MONOPOLE ERECTION	57273-MM
MONOPOLE FABRICATION	57273-01
MOUNTS: TRI-COLLAR	C10112300
6' Sidearm	C10119106 C10151106
BILL OF MATERIALS	BOM-1

**BOLT INSTALLATION DETAILS**

1. INSTALLATION OF BOLTS: BOLTS FOR TOWERS AND ANTENNAS SHALL BE INSTALLED WITH THE NUTS FACING TO THE OUTSIDE AND/OR TO THE TOP OF THE TOWER, UNLESS PROHIBITED BY LACK OF CLEARANCE.
2. TIGHTENING OF BOLTS: ALL HIGH STRENGTH BOLTS SHALL BE TIGHTENED TO A SNUG-TIGHT CONDITION, AS DEFINED BY AISC.
3. NUT LOCKING DEVICE: ALL NUTS SHALL BE EQUIPPED WITH SOME TYPE OF NUT LOCKING DEVICE. SEE THE INDIVIDUAL DRAWINGS FOR THE TYPE OF NUT LOCKING DEVICE TO BE USED FOR EACH INDIVIDUAL APPLICATION.

UNLESS OTHERWISE SPECIFIED  
ALL DIMENSIONS INCLUDE  
FINISHES AND ARE IN INCHES

TOLERANCES: FRACTIONS ± 1/16"  
ANGLES ± 1/2 DEG.  
DECIMALS ± .010"

MATERIAL:

**Sabre Industries**  
Towers and Poles

CONFIDENTIAL

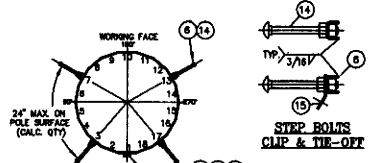
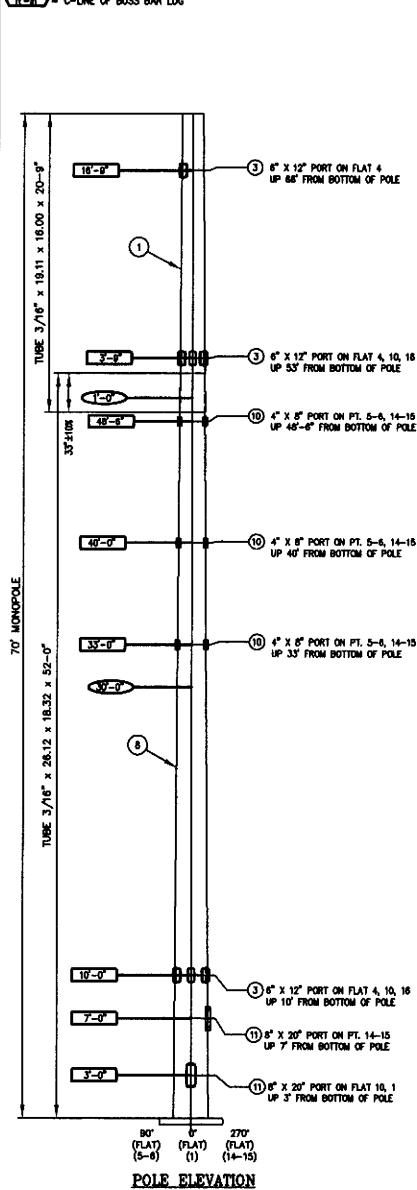
This Document and the information contained herein is the confidential trade secret property of Sabre Communication Corporation (Sabre) and must not be reproduced, copied or used, in whole or in part, for any purpose without the prior written consent of Sabre. ©2012 Sabre Communications Corporation. All rights reserved.

City of Portland, ME  
Munjoy Hill, ME

70.00 MONOPOLE

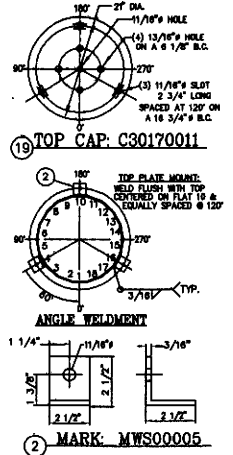
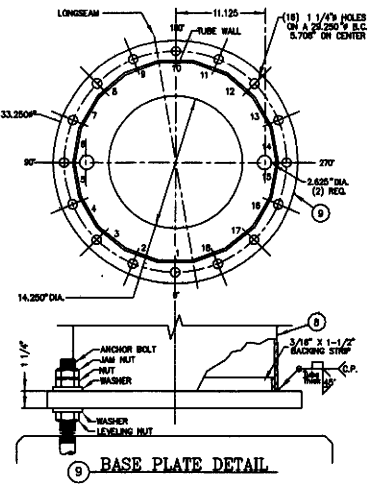
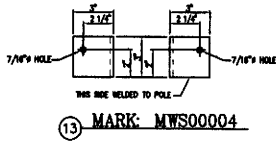
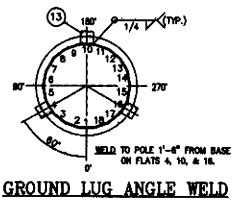
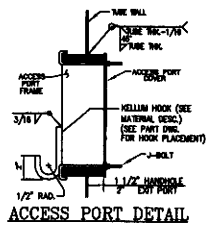
DATE	02Apr12	SIZE	B	DRAWING NO.	57273-MM	REV	0
DRAWN BY	JKW	CHECKED BY	WJ	SCALE	N.T.S.	PAGE	1 of 1

**(R-1)** = BOTTOM OF SECTION TO STAND OFF BRACKET  
**(R-2)** = C-LINE OF BUSS BAR LUG



**CLIMBING AND SAFETY DETAILS**

- CLIMBING SYSTEM IS CENTERED ON FACE 1 STARTING AT 15" BELOW TOP TO 10'-0" FROM BASE WITH 15" ALTERNATE SPACING.
- WORKING STEP CLIPS ARE PLACED AT THE NEAREST CLIMBING STEP LEVEL DOWN 72" FROM THE APPURTENANCE CENTER LINE SPACED ON THE CIRCUMFERENCE AT A DISTANCE NOT TO EXCEED 24" ON CENTER.
- SAFETY CLIMB SYSTEM IS CENTERED ON FACE 1.
- TOP STAND OFF BRACKET IS 12" FROM THE TOP.
- INTERMEDIATE STAND OFF BRACKETS ARE SPACED AT 27" MAX.
- BOTTOM STAND OFF BRACKET IS 10'-0" FROM THE BASE.



ITEM	QTY	MARK NO.	DESCRIPTION	MATERIAL	WEIGHT	
1	1	57273-010	TUBE 3/16" x 18.11 x 16.00 x 20'-9"	A572-65	729	
2	3	MWS00005	BASE PLATE 1 1/4" x 31.50" ROUND	A-36	243	
3	4	C3038108	Access Part (6" x 12" x 2-3/4" x 3/16") 2 Inlathm holes	A-500-C	41	
4	1	MWS00001	TOP STAND OFF SAFETY BRACKET	A-36	1	
5	1	MWS00002	MIDDLE STAND OFF SAFETY BRACKET	A-36	1	
6	22	MWS00001	STEP BOLT CLIP 3/16" x 2" x 3/16"	A-36	3	
7	4	C3038028	1" x 8 HEAVY HEX BACKING NUT (BLACK)	A-503	1	
					ASSEMBLY WEIGHT:	781

ITEM	QTY	DESCRIPTION	MATERIAL	WEIGHT		
14	43	C3034402	6/8"-11 X P STEP BOLT (GALV)	A-307	68	
15	12	C3031028	STEP BOLT ANCHOR BRACKET	A-36	2	
16	7	C3038002	6.5" x 12.5" x 0.1875" ACCESS COVER (GALV)	A-36	33	
17	8	C3038016	4.5" x 8.0" x 0.1875" ACCESS COVER (GALV)	A-36	14	
18	3	C3038024	6.5" x 9.0" x 0.1875" ACCESS COVER (GALV)	A-36	33	
19	1	C30170011	TOP CAPER KIT 12" TO 18"	A-36	39	
20	1	C3038404	SAFETY-CRIMP-SYSTEM-SELECT-NIT 100'	---	47	
21	4	C3038001	1/2" DIA OF GOLD GALV SPRAY	---	1	
22	1	C303000	WELD FLUSH	---	1	
					SHIP LOOSE USE:	235

ITEM	PORT NUMBER	SIZE	DEPTH	DEPTH	THICK	MATERIAL	SPR
3	C3038108	6"	12"	2 3/4"	3/16"	A-500-C	
10	C3038120	6"	6"	3 1/2"	1/2"	A-500-C	
11	C3038028	6"	20"	4"	3/16"	A-500-C	

WIND SPEED	WIND PER.	APURTENANCE LOADING
Dx1 ELEV.	Dx1 ELEV.	

UNLESS OTHERWISE SPECIFIED ALL DIMENSIONS INCLUDE FINISHES AND ARE IN INCHES	MATERIAL:
TOLERANCES: FRACTIONS ± 1/16" ANGLES ± 1/2 DEG DECIMALS ± .012"	TOLERANCES DO NOT APPLY TO RAW MATERIAL
DATE	DRWCHK
DATE	DESCRIPTION

**Sabre Industries**  
Towers and Poles

CONFIDENTIAL  
Information contained herein is the sole property of Sabre Communications Corporation, constitutes a trade secret, and shall not be reproduced, copied or used in whole or in part for any purpose whatsoever without prior written consent of Sabre Communications Corporation.

City of Portland, ME  
Munjoy Hill, ME

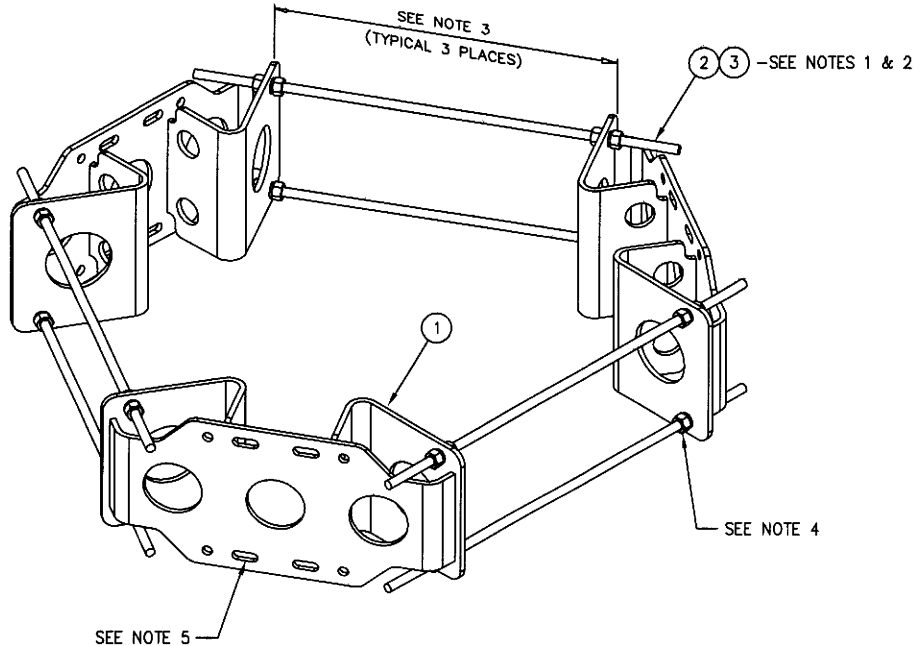
70.00 MONOPOLE

JOB 57273	SIZE B	DRAWING NO. 57273-01	REV 0
DATE 02Apr12	DRAWN BY JKW	SCALE N.T.S.	PAGE 1 of 1
CHECKED BY WJ			



**C10112300 TRI-COLLAR ASSEMBLY (10"-40" MONOPOLE)**

ITEM	QTY.	PART. NO.	DESCRIPTION	WEIGHT
1.	3	CW00835	WELDMENT, TRI-COLLAR (10"-40" MONOPOLE)	151
2.	6	C40094012	THREADED ROD ASSEMBLY 5/8 X 2'-9"	25
3.	6	C40094002	THREADED ROD ASSEMBLY 5/8 X 1'-6"	17
TOTAL WEIGHT				193



**ISOMETRIC VIEW**

**NOTES:**

1. THERE ARE (2) LENGTHS OF THREADED ROD SUPPLIED TO ACCOMMODATE DIAMETERS LISTED BELOW  
USE 5/8 X 1'-6" THREADED ROD ASSEMBLY FOR 10"-24" MONOPOLE DIAMETERS  
USE 5/8 X 2'-9" THREADED ROD ASSEMBLY FOR 24"-40" MONOPOLE DIAMETERS (SEE NOTE 2)
2. THREADED ROD MAY BE SHORTENED IF REQUIRED, FIELD CUT AND COLD GALV SPRAY TO SUIT.
3. THIS DISTANCE MUST BE EQUAL IN ALL (3) THREE LOCATIONS TO ENSURE THE STRUCTURAL INTEGRITY OF THE THREADED RODS AS WELL AS 120° SEPARATION.
4. FOR MONOPOLES 13" DIA. OR SMALLER, ONLY (1) ONE NUT AND (1) ONE LOCKWASHER ARE REQUIRED BETWEEN THE TRI-COLLAR BRACKETS.  
FOR MONOPOLES LARGER THAN 13" DIA., (2) TWO NUTS AND (2) TWO LOCKWASHERS ARE REQUIRED BETWEEN THE TRI-COLLAR BRACKETS.
5. THE MOUNTING SLOTS NOTED WILL ACCOMMODATE 2 3/8"-4 1/2" O.D. MOUNTING PIPES.

UNLESS OTHERWISE SPECIFIED ALL DIMENSIONS INCLUDE FINISHES AND ARE IN INCHES		MATERIAL:
TOLERANCES: FRACTIONS ± 1/16" ANGLES ± 1/2 DEG. DECIMALS ± .010"		TOLERANCES DO NOT APPLY TO RAW MATERIAL
REV	DATE	DESCRIPTION
2	8/11/10	MLC/MLC ADDED 5/8 X 1'-6" THREADED ROD
1	1/6/10	MLC/MLC REDRAWN IN AUTOCAD

**Sabre Industries<sup>®</sup>**  
Towers and Poles

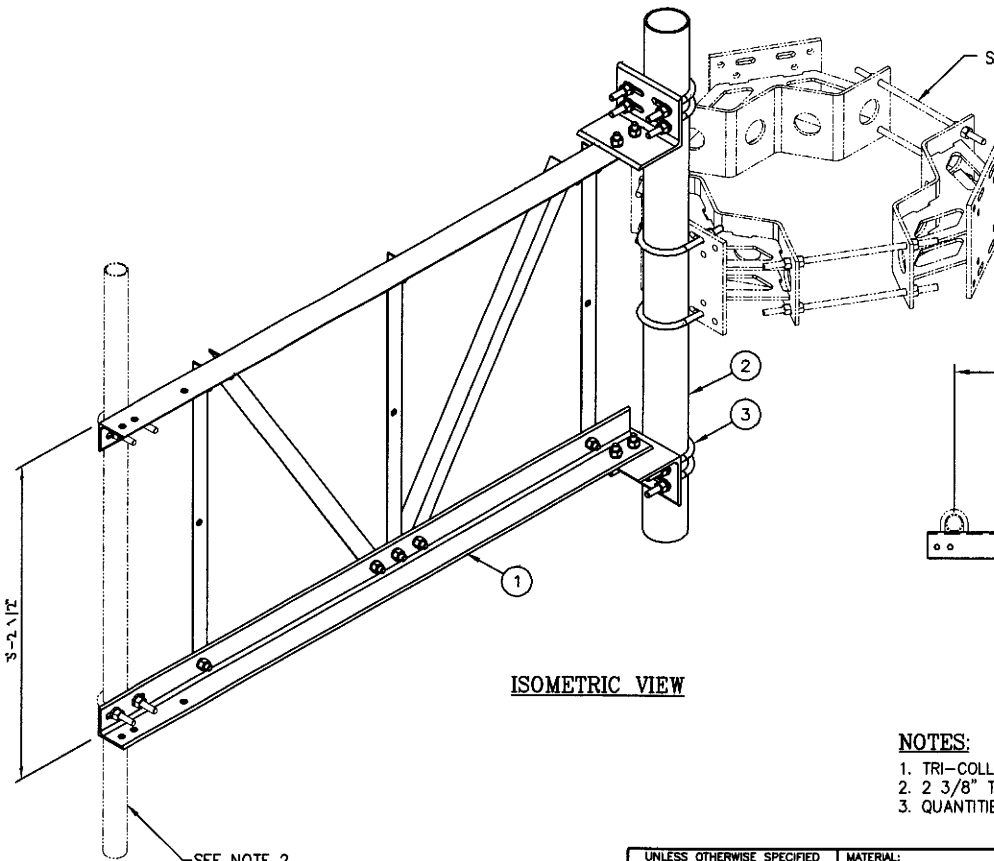
**CONFIDENTIAL**  
This document and the information contained herein is the confidential trade secret property of Sabre Communications Corporation ("Sabre") and must not be reproduced, copied or used, in whole or in part, for any purpose without the prior written consent of Sabre.  
© 2011 Sabre Communications Corporation. All rights reserved.

<b>TRI-COLLAR BRACKET ASSEMBLY FOR MONOPOLES (10"-40" DIA.) (CIRCUMFERENCE 31.4" TO 125.7")</b>			
DATE	8/21/09	SIZE	B
DRAWN BY	JV	DRAWING NO.	C10112300
CHECKED BY	MLC	SCALE	None
		REV	2
		PAGE	1 OF 1

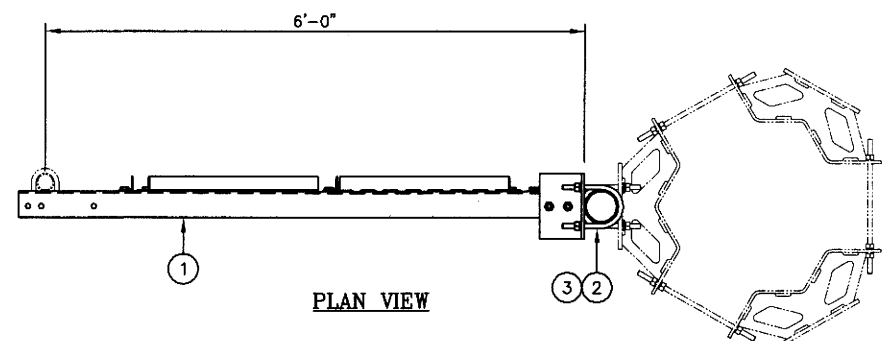


**C10119106 6 FT. SIDEARM FOR MONOPOLE**

ITEM	QTY.	PART NO.	DESCRIPTION	WEIGHT
1.	1	C10151106	6 FT. SIDEARM KIT	144
2.	1	C10981405	PIPE, 4 1/2" Ø X .180 X 5'-3"	44
3.	6	C40034032	U-BOLT ASSEMBLY, 5/8" Ø X 5 3/16" C-C	17
TOTAL WEIGHT				205



**ISOMETRIC VIEW**



**PLAN VIEW**

**NOTES:**

1. TRI-COLLAR MOUNTS ARE SHOWN TYPICAL AND MUST BE PURCHASED SEPARATELY.
2. 2 3/8" THRU 4" O.D. MOUNTING PIPE & U-BOLTS MUST BE PURCHASED SEPERATELY.
3. QUANTITIES SHOWN ARE FOR ONE (1) SIDEARM ONLY.

SEE NOTE 2

UNLESS OTHERWISE SPECIFIED ALL DIMENSIONS INCLUDE FINISHES AND ARE IN INCHES		MATERIAL:	
TOLERANCES: FRACTIONS ± 1/16" ANGLES ± 1/2 DEG. DECIMALS ± .010"		TOLERANCES DO NOT APPLY TO RAW MATERIAL	
REV	DATE	DRW/CHK	DESCRIPTION
3	1/14/08	MJC/LMG	REVISED PIPE (NEW 2)
2	11/10/06	WRF/HMN	ADDED ISOMETRIC VIEW
1	01/12/06	MJC/LMG	UPDATED DRAWING

**Sabre Industries<sup>®</sup>**  
Towers and Poles

**CONFIDENTIAL**  
This document and the information contained herein is the confidential trade secret property of Sabre Communications Corporation ("Sabre") and must not be reproduced, copied or used, in whole or in part, for any purpose without the prior written consent of Sabre.  
© 2006 Sabre Communications Corporation. All rights reserved.

<b>6 FT. SIDEARM FOR MONOPOLE</b> (FOR MTG. PIPES 2 3/8" O.D. THRU 4" O.D.)			
DATE	01/05/06	SIZE	B
DRAWN BY	JKW	DRAWING NO.	C10119106
CHECKED BY	WJ	REV	3
SCALE		PAGE	
None		1 OF 1	



**C10151106 6 FT. SIDEARM ASSEMBLY**

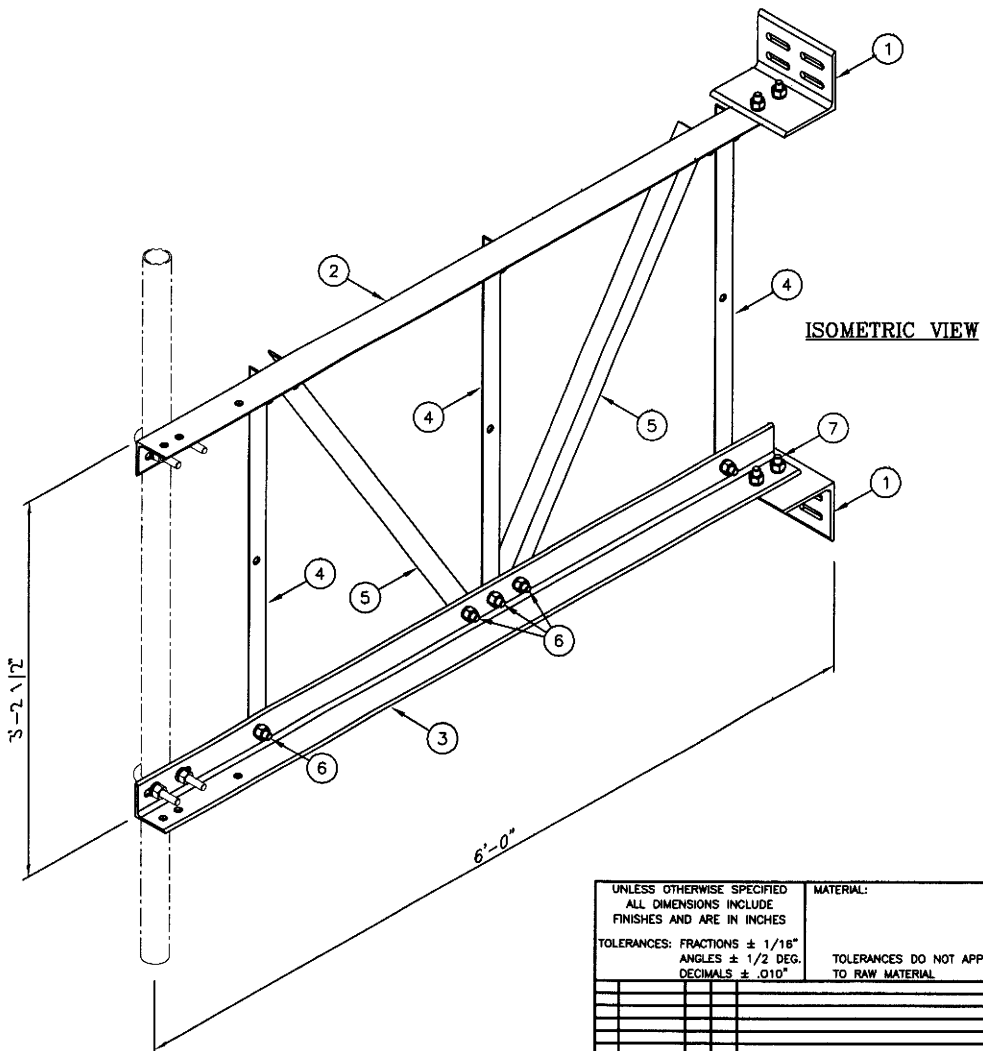
(1)	CK00061	SIDEARM ANGLE KIT	138
(1)	---	MISC HARDWARE (FRAMING)	6
<b>TOTAL WEIGHT</b>			<b>144</b>

**CK00061 KIT LIST OF MATERIAL**

ITEM	QTY.	PART NO.	DESCRIPTION	WEIGHT
1.	2	CS00067	ANGLE, BOOM SUPPORT	23
2.	1	CS01225	ANGLE, TOP CHORD	37
3.	1	CS01226	ANGLE, BOTTOM CHORD	37
4.	3	CS00065	ANGLE, VERTICAL	23
5.	2	CS01228	ANGLE, DIAGONAL	18
<b>TOTAL WEIGHT</b>				<b>138</b>

**MISC HARDWARE (FRAMING)**

ITEM	QTY.	PART NO.	DESCRIPTION	WEIGHT
6.	10	C40026022	BOLT ASSEMBLY, 5/8 $\phi$ X 1 3/4 A325	4
7.	4	C40026023	BOLT ASSEMBLY, 5/8 $\phi$ X 2 A325	2
<b>TOTAL WEIGHT</b>				<b>6</b>



**NOTES:**

- 2 3/8" O.D. THRU 4" O.D. MOUNTING PIPE & U-BOLTS MUST BE PURCHASED SEPARATELY.
- QUANTITIES SHOWN ARE FOR ONE (1) SIDEARM ONLY.

UNLESS OTHERWISE SPECIFIED ALL DIMENSIONS INCLUDE FINISHES AND ARE IN INCHES		MATERIAL:
TOLERANCES: FRACTIONS $\pm 1/16"$ ANGLES $\pm 1/2$ DEG. DECIMALS $\pm .010"$		TOLERANCES DO NOT APPLY TO RAW MATERIAL
REV	DATE	DESCRIPTION
1	11/10/06	RWF:MM:ADDED ISOMETRIC VIEW

**Sabre Industries<sup>®</sup>**  
Towers and Poles

**CONFIDENTIAL**  
This document and the information contained herein is the confidential trade secret property of Sabre Communications Corporation ("Sabre") and must not be reproduced, copied or used, in whole or in part, for any purpose without the prior written consent of Sabre.  
© 2006 Sabre Communications Corporation. All rights reserved.

<b>6 FT. SIDEARM</b> (FOR MTG. PIPES 2 3/8" O.D. THRU 4" O.D.)			
DATE	12/19/05	SIZE	B
DRAWN BY	TLH/RWM	DRAWING NO.	C10151106
CHECKED BY	RWM	REV	1
SCALE		PAGE	
None		1 OF 1	



CUSTOMER: City of Portland, ME  
 SITE: Munjoy Hill, ME  
 SITE NO:  
 DESC: 70.00 ft. WIRELESS MONOPOLE  
 P.O. NO:

1

PC=PIECE OR=ORANGE  
 PLT=PALLET WH=WHITE  
 BDL=BUNDLE O/W=OR & WH  
 CRT=CRATE B=BARE  
 D=DRUM N/R=NOT REQ'D  
 BOX=BOX SP=SPECIAL

PACKING

Item	Qty	DRAWING		Part No.	Description	Total Weight	FINISH	Qty/ PKG'S	Qty of PKG'S	PKG. NO.
		NUMBER	REV.							
<b>POLE SECTIONS</b>										
1	1			MR572730110	20'-9 Top Section	825	G			
2	1			MR572730120	52'-0 Bottom Section w/ Base	2952	G			
						<b>TOTAL POLE SHAFT WEIGHT:</b>	<b>3,777</b>	<b>lbs</b>		
<b>TEMPLATE</b>										
3	1			57273-9001	ANCHOR BOLT TEMPLATE (w/ 29.25" Bolt Circle)	23	Black			
<b>MISCELLANEOUS ITEMS</b>										
4	62			C40044002	5/8"-11 X 7" STEP BOLT (GALV)	68	A-307			
5	12			C40011001	STEP BOLT ANCHOR BRACKET	2	A-36			
6	7			C30136002	6.5" X 12.5" X 0.1875PL ACCESS COVER (GALV)	33	A-36			
7	6			C30136015	4.5" X 8.5" X 0.1875PL ACCESS COVER (GALV)	14	A-36			
8	3			C30136021	8.5" X 20.5" X 0.1875PL ACCESS COVER (GALV)	30	A-36			
9	1			C30170011	TOP COVER KIT 12" TO 16"	39	A-36			
10	1			C40068001	13OZ CAN OF COLD GALV SPRAY	1	--			
11	1			CS00500	NAME PLATE	1	--			

REV	DATE	DRF	CHK	DESCRIPTION

DATE: 2-Apr-12 JOB NO: 57273  
 DRAWN BY: JKW DRAW NO: BOM-1  
 CHK'D BY: WJ PAGE: 1 of 2



CUSTOMER: City of Portland, ME  
 SITE: Munjoy Hill, ME  
 SITE NO:  
 DESC: 70.00 ft. WIRELESS MONOPOLE  
 P.O. NO:

2

PC=PIECE OR=ORANGE  
 PLT=PALLET WH=WHITE  
 BDL=BUNDLE O/W=OR & WH  
 CRT=CRATE B=BARE  
 D=DRUM N/R=NOT REQ'D  
 BOX=BOX SP=SPECIAL

**PACKING**

Item	Qty	DRAWING		Part No.	APPURTS; COLLARS; PIPES	Total Weight	FINISH	Qty/ PKG'S	Qty of PKG'S	PKG. NO.
		NUMBER	REV.							
1	3			C10119106	SIDE-ARM-MONOPOLE-6'	615				
2	3			C10900105	PIPE ANTENNA MOUNT KIT 2-3/8" X 5'-0"	66				
3	1			C10112300	TRI-COLLAR MOUNT	193				
4	1			C10112300	TRI-COLLAR MOUNT	193				
5	1			C10900105	PIPE ANTENNA MOUNT KIT 2-3/8" X 5'-0"	22				
6	3			C10119106	SIDE-ARM-MONOPOLE-6'	615				
7	3			C10900105	PIPE ANTENNA MOUNT KIT 2-3/8" X 5'-0"	66				
8	1			C10112300	TRI-COLLAR MOUNT	193				

Item	Qty	DRAWING		Part No.	PURCHASED OPTION	Total Weight	FINISH	Qty/ PKG'S	Qty of PKG'S	PKG. NO.
		NUMBER	REV.							
9	1			C30188404	SAFETY-CLIMB-SYSTEM-SELECT-KIT 100'	47				

REV	DATE	DRF	CHK	DESCRIPTION

DATE: 2-Apr-12      JOB NO: 57273  
 DRAWN BY: JKW      DRAW NO: BOM-1  
 CHK'D BY: WJ      PAGE: 2 of 2