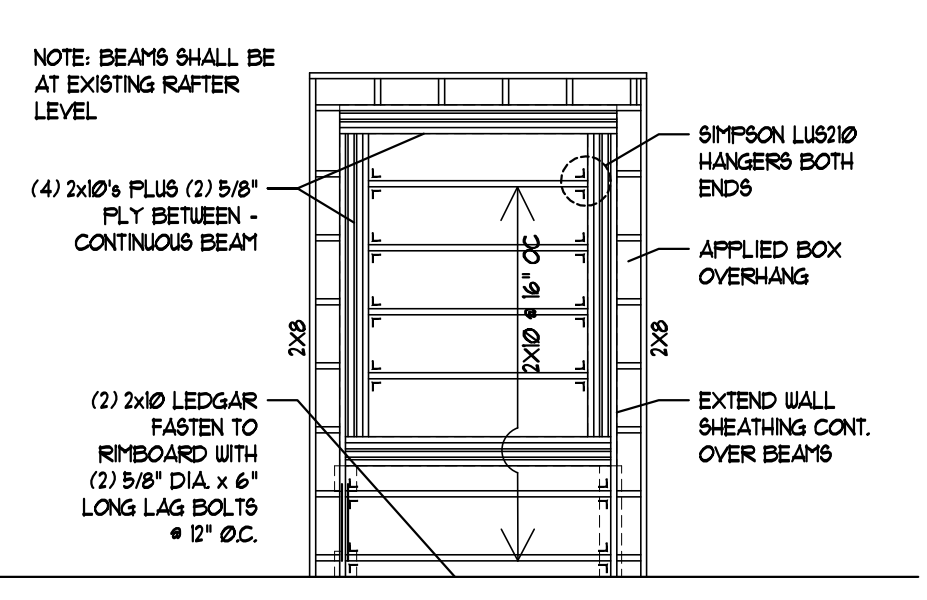
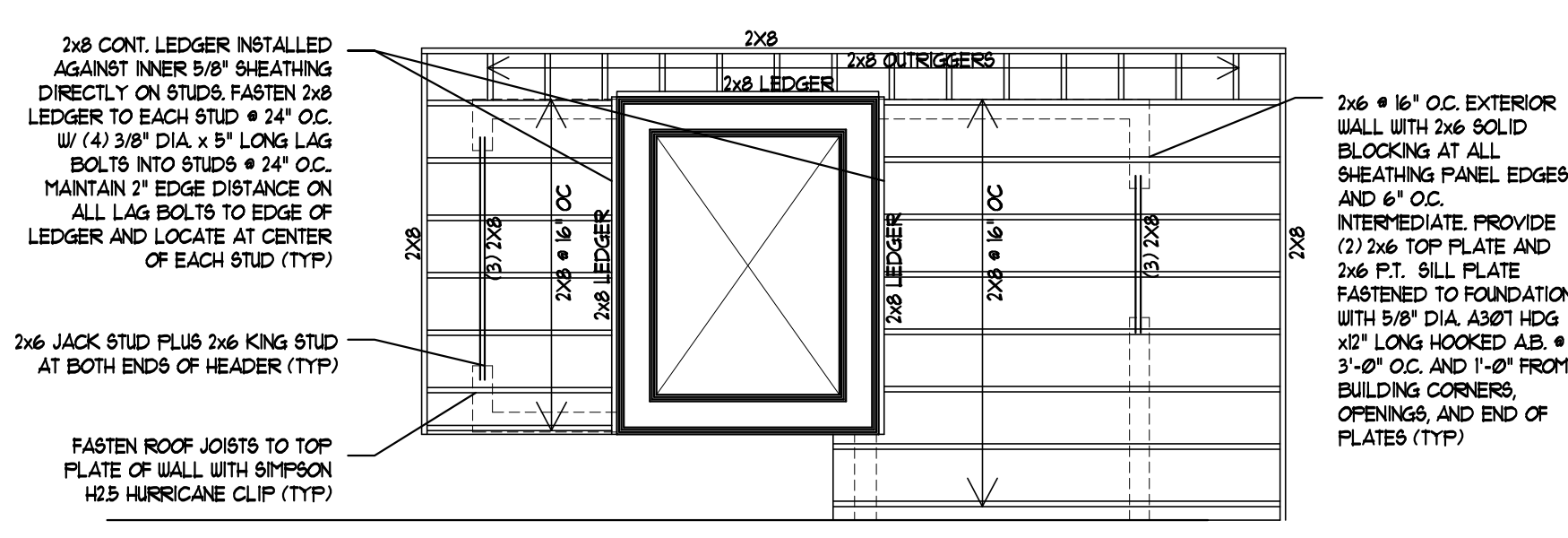


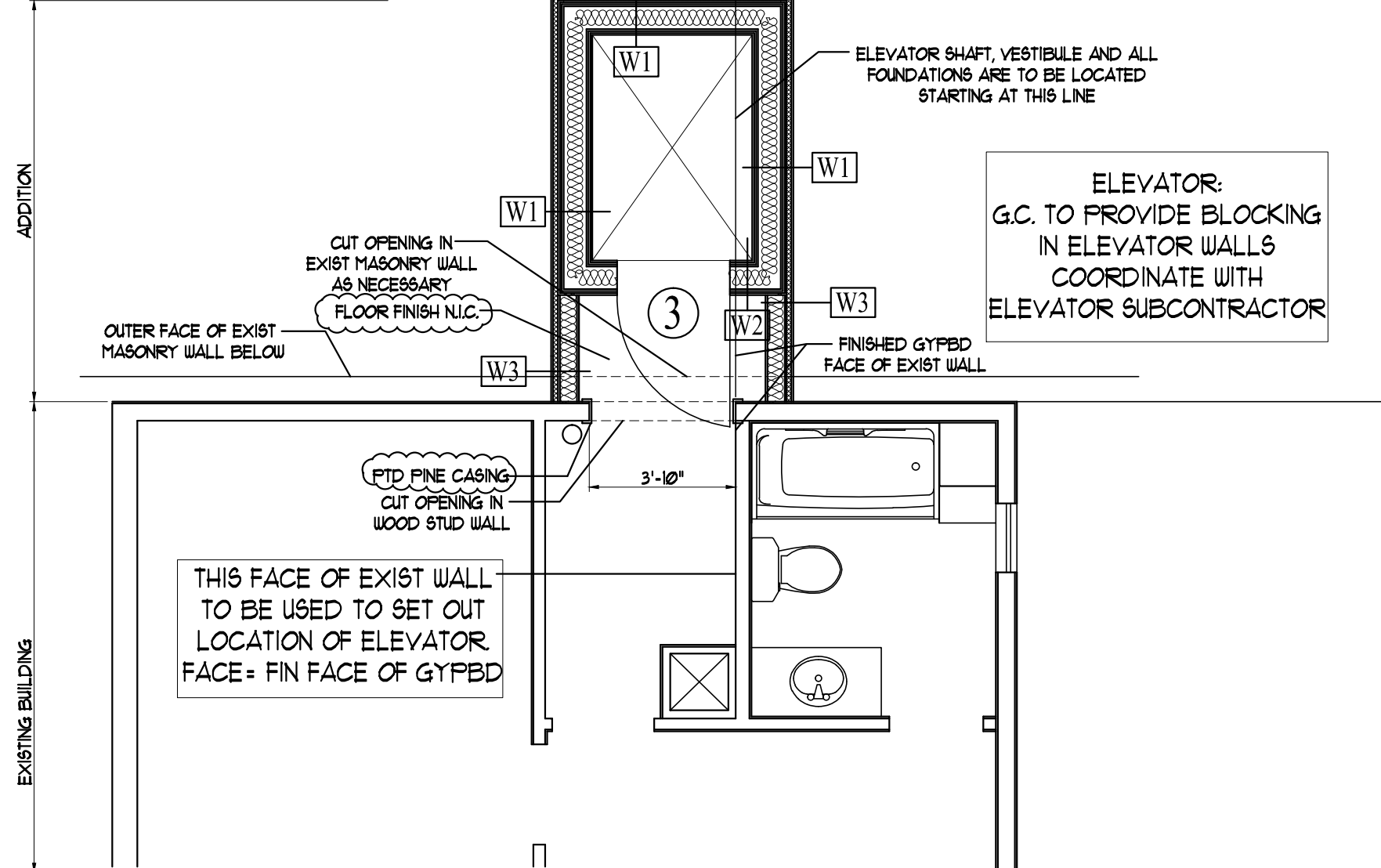
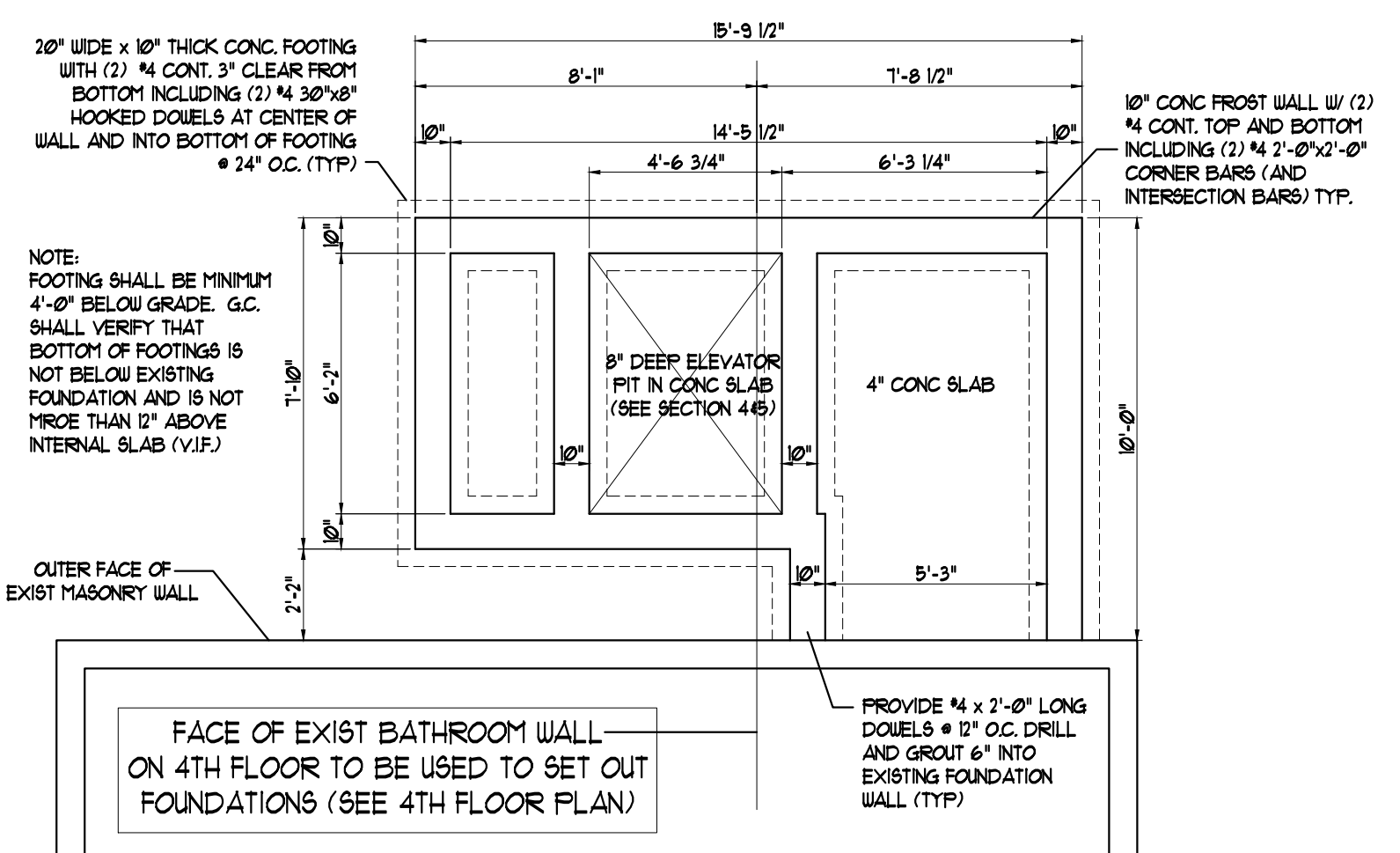
7 4TH FLOOR ROOF FRAMING PLAN
SCALE: 1/4" = 1'-0"



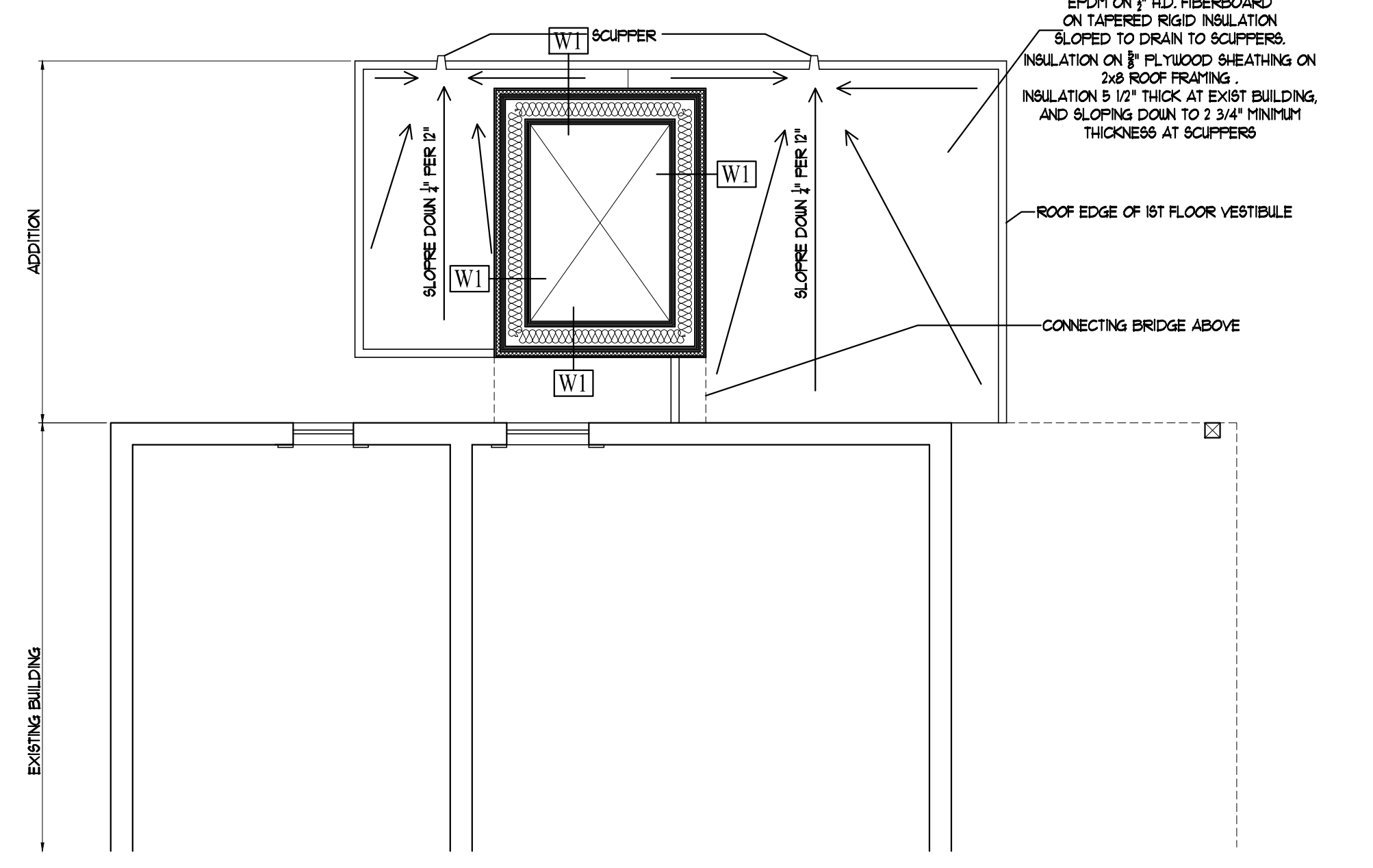
6 1ST FLOOR ROOF FRAMING PLAN
SCALE: 1/4" = 1'-0"



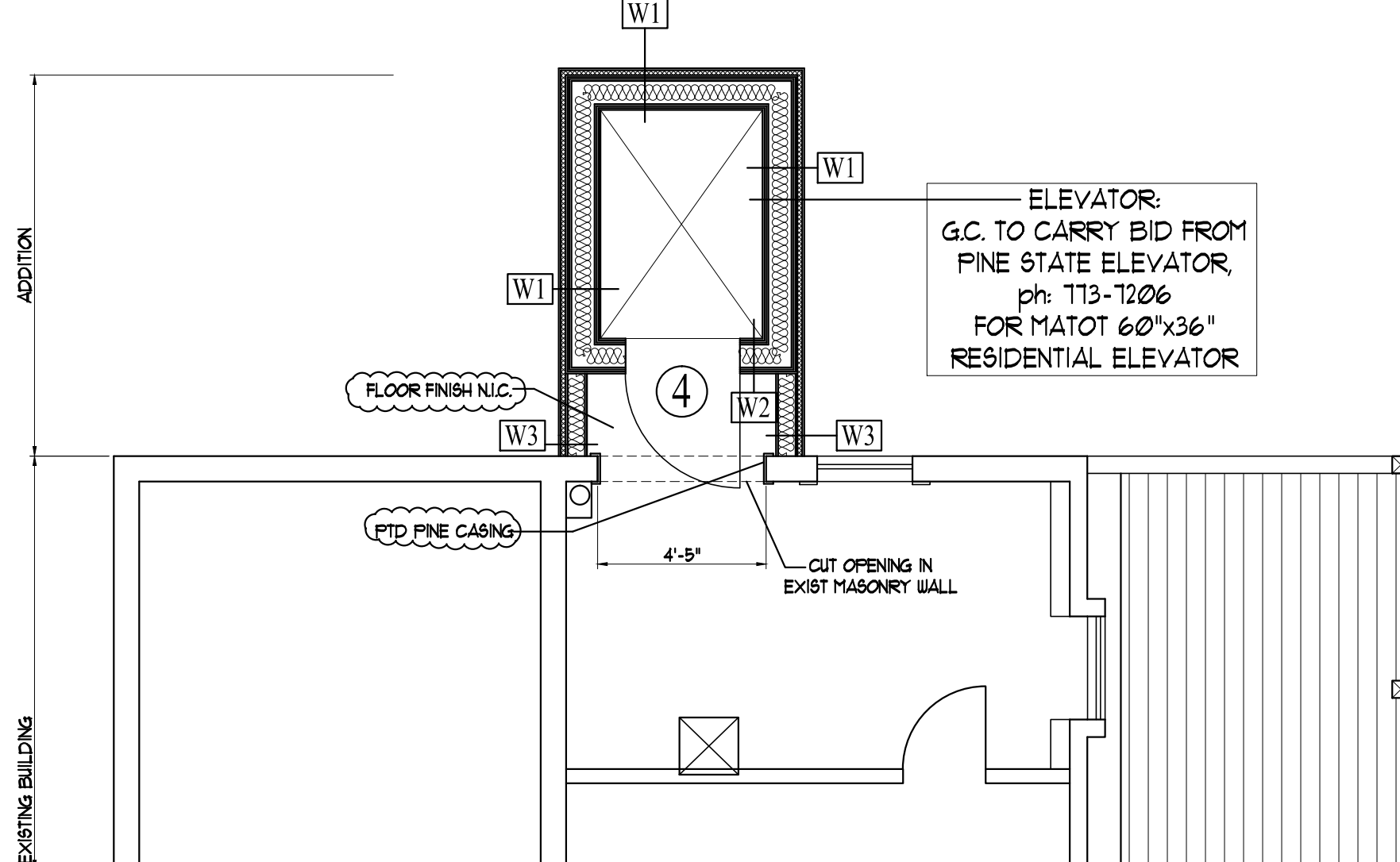
5 FOUNDATION PLAN
SCALE: 1/4" = 1'-0"



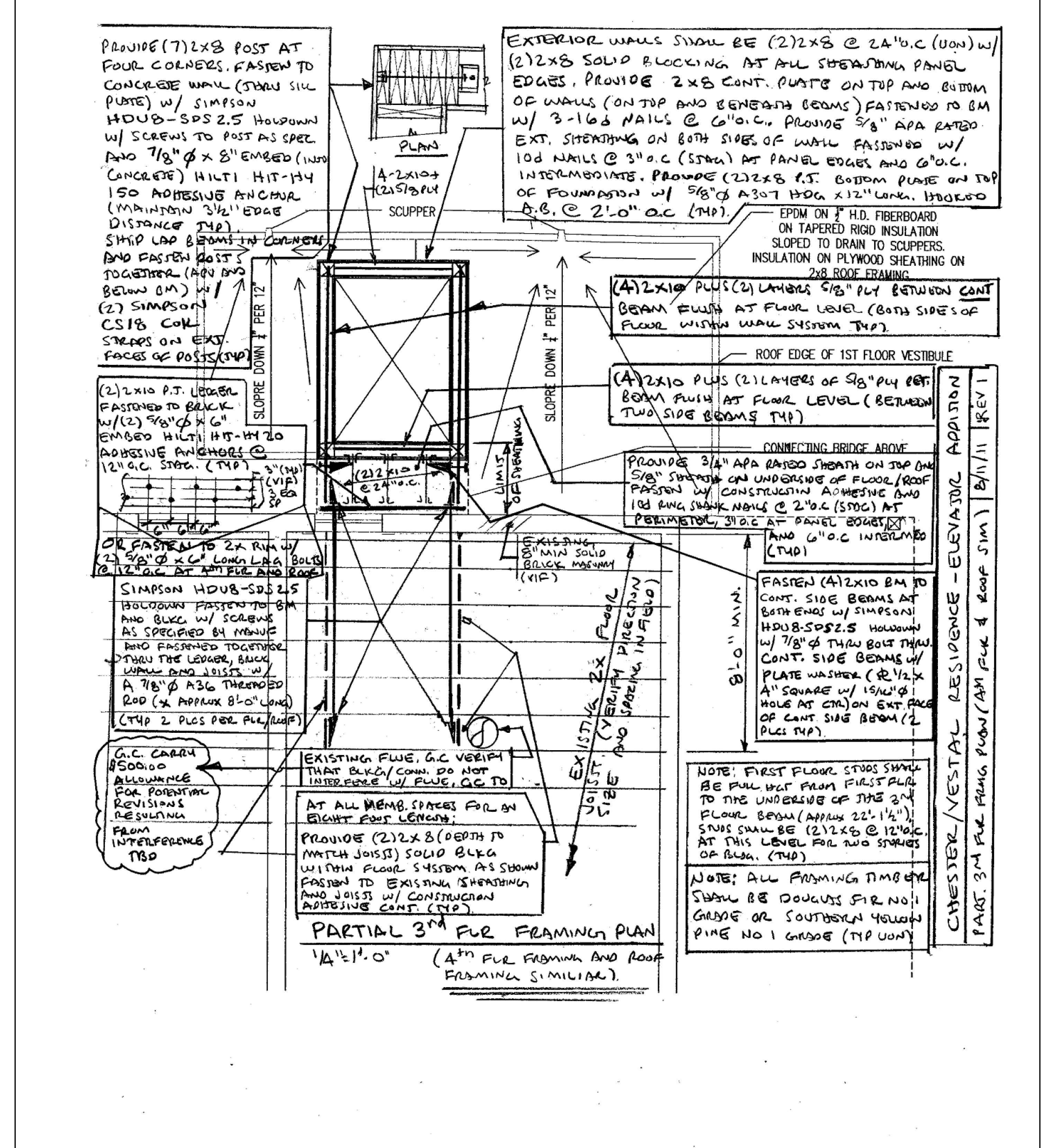
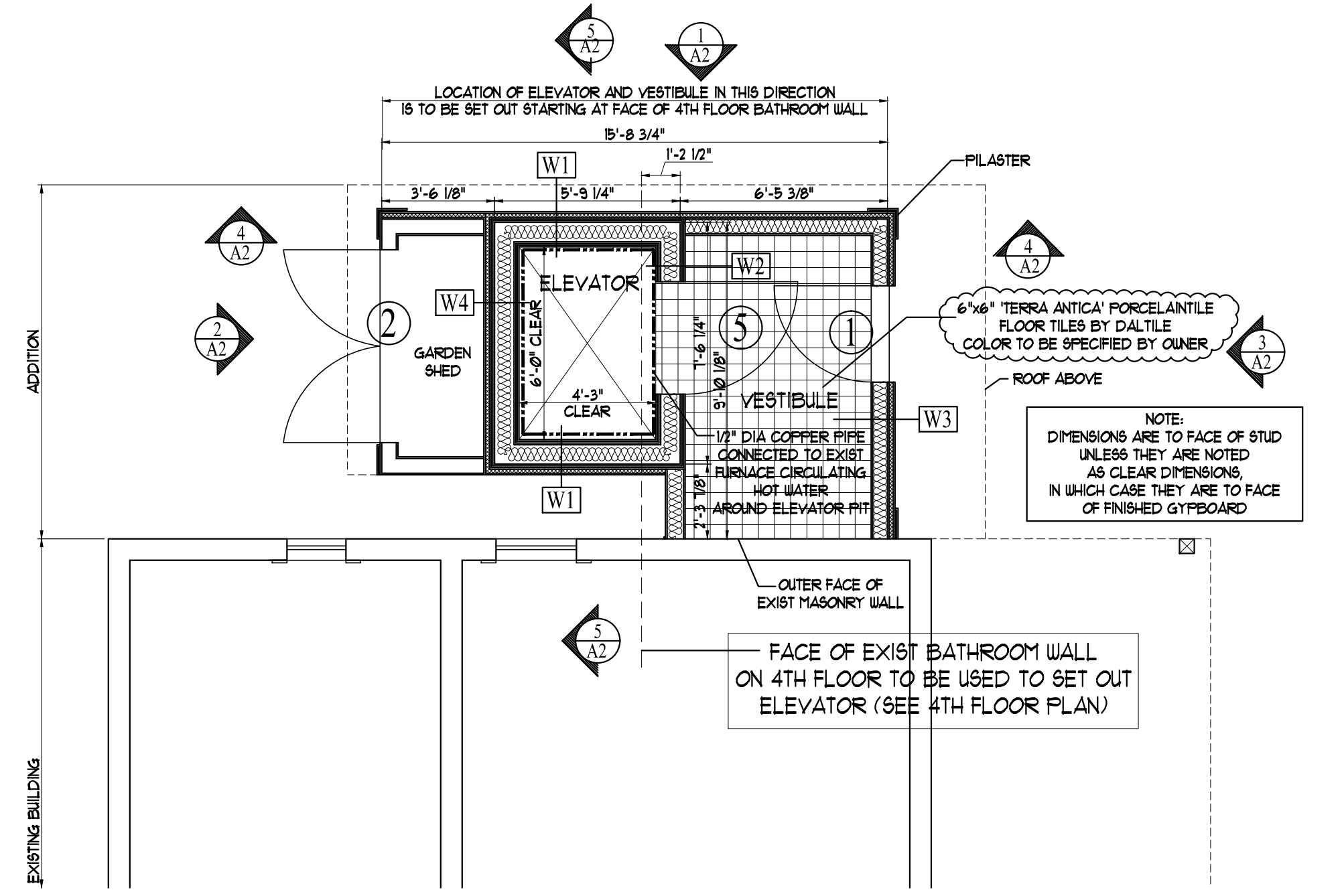
2 2nd FLOOR PLAN AND 1st FLOOR ROOF PLAN
SCALE: 1/4" = 1'-0"



3 3rd FLOOR PLAN
SCALE: 1/4" = 1'-0"



1 1st FLOOR PLAN
SCALE: 1/4" = 1'-0"



Owner: _____

Consulting Engineer: _____

Architect: **ARCHETYPE architects**
48 Union Wharf Portland, Maine 04101
(207) 772-6022 Fax (207) 772-4056

Project: **CHESTER/VESTAL RESIDENCE**
9.22.11 - Windows omitted

Scale: AS NOTED

Date: 11 AUGUST 2011

PLANS

A1