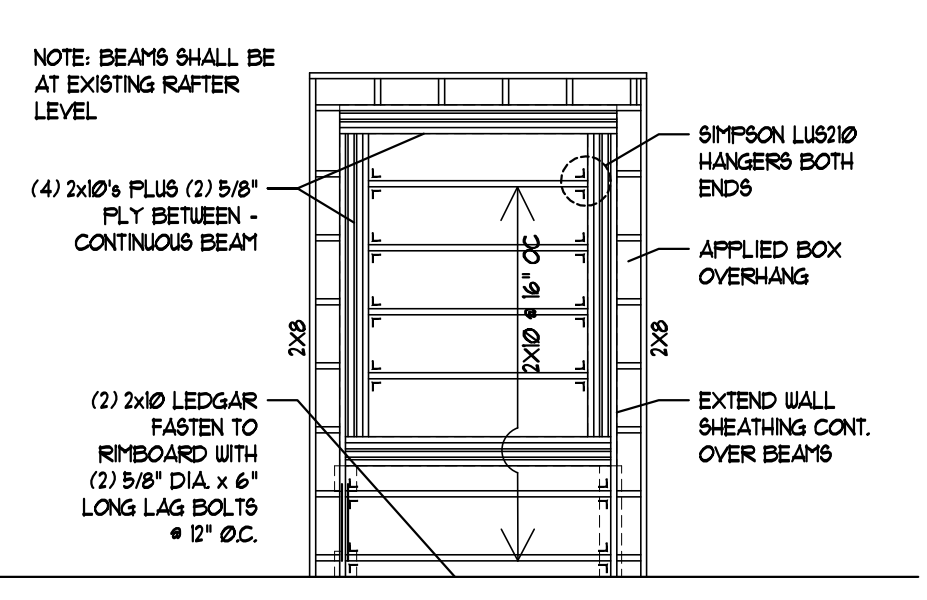
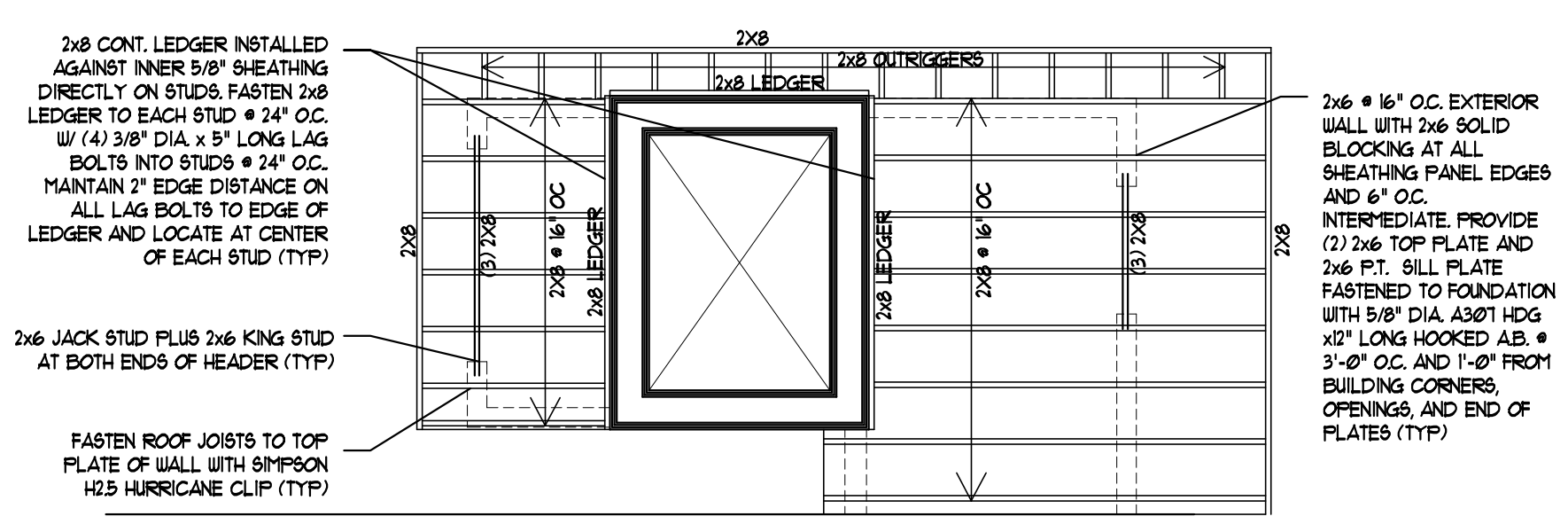


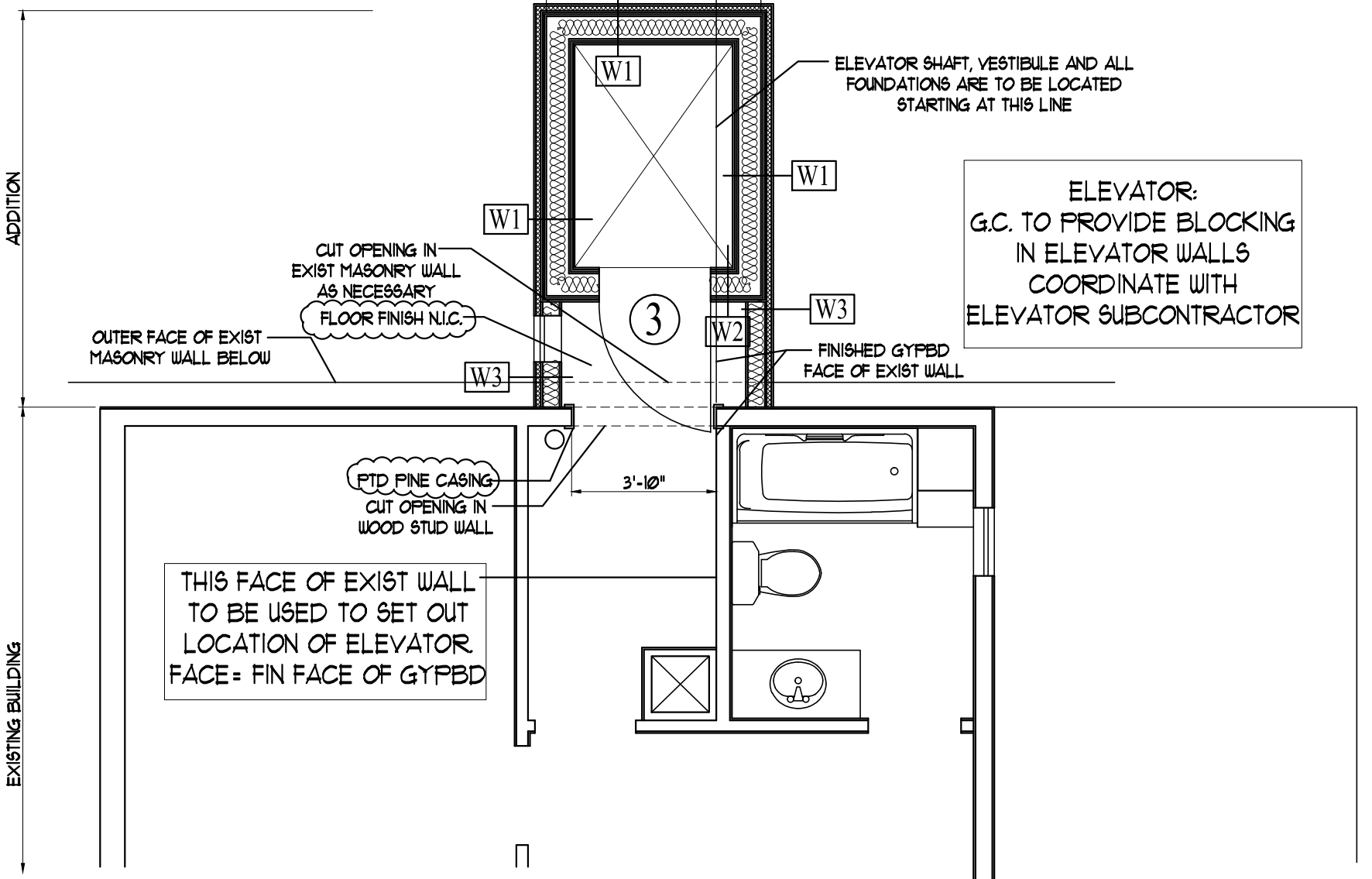
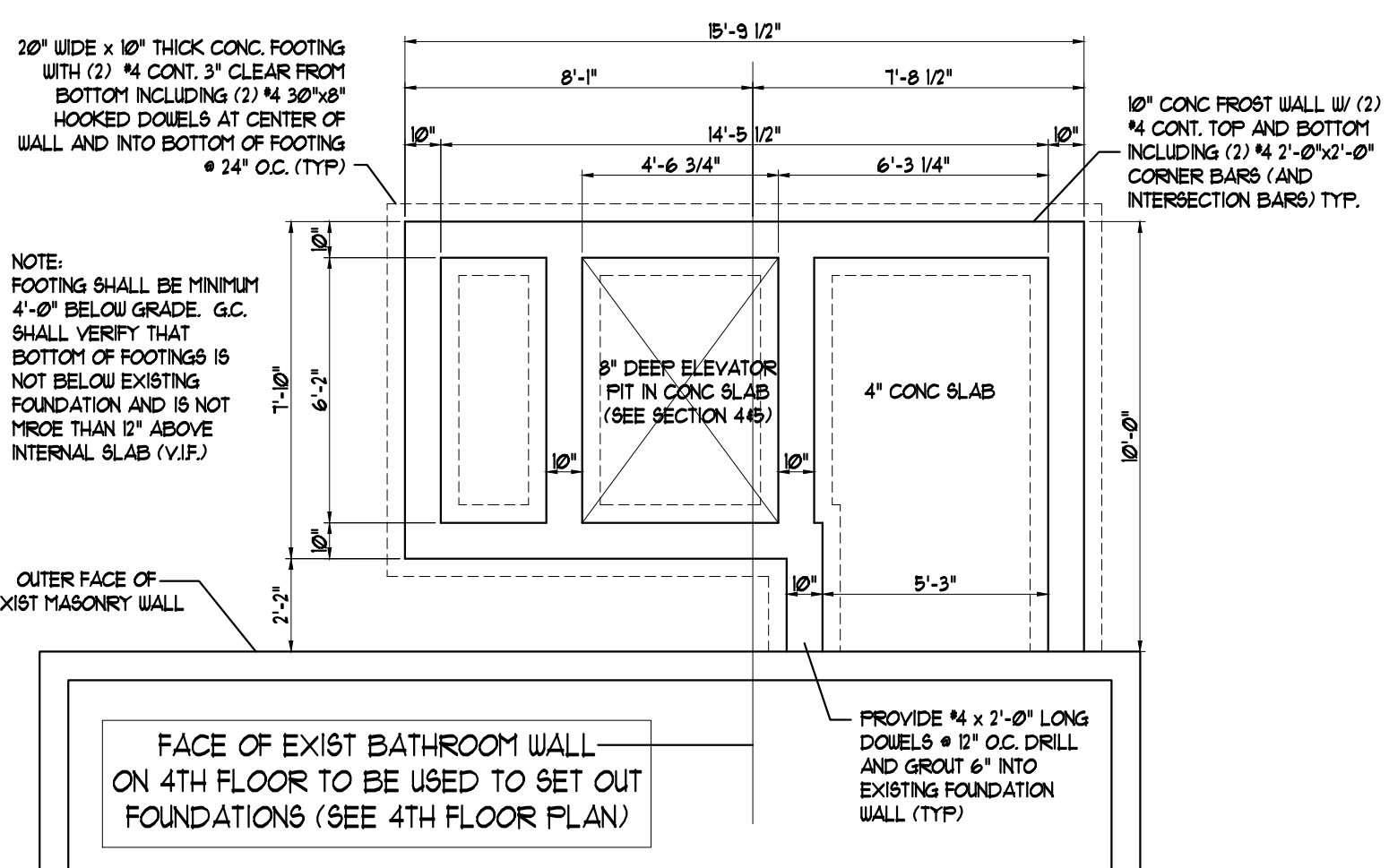
7 4TH FLOOR ROOF FRAMING PLAN
SCALE: 1/4" = 1'-0"



6 1ST FLOOR ROOF FRAMING PLAN
SCALE: 1/4" = 1'-0"

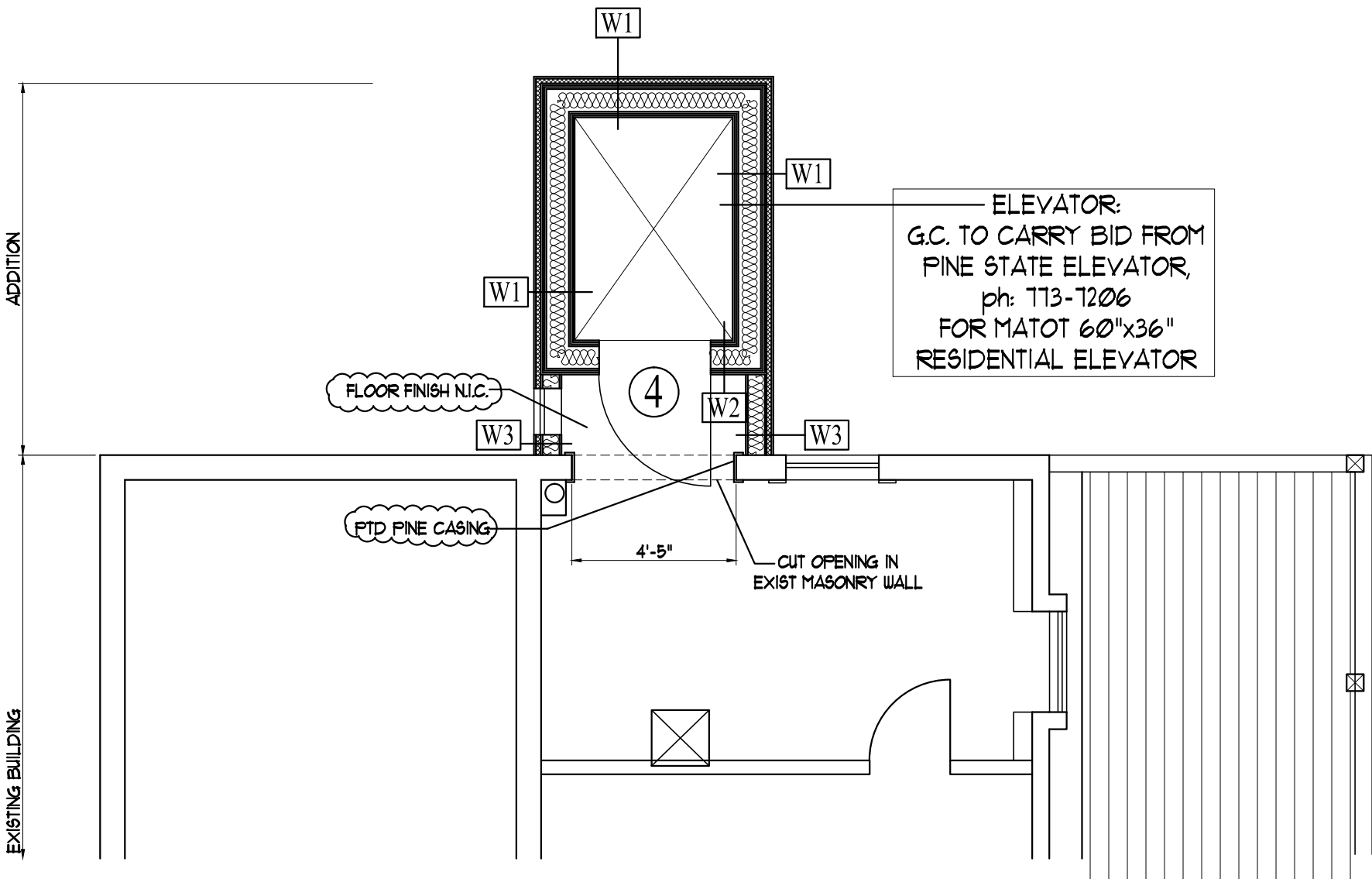
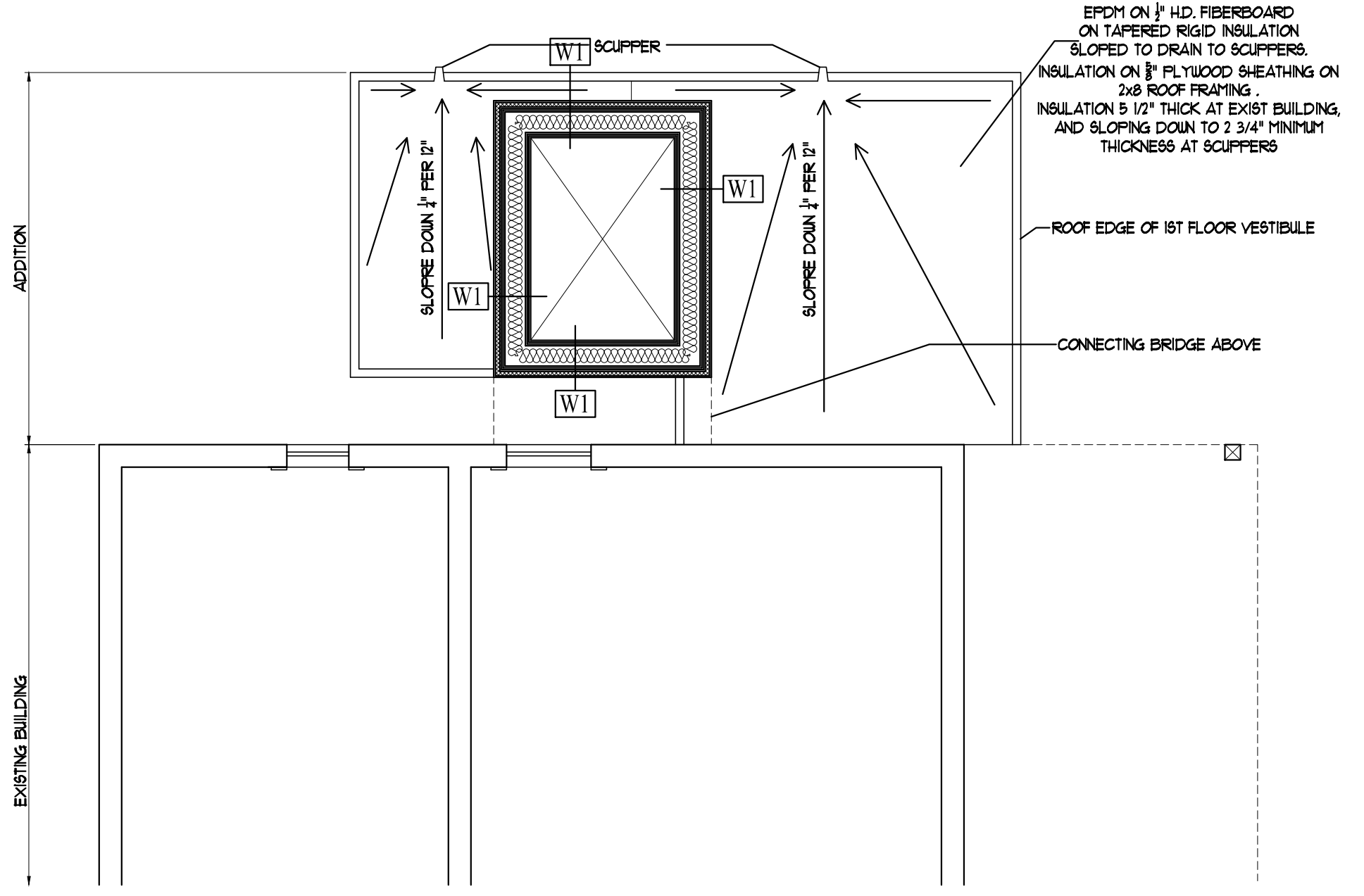


5 FOUNDATION PLAN
SCALE: 1/4" = 1'-0"

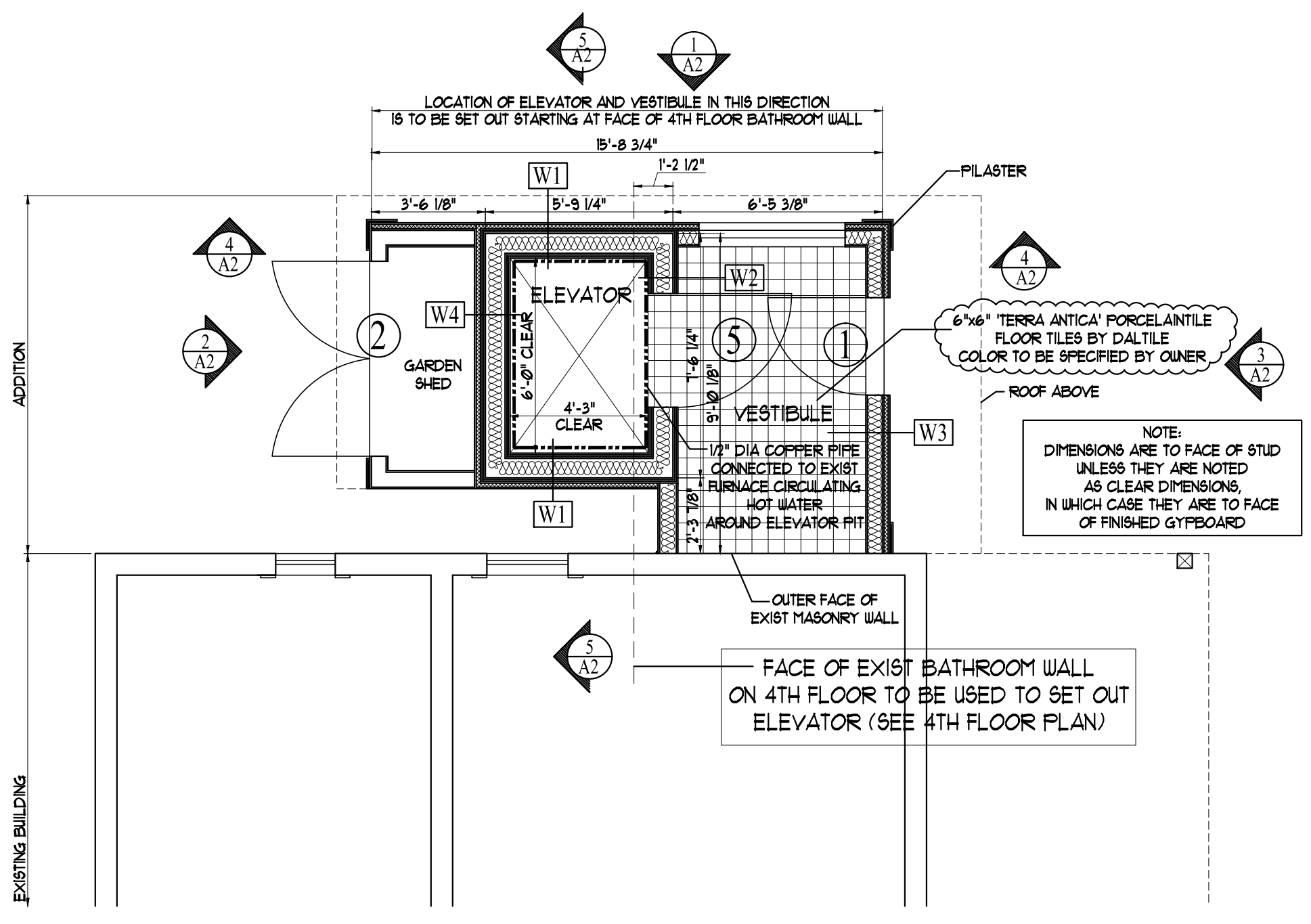


4 4th FLOOR PLAN
SCALE: 1/4" = 1'-0"

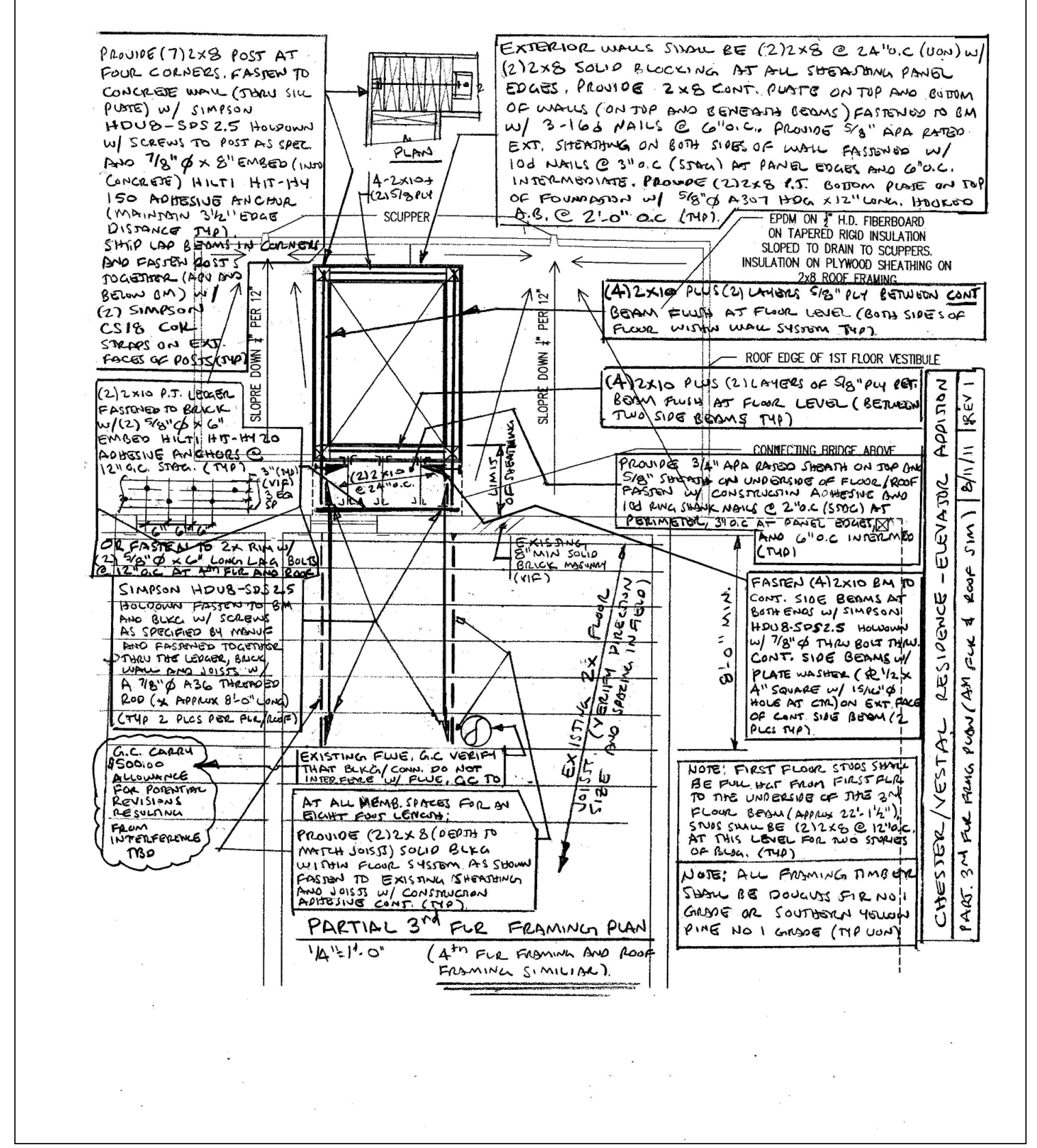
2 2nd FLOOR PLAN AND 1st FLOOR ROOF PLAN
SCALE: 1/4" = 1'-0"



3 3rd FLOOR PLAN
SCALE: 1/4" = 1'-0"



1 1st FLOOR PLAN
SCALE: 1/4" = 1'-0"



Owner:

Consulting Engineer:

Architect: **ARCHETYPE architects**
48 Union Wharf Portland, Maine 04101
(207) 772-6022 Fax (207) 772-4056

Project: **CHESTER/VESTAL RESIDENCE**
7-9 FORE STREET PORTLAND, MAINE

Revisions:

Scale: AS NOTED

Date: 11 AUGUST 2011

PLANS

A1