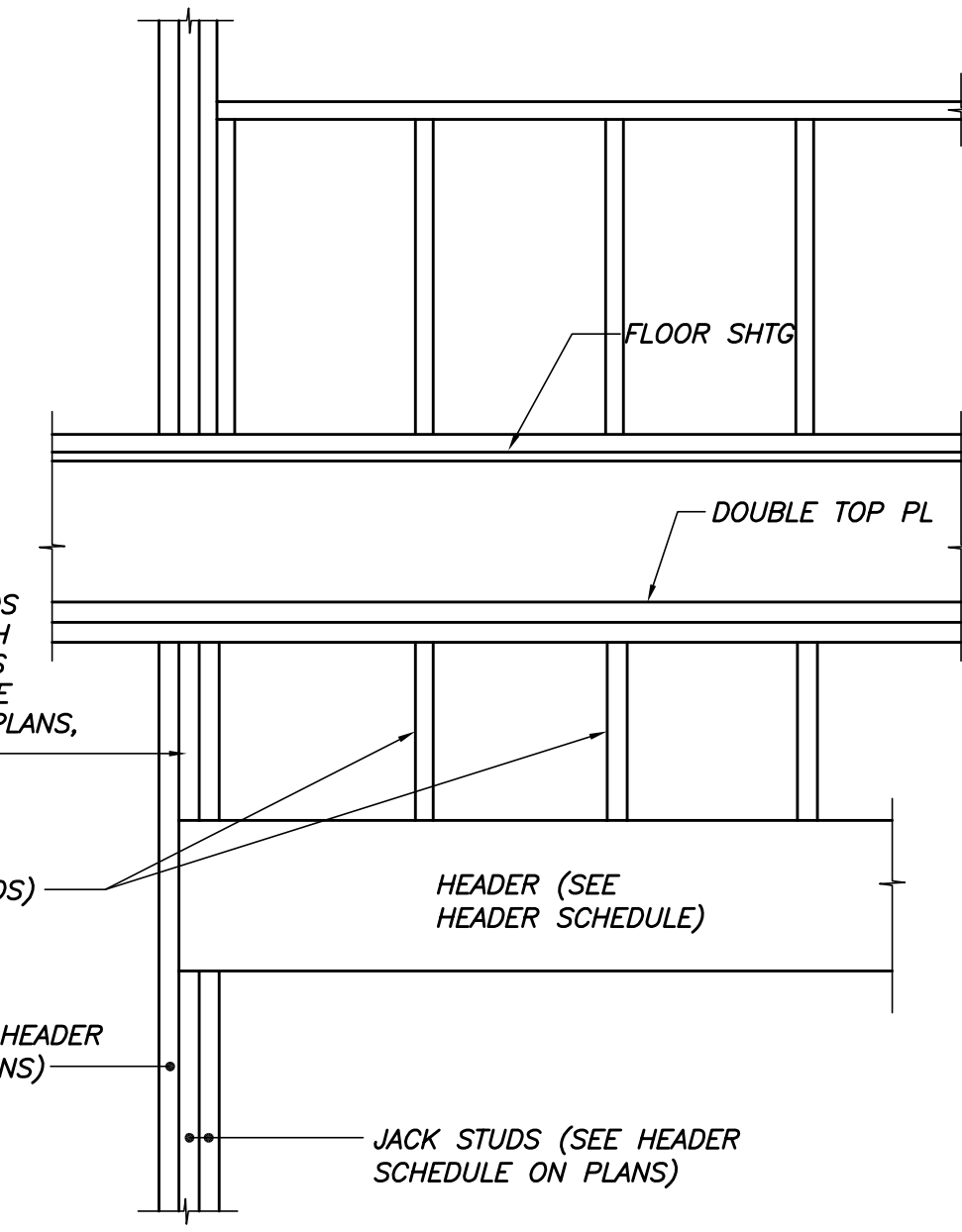


NOTE: QUANTITY OF STUDS ABOVE HEADER TO MATCH QUANTITY OF JACK STUDS SUPPORTING HEADER. SEE HEADER SCHEDULE, ON PLANS, FOR REQMTS.



TYP HEADER DETAIL
N.T.S.

NOTE: PROVIDE INSULATION WITHIN HEADERS IN EXTERIOR WALLS WHERE (2)2x OR (2) LVLs ARE SPECIFIED. COORDINATE REQUIREMENTS WITH ARCH.

SECOND FLOOR FRAMING PLAN
1/4"=1'-0"

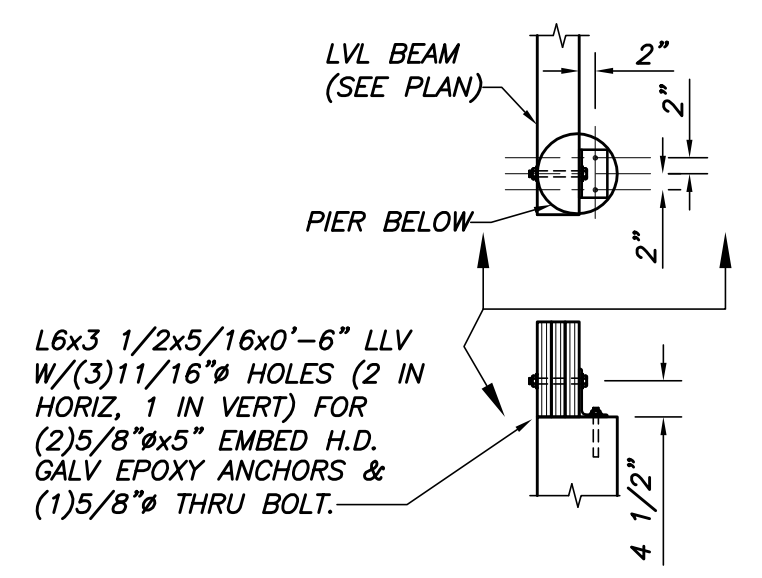
NOTES:

- INDICATES SPAN DIRECTION OF 3/4" ADVANTECH T&G FLOOR SHEATHING. SEE PLAN FOR TOP OF SHEATHING ELEVATION.
- H- INDICATES HEADER LOCATION. SEE SCHEDULE THIS DWG.
- G/C SHALL COORDINATE ELEVATOR SHAFT WALL FRAMING W/ APPROVED ELEVATOR SHOP DRAWINGS. SEE MANUFACTURER FOR RAIL ATTACHMENT.
- S.W. INDICATES SHEARWALL LOCATION. SEE SCHEDULE THIS DWG FOR ADDL INFO.
- HD- INDICATES SHEARWALL HOLDDOWN. SEE DETAIL THIS SHEET.

HEADER SCHEDULE		
MARK	SIZE	JAMB, U.N.O.
H1	(2)2x6	(3)2x6: (1)2x6 JACK & (2)2x6 KING
H2	(3)2x8	(3)2x6: (1)2x6 JACK & (2)2x6 KING
H3	(3)1 3/4x7 1/4 LVL	(4)2x6: (2)2x6 JACK & (2)2x6 KING

SHEARWALL SCHEDULE		
MARK	PANEL	EDGE NAILING PATTERN
S.W.-1	1/2" SHEATHING	8d @ 6" O.C.
S.W.-2	1/2" SHEATHING (BOTH SIDES)	8d @ 4" O.C.
S.W.-3	1/2" SHEATHING	8d @ 3" O.C.

- PROVIDE 8d @ 12" O.C. @ INTERMEDIATE PANEL SUPPORTS.
- PROVIDE STUDS & BLKG @ ALL PANEL EDGES.
- PROVIDE (2)2x6 STUDS & BLKG @ PANEL EDGES @ S.W.-2.



DETAIL
1/2"=1'-0"

Project	
Issued For	PERMIT APPLICATION - NOT FOR CONSTRUCTION
Date	07/02/12
Rev No	

TOWN HOUSE A & B
9 & 11 LAWRENCE STREET
SECOND FLOOR FRAMING PLANS

Designed	NRM	Scale	NOTED
Drawn	MSK	Date	07/02/12
Checked	NRM	Becker Job Number	2813

S1.3