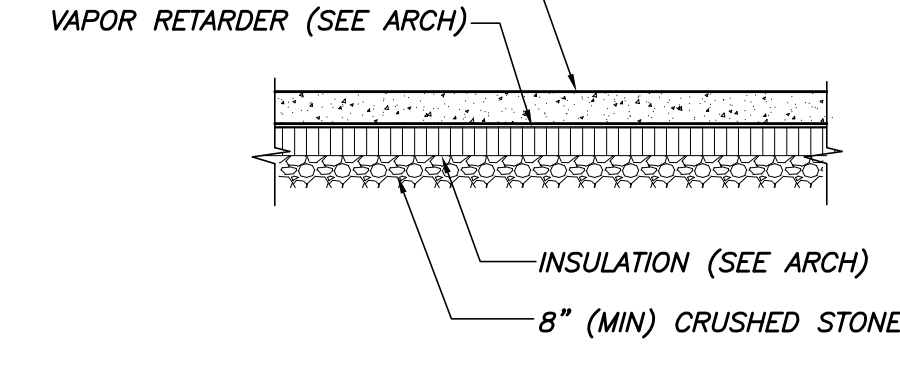
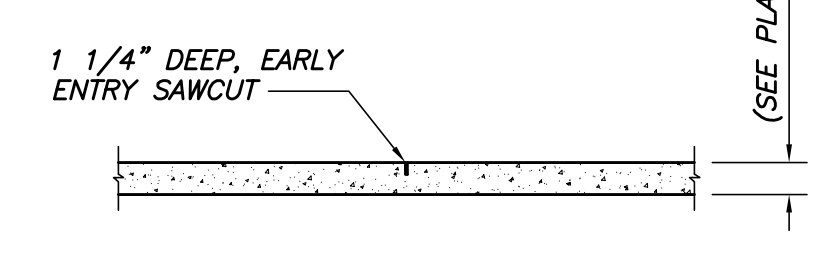


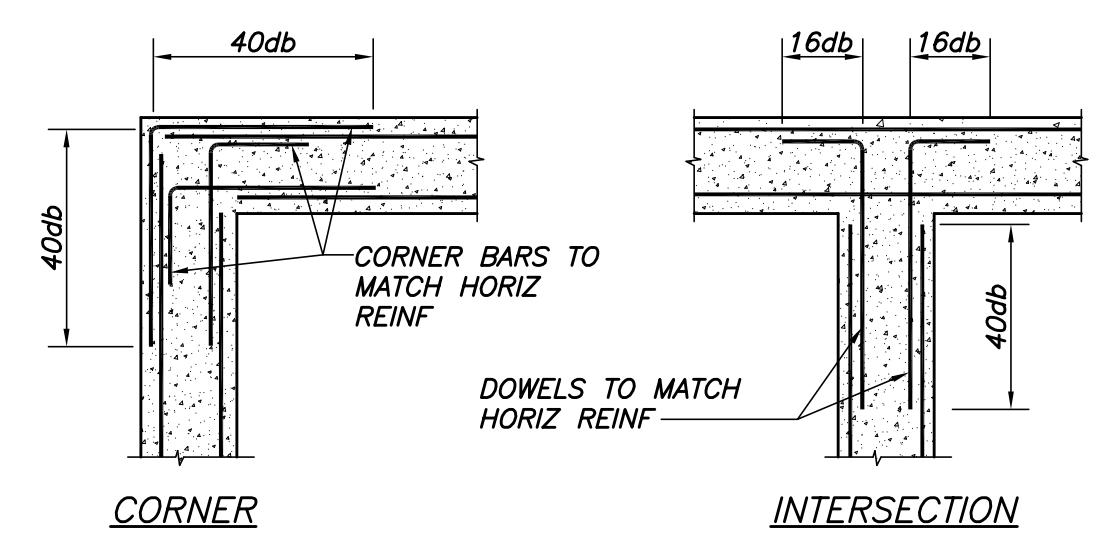
CONC SLAB ON GRADE. ALL SLABS ON GRADE ARE TO BE WET CURED PER ACI 308, LATEST EDITION



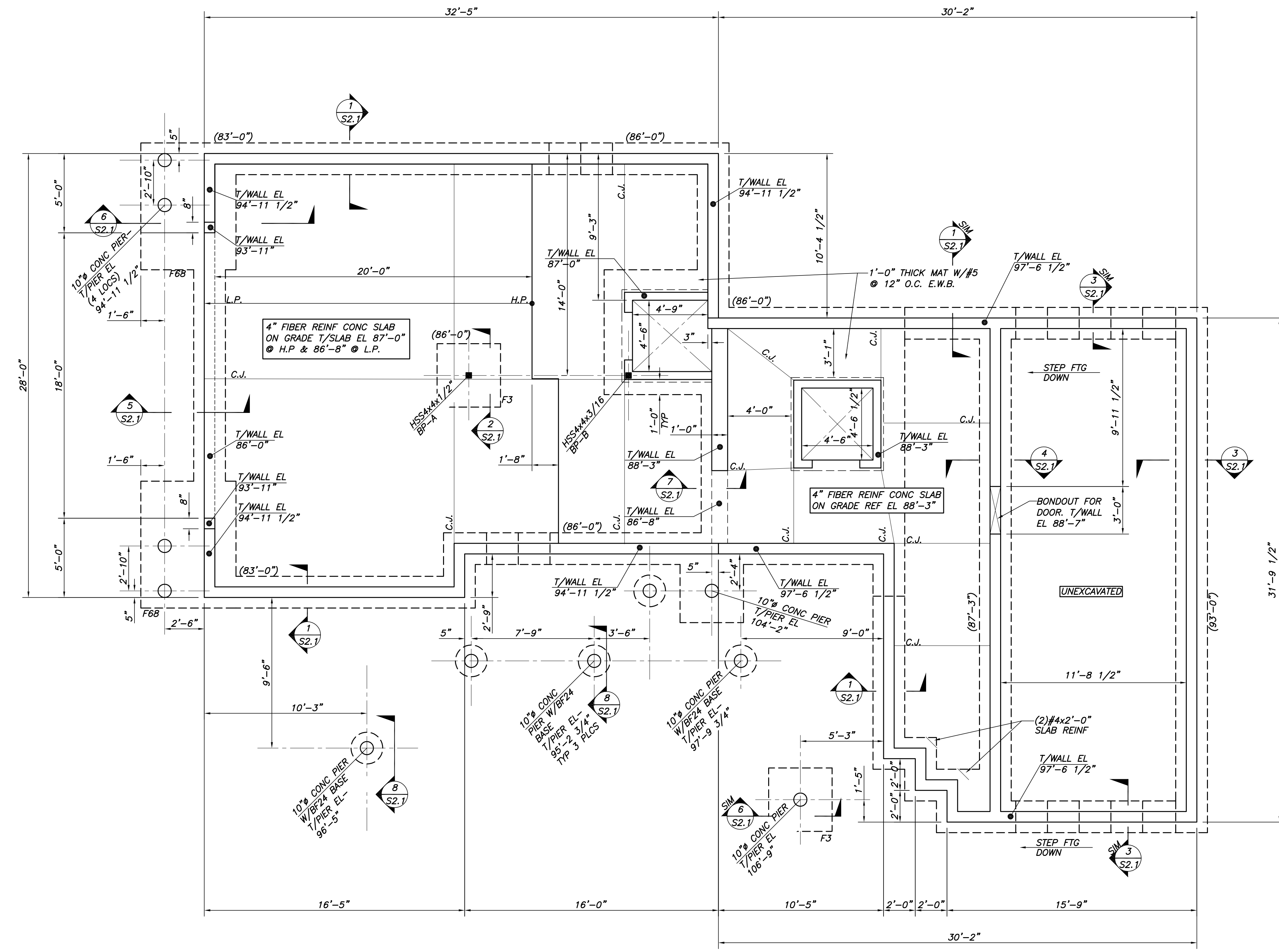
TYP SLAB DETAIL
N.T.S.



TYP SLAB ON GRADE CONTRACTION JOINT DETAIL
N.T.S.



TYP WALL REINF DETAILS
N.T.S.



FOUNDATION PLAN

1/4"=1'-0"

- NOTES:
- SEE PLAN FOR T/WALL & T/PIER ELEVATIONS.
 - (XX'-XX") INDICATES TOP OF FOOTING ELEVATION.
 - C.J. INDICATES SLAB CONTRACTION JOINT. SEE TYP DETAIL DWG S1.0.
 - BP- INDICATES BASE PLATE TYPE. SEE DWG S2.1 FOR ADDL INFO.
 - F- INDICATES ISOLATED CONCRETE SPREAD FOOTING. SEE SCHEDULE THIS DWG FOR ADDL INFO.

FOOTING SCHEDULE		
MARK	SIZE	REINF (E.W.B. U.N.O.)
F3	3'-0"x3'-0"x1'-0" THICK	4#5 E.W.B.
F68	6'-0"x8'-0"x1'-0" THICK	7#5 L.W.B. 9#5 S.W.B.

G/C NOTE:
SHORE AND/OR STABILIZE EXISTING STONE
RETAINING WALL AS REQ'D PRIOR TO EXCAVATION

Approved	
Issued For	PERMIT APPLICATION- NOT FOR CONSTRUCTION
Date	07/02/12
Rev. No	

TOWN HOUSE A & B
9 & 11 LAWRENCE STREET
FOUNDATION PLANS

Designed	NRM	Scale	NOTED
Drawn	MSK	Date	07/02/12
Checked	NRM	Becker Job Number	2813