

**GENERAL NOTES**

- THE FOLLOWING NOTES ARE INTENDED TO BE USED AS OUTLINED SPECIFICATIONS FOR THIS PROJECT. THE REFERENCED STANDARDS ARE CONSIDERED TO BE PART OF THE WORK.
- STRUCTURAL DRAWINGS SHALL BE USED IN CONJUNCTION WITH ARCHITECTURAL AND SITE DRAWINGS. CONSULT THESE DRAWINGS FOR LOCATIONS AND DIMENSIONS OF OPENINGS, CHASES, INSERTS, REGLETS, SLEEVES, DEPRESSIONS, AND OTHER DETAILS NOT SHOWN ON STRUCTURAL DRAWINGS.
- ALL DIMENSIONS AND CONDITIONS MUST BE VERIFIED IN THE FIELD. ANY DISCREPANCIES SHALL BE BROUGHT TO THE ATTENTION OF THE STRUCTURAL ENGINEER BEFORE PROCEEDING WITH THE AFFECTED PART OF THE WORK.
- THE STRUCTURE IS DESIGNED TO BE SELF SUPPORTING AND STABLE ONLY AFTER THE STRUCTURAL WORK CONTAINED IN THE STRUCTURAL DRAWINGS IS COMPLETED. IT IS THE CONTRACTOR'S SOLE RESPONSIBILITY TO DETERMINE ERECTION PROCEDURES AND SEQUENCE TO ENSURE THE SAFETY OF THE BUILDING AND ITS COMPONENTS DURING ERECTION. THIS INCLUDES THE ADDITION OF NECESSARY SHORING, SHEETING, TEMPORARY BRACING, BAYS OR TIEDOWNS. SUCH MATERIAL SHALL REMAIN THE PROPERTY OF THE CONTRACTOR AFTER COMPLETION OF THE PROJECT.
- SECTIONS AND DETAILS SHOWN ON ANY STRUCTURAL DRAWINGS SHALL BE CONSIDERED TYPICAL FOR SIMILAR CONDITIONS AS DETERMINED BY THE STRUCTURAL ENGINEER.
- ALL APPLICABLE FEDERAL, STATE, AND MUNICIPAL REGULATIONS SHALL BE FOLLOWED, INCLUDING THE FEDERAL DEPARTMENT OF LABOR OCCUPATIONAL SAFETY AND HEALTH ACT (OSHA).
- PROVIDE AND INSTALL NECESSARY MATERIAL TO CONNECT ELEVATOR SUPPORT BEAMS AND GUIDE RAILS. LOCATION AND SIZE OF MEMBERS AND ANY INSERTS REQUIRED SHALL BE DETERMINED BY THE ELEVATOR MANUFACTURER.

**DESIGN LOADS**

- BUILDING CODE: MAINE UNIFORM BUILDING AND ENERGY CODE, INTERNATIONAL RESIDENTIAL CODE, 2009 EDITION ASCE 7-05 MINIMUM DESIGN LOADS FOR BUILDINGS AND OTHER STRUCTURES.
- DESIGN FLOOR LIVE LOADS:  
UNINHABITABLE ATTICS W/ LIGHT STORAGE 20 PSF  
SLEEPING ROOMS 30 PSF  
ALL OTHER AREAS 40 PSF
- DESIGN ROOF SNOW LOAD:  
GROUND SNOW LOAD (Pg) 60 PSF  
SNOW EXPOSURE FACTOR (Ce) 1.0  
SNOW LOAD IMPORTANCE FACTOR (Is) 1.0  
SNOW LOAD THERMAL FACTOR (Ct) 1.1  
FLAT ROOF SNOW LOAD (Pt) 46 PSF + DRIFT
- DESIGN WIND LOAD:  
BASIC WIND SPEED: 100 MPH  
WIND LOAD IMPORTANCE FACTOR (Iw) 1.0  
WIND EXPOSURE: B  
INTERNAL PRESSURE COEFFICIENT: ±0.18  
COMPONENTS & CLADDING LOADS PER ASCE 7-05

**FOUNDATION NOTES (SOIL SUPPORTED)**

- FOUNDATION DESIGN IS BASED ON SHALLOW SPREAD FOOTINGS BEARING ON SUITABLE UNDISTURBED NATIVE SOILS AND/OR NEW COMPACTED STRUCTURAL FILL EXTENDING TO UNDISTURBED NATIVE SOIL.
- IT IS THE CONTRACTOR'S SOLE RESPONSIBILITY TO VERIFY EXISTING SOIL CONDITIONS AND TO BRING ANY DISCREPANCIES TO THE ATTENTION OF THE STRUCTURAL ENGINEER PRIOR TO COMMENCING PLACEMENT OF FOUNDATIONS.
- PRESUMPTIVE BEARING CAPACITY OF 3000 PSF.
- EXTEND BOTTOM OF EXTERIOR FOOTINGS AT LEAST 4'-6" FEET BELOW THE FINAL EXTERIOR GRADE FOR PROTECTION AGAINST FROST.
- ALL PAVEMENT, EXISTING FOUNDATIONS AND UNCONTROLLED GRANULAR FILL SHALL BE REMOVED FROM THE AREA OF THE PLANNED FOUNDATION TO AT LEAST 4 FEET BEYOND THE FOOTING LIMIT.
- COMPACTED STRUCTURAL FILL SHALL BE USED TO BACKFILL TO THE DESIGN FOOTING SUBGRADE AND BENEATH ALL SLABS ON GRADE. STRUCTURAL FILL SHALL BE A CLEAN SAND-GRAVEL MIXTURE MEETING THE FOLLOWING GRADATION:  

SCREEN OR SIEVE SIZE	PERCENT PASSING
6 INCH	100
3 INCH	90-100
1/4 INCH	25-90
No. 40	0-30
No. 200	0-5
- STRUCTURAL FILL SHALL BE PLACED IN UNIFORM LIFTS NOT EXCEEDING 8 INCHES IN LOOSE THICKNESS AND SHALL BE COMPACTED TO 95 PERCENT OF MAXIMUM DRY DENSITY PER ASTM D1557, MODIFIED PROCTOR TEST. COMPACT ADJACENT TO FOUNDATION WALLS SUPPORTING UNBALANCED FILL (RETAINING WALLS) TO 94 TO 96 PERCENT OF MAXIMUM DRY DENSITY PER ASTM D1557. HAND OPERATED EQUIPMENT SHALL BE USED FOR COMPACTION WITHIN 8 FEET OF NEW FOUNDATION WALL.
- NO BACKFILL SHALL BE PLACED AGAINST FOUNDATION WALLS RETAINING EARTH, UNLESS WALLS ARE ADEQUATELY BRACED TO PREVENT MOVEMENT OR STRUCTURAL DAMAGE.
- PROVIDE PVC DRAINPIPE AROUND THE PERIMETER OF THE STRUCTURE. LOCATE AT THE BOTTOM OF THE FOUNDATION WALLS AND PROVIDE POSITIVE GRAVITY FLOW TO PROPERLY DESIGNED OUTLET. REFER TO SITE DRAWINGS FOR ADDITIONAL INFORMATION.
- SOILS EXPOSED AT THE BASE OF ALL SATISFACTORY FOUNDATION EXCAVATIONS SHALL BE PROTECTED AGAINST ANY DETRIMENTAL CHANGE IN CONDITION, SUCH AS DISTURBANCE FROM RAIN OR FROST. SURFACE RUNOFF SHALL BE DRAINED AWAY FROM THE EXCAVATIONS. WALLS SHALL BE ADEQUATELY PROTECTED FROM RAINFALL OR FREEZING CONDITIONS. GROUNDWATER SHALL BE ANTICIPATED FOR EXCAVATIONS AND APPROPRIATE DEWATERING MEASURES SHALL BE EMPLOYED.
- SLOPE FOOTING EXCAVATIONS AS REQUIRED FOR STABILITY AND SAFETY IN ACCORDANCE WITH OSHA REQUIREMENTS. PROVIDE SHEETING OR SHORING IN ACCORDANCE WITH OSHA GUIDELINES. BRACED EXCAVATIONS SHALL BE DESIGNED BY A PROFESSIONAL ENGINEER REGISTERED IN THE STATE OF MAINE.

BAR SIZE	LAP LENGTH	
	3,000 PSI	5,000 PSI
#3	30"	24"
#4	36"	32"
#5	48"	42"

**CONCRETE NOTES**

- CONCRETE WORK SHALL CONFORM TO "BUILDING CODE REQUIREMENTS FOR REINFORCED CONCRETE (ACI 318 LATEST)," AND "SPECIFICATIONS FOR STRUCTURAL CONCRETE (ACI 301-LATEST)". THESE PUBLICATIONS ARE AVAILABLE THROUGH THE AMERICAN CONCRETE INSTITUTE (248) 848-3800.
- CONCRETE SHALL BE CONTROLLED CONCRETE, PROPORTIONED, MIXED, AND PLACED IN ACCORDANCE WITH THE PROVISIONS SET FORTH IN ACI 318-LATEST.
- CONCRETE MIX DESIGN:**  
FOOTINGS AND FOUNDATION WALLS:  
A. STRENGTH: 3000 PSI @ 28 DAYS  
B. AGGREGATE: 1 1/2"  
C. W/C RATIO: 0.55 MAX  
D. ENTRAINED AIR: 5% TO 7%  
E. SLUMP: 4" MAX  
INTERIOR SLABS ON GRADE:  
A. STRENGTH: 3000 PSI @ 28 DAYS  
B. AGGREGATE: 1 1/2"  
C. W/C RATIO: 0.55 MAX  
D. ENTRAINED AIR ONLY (NO ENTRAINMENT)  
E. SLUMP: 4" MAX  
**NOTE:**  
A. ADD AIR ENTRAINING ADMIXTURE AT MANUFACTURER'S PRESCRIBED RATE TO RESULT IN CONCRETE AT POINT OF PLACEMENT HAVING THE ABOVE NOTED AIR CONTENT.  
B. ADDITIONAL SLUMP MAY BE ACHIEVED BY THE ADDITION OF A MIDRANGE OR HIGH RANGE WATER REDUCING ADMIXTURE. MAXIMUM SLUMP AFTER ADDITION OF ADMIXTURE SHALL BE 6 INCHES AND 8 INCHES RESPECTIVELY.
- ADJUSTMENT TO CONCRETE MIXES: MIX ADJUSTMENTS MAY BE REQUESTED BY THE CONTRACTOR, WHEN CHARACTERISTICS OF THE MATERIALS, JOB CONDITIONS, WEATHER OR OTHER CIRCUMSTANCES WARRANT, AT NO ADDITIONAL COST TO THE OWNER AS ACCEPTED BY THE ARCHITECT. LABORATORY TEST DATA FOR THE REVISED MIX DESIGN AND STRENGTH DATA MUST BE SUBMITTED AND ACCEPTED BY THE ARCHITECT BEFORE INCORPORATING INTO THE WORK.  
**NOTE:**  
A. WATER MAY BE ADDED AT THE PROJECT ONLY IF THE MAXIMUM SPECIFIED WATER-CEMENT RATIO AND SLUMP ARE NOT EXCEEDED. CONTRACTOR SHALL HAVE BATCH TICKET INDICATING WATER AND CEMENT MIXED IN THE PLANT, AND SHALL RECORD THE WATER ADDED AS EVIDENCE THAT THE WATER-CEMENT RATIO HAS NOT BEEN EXCEEDED.  
B. ADDITIONAL DOSES OF SUPER PLASTICIZER SHOULD BE USED WHEN DELAYS OCCUR AND REQUIRED SLUMP HAS NOT BEEN MAINTAINED. A MAXIMUM OF TWO ADDITIONAL DOSAGES ARE PERMITTED PER ACI 212.3R RECOMMENDATIONS.
- CONCRETE MIXING:  
A. JOB-SITE MIXING OF CONCRETE WILL NOT BE PERMITTED.  
B. READY-MIX CONCRETE MUST COMPLY WITH THE REQUIREMENTS OF ASTM C94, AND AS SPECIFIED HEREIN. PROVIDE BATCH TICKET FOR EACH BATCH DISCHARGED AND USED IN WORK, INDICATING PROJECT NAME, MIX TYPE, MIX TIME, BATCH QUANTITY, AND PROPORTIONS OF INGREDIENTS.
- CONCRETE SHALL NOT BE PLACED IN WATER OR ON FROZEN GROUND.
- PROVIDE PVC SLEEVES WHERE PIPES PASS THROUGH EXTERIOR CONCRETE OR SLABS CAST ON GRADE. ADJACENT SLEEVES SHALL BE SPACED A MINIMUM OF THREE DIAMETERS APART. NO PENETRATIONS SHALL BE MADE THROUGH FOOTINGS WITHOUT WRITTEN PERMISSION FROM ENGINEER.
- REINFORCING BARS SHALL CONFORM TO ASTM A615 GRADE 60 DEFORMED BARS AND SHALL BE DETAILED, FABRICATED AND PLACED IN ACCORDANCE WITH ACI 315, LATEST EDITION.
- FIBER REINFORCEMENT SHALL BE TYPE II SYNTHETIC VIRGIN HOMOPOLYMER POLYPROPYLENE FIBERS CONFORMING TO ASTM C1116.
- COMPLETE SHOP DRAWINGS AND SCHEDULES OF ALL REINFORCING STEEL SHALL BE PREPARED BY THE CONTRACTOR AND SUBMITTED TO THE STRUCTURAL ENGINEER FOR REVIEW. PROVIDE AND SCHEDULE ON THE SHOP DRAWINGS ALL NECESSARY ACCESSORIES TO HOLD REINFORCEMENT SECURELY IN POSITION. MINIMUM REQUIREMENTS SHALL BE: HIGH CHAIRS AT 4'-0" O.C. WITH CONTINUOUS # 5 SUPPORT BARS; SLAB BOLSTERS, CONTINUOUS AND 3'-6" O.C.; BEAM BOLSTERS AT 5'-0" O.C.
- MINIMUM CONCRETE PROTECTIVE COVERING FOR REINFORCEMENT, UNLESS NOTED OTHERWISE, SHALL BE AS FOLLOWS:  
A. SURFACES CAST AGAINST AND PERMANENTLY IN CONTACT WITH EARTH, 3.0"  
B. FORMED SURFACES IN CONTACT WITH EARTH OF EXPOSED TO WEATHER #5 BARS, 5/8" DIAMETER WIRE, AND SMALLER, 1.5"  
#6 THROUGH #11 BARS, 2.0"  
C. SURFACES NOT IN CONTACT WITH EARTH OR EXPOSED TO WEATHER WALLS, SLABS, JOISTS #11 AND SMALLER, 1.0"
- REINFORCEMENT SHALL BE CONTINUOUS AROUND CORNERS AND AT INTERSECTIONS. PROVIDE LAPPED BARS AT NECESSARY SPLICES OR HOOKED BARS AT DISCONTINUOUS ENDS. SEE SCHEDULE THIS DRAWING FOR REQUIRED REBAR LAP SPLICE LENGTHS.
- WELDING OF REINFORCEMENT IS NOT PERMITTED.
- FOR ALL OPENINGS IN CONCRETE WALLS AND SLABS, PROVIDE SUPPLEMENTAL REINFORCING AROUND OPENING AS SHOWN ON THE CONTRACT DOCUMENTS TYPICAL DETAILS.
- PROVIDE A MIN. 15 MIL. POLYOLEFIN GEOMEMBRANE TYPE VAPOR BARRIER UNDER INTERIOR SLABS CAST ON GRADE. SEE TYPICAL DETAILS FOR SPECIFIC UNDERSLAB PREPARATION REQUIREMENTS.
- CONTRACTION/CONTROL JOINTS SHOWN ON DRAWINGS ARE MANDATORY. OMISSIONS, ADDITIONS, OR CHANGES SHALL NOT BE MADE EXCEPT WITH THE SUBMITTAL OF A WRITTEN REQUEST TOGETHER WITH DRAWINGS OF THE PROPOSED JOINT LOCATIONS FOR APPROVAL BY THE STRUCTURAL ENGINEER.
- WHERE CONTROL JOINTS ARE NOT SHOWN, OR WHEN ALTERNATE LOCATIONS ARE PROPOSED, DRAWINGS SHOWING LOCATIONS(S) OF CONTRACTION AND CONTROL JOINTS AND CONCRETE PLACING SEQUENCE SHALL BE SUBMITTED TO THE STRUCTURAL ENGINEER FOR APPROVAL PRIOR TO PREPARATION OF THE REINFORCEMENT SHOP DRAWINGS.
- SPACING OF CONSTRUCTION OR CONTRACTION JOINTS, UNLESS NOTED OTHERWISE SHALL BE AS FOLLOWS:  
A. FOOTINGS AND WALLS MAX LENGTH 40'-0" NOR 15'-0" FROM ANY CORNER\*\*  
B. SLABS ON GRADE MAX LENGTH 30'0"\*\*\* MAX AREA 900SF\*\* PLACED IN ALTERNATE PANELS  
\*\* EXCEED ONLY WHERE INTERMEDIATE CONTRACTION JOINTS ARE PROVIDED. MINIMUM OF 72 HOURS SHALL ELAPSE BETWEEN ADJACENT CONCRETE PLACEMENTS.
- CONCRETE SHALL BE PLACED WITHOUT HORIZONTAL CONSTRUCTIONS JOINTS EXCEPT WHERE SHOWN OR NOTED. VERTICAL CONSTRUCTION JOINTS AND STOPS IN CONCRETE WORK SHALL BE MADE AT MIDSPAN OR AT POINTS OF MINIMUM SHEAR.
- SILL PLATE ANCHOR RODS SHALL BE AS DEPICTED WITHIN, CONFORMING TO ASTM A 307, GRADE 36 KSI WELDABLE STEEL. UNLESS NOTED OTHERWISE ON THE DRAWINGS, ANCHOR RODS THAT ARE TO BE IN CONTACT WITH PRESSURE TREATED LUMBER SHALL BE HOT-DIPPED GALVANIZED.

- ALL GROUT BENEATH BASE PLATES & BEARING PLATES SHALL BE "5-STAR" 5000 PSI NON-SHRINK GROUT BY U.S. GROUT CORP., OR APPROVED EQUAL.
- INSTALLATION OF REINFORCEMENT SHALL BE COMPLETE AT LEAST 24 HOURS PRIOR TO THE SCHEDULED CONCRETE PLACEMENT. NOTIFY STRUCTURAL ENGINEER OF COMPLETION AT LEAST 24 HOURS PRIOR TO THE SCHEDULED COMPLETION OF THE INSTALLATION OF REINFORCEMENT.

**STRUCTURAL STEEL NOTES**

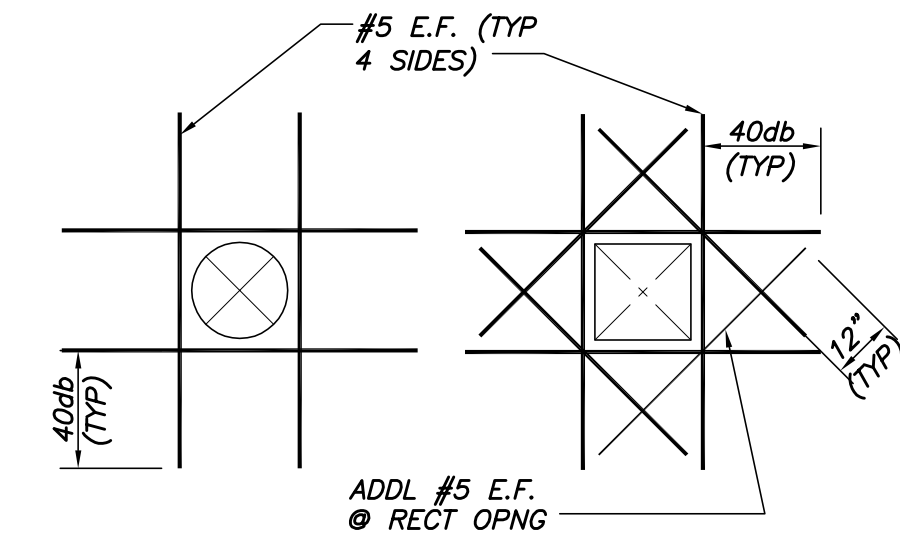
- STRUCTURAL STEEL FABRICATION, ERECTION, AND CONNECTION DESIGN SHALL CONFORM TO AISC "SPECIFICATION FOR THE DESIGN FABRICATIONS, AND ERECTION OF STRUCTURAL STEEL" 13TH EDITION, AND THE "CODE OF STANDARD PRACTICE", LATEST EDITION.
- STRUCTURAL STEEL: STEEL PLATES, SHAPES, AND BARS, SHALL CONFORM TO ASTM A36 UNLESS NOTED OTHERWISE (U.N.O.). STRUCTURAL STEEL SHAPES DESIGNATED ON THE DRAWINGS FOR WIDE-FLANGE SECTIONS: ASTM A992 (ASTM A572 GRADE 50 WITH SPECIAL REQUIREMENTS PER AISC TECHNICAL BULLETIN #3 DATED MARCH, 1997)
- STRUCTURAL TUBING: CONFORM TO ASTM A500 GRADE B, 46 KSI.
- FIELD CONNECTIONS SHALL BE BOLTED USING 3/4" DIAMETER ASTM A325N HIGH STRENGTH BOLTS (U.N.O.) EXCEPT WHERE SLIP CRITICAL CONNECTIONS ARE REQUIRED AS NOTED BY A325 (SC) ON THE DRAWINGS.
- WHERE WELDING IS INDICATED, ALL WELDING SHALL CONFORM TO AWS D1.1-LATEST EDITION. ELECTRODES SHALL CONFORM TO AWS A5.1 E70XX SERIES WITH PROPER ROD TO PRODUCE OPTIMUM WELD (LOW HYDROGEN)
- DESIGN AND DETAIL ALL CONNECTIONS ACCORDING TO AISC STANDARD CONNECTION TABLES. DESIGN STANDARD BEAM CONNECTIONS FOR THE MAXIMUM LOAD CAPACITY OF THE MEMBER. BRACING CONNECTIONS HAVE BEEN DETAILED ON THE DRAWINGS.
- ALL STEEL SHALL BE FABRICATED AND SHIPPED AS BARE UN-PAINTED STEEL, EXCEPT STEEL PERMANENTLY EXPOSED TO WEATHER. ALL STEEL EXPOSED TO WEATHER SHALL BE PAINTED WITH THE FABRICATOR'S RUST INHIBITIVE PRIMER, TNEPEC 10-99 OR EQUAL AND TOP COATED WITH TNEPEC SERIES 2 GLOSS ENAMEL OR HOT DIPPED GALVANIZED AS INDICATED ON THE DRAWINGS.
- SEE CONCRETE NOTES AND DRAWINGS FOR ANCHOR BOLT INFORMATION, TYP.
- COAT ALL COLUMNS, BASEPLATES, AND BRACE ELEMENTS ENCASED IN CONCRETE OR BELOW GRADE WITH BITUMINOUS MASTIC ON TNEPEC H.B. TNEPECOL (46-46S) COAT TAR PAINT.
- PROVIDE 3/8" MINIMUM STIFFENER PLATES EACH SIDE OF BEAM WEB AT BEAMS FRAMING OVER COLUMNS AND AT COLUMNS OVER BEAMS.
- PROVIDE 1/4" THICK LEVELING PLATE AND 3/4"± OF NON-SHRINK GROUT UNDER ALL COLUMN BASE PLATES UNLESS OTHERWISE NOTED. LEVELING PLATES SHALL BE SET AND GROUTED PRIOR TO ERECTING COLUMNS.
- PROVIDE ALL ANGLES, PLATES, ANCHORS, BOLTS, ETC., SHOWN ON ARCHITECTURAL DRAWINGS.

**TIMBER NOTES**

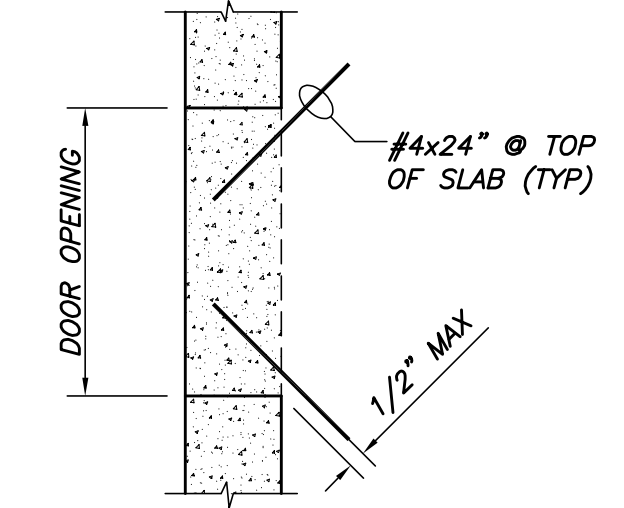
- ALL TIMBER FRAMING SHALL BE IN ACCORDANCE WITH THE AITC TIMBER CONSTRUCTION MANUAL-LATEST EDITION, AND THE AF & PA NATIONAL DESIGN SPECIFICATION FOR WOOD CONSTRUCTION (NDS) 2001 EDITION.
- INDIVIDUAL TIMBER FRAMING MEMBERS SHALL BE VISUALLY GRADED. MINIMUM GRADE NO1/NO2 SPRUCE-PINE-FIR KILN DRIED TO 19% MAXIMUM MOISTURE CONTENT UNLESS OTHERWISE INDICATED ON THE DRAWINGS.
- ENGINEERED WOOD PRODUCTS SHALL BE AS SPECIFIED ON THE DRAWINGS. REFER TO MANUFACTURER'S LITERATURE FOR PROPER HANDLING AND INSTALLATION GUIDELINES. MANUFACTURER AND PRODUCT SHALL BE:  
**TRUS-JOIST:** I-JOIST (TJI), PARALLAM (PSL), MICROLAM (LVL), TIMBERSTRAND (LSL) BOISE;  
I-JOIST (BCI), VERSALAM (LVL)
- SUBSTITUTIONS OF ENGINEERED WOOD MATERIALS OTHER THAN THOSE SPECIFIED WILL BE PERMITTED ONLY WITH WRITTEN CERTIFICATION FROM THE MANUFACTURER THAT SUBSTITUTED ITEMS "MEETS OR EXCEED" ALL PROPERTIES OF SPECIFIED PRODUCT, INCLUDING ENGINEERING AND DURABILITY CHARACTERISTICS. SUBSTITUTIONS ARE SUBJECT TO APPROVAL BY THE ARCHITECT AND ENGINEER.
- PRESSURE TREATED LUMBER SHALL BE USED FOR SILL MEMBERS, EXTERIOR EXPOSURE, OR WHERE SHOWN ON THE DRAWINGS. TIMBER SHALL BE SOUTHERN YELLOW PINE TREATED WITH CCA OR ACQ TO 0.4 #/CF IN ACCORDANCE WITH AWPA C-18. ACZA IS STRICTLY PROHIBITED.
- ALL ROOF AND WALL SHEATHING SHALL BE APA PERFORMANCE-RATED. PROVIDE 5/8" THICK CD-X ROOF SHEATHING AND 1/2" THICK WALL SHEATHING (U.N.O.) SEE SHEARWALL SCHEDULE FOR NAILING REQUIREMENTS EXCLUSIVE TO SHEARWALLS. SHEATHING SHALL BE NAILED TO THE FRAMING AS FOLLOWS, U.N.O.:
- FLOOR SHEATHING SHALL BE 3/4", APA RATED TONGUE AND GROOVE PANELS. GLUE AND NAIL TO FLOOR FRAMING WITH 8d RING SHANK NAILS AT 6" O.C. AT SUPPORTED PANEL EDGES AND 12" O.C. AT INTERMEDIATE SUPPORTS.
- ALL BUILT-UP BEAMS AND COLUMNS SHALL BE NAILED AS FOLLOWS (FASTENING IN EACH PLY):  
**UNIFORMLY LOADED BEAMS:**  
BEAM DEPTH <16" - 2 ROWS OF 16d NAILS AT 12" O.C., STAGGERED  
BEAM DEPTH >=16" - 3 ROWS OF 16d NAILS AT 12" O.C. STAGGERED  
NOTE: SIDE LOADED BEAMS REQUIRE ADDITIONAL FASTENING. SEE DETAILS.  
**COLUMNS:**  
2-10d NAILS AT 6" O.C.
- FASTENING NOT SPECIFIED SHALL CONFORM WITH IBC (2003) TABLE 2304.9.1. NAIL FASTENERS SHALL MEET THE REQUIREMENTS OF ASTM F1667, UNLESS NOTED OTHERWISE, NAILS REFERENCED ON DRAWINGS ARE TO BE COMMON NAILS WITH DIMENSIONS AS FOLLOWS:  
6d: 2" LONG BY 0.113" DIAMETER SHANK WITH 0.266" DIAMETER HEAD  
8d: 2 1/2" LONG BY 0.131" DIAMETER SHANK WITH 0.281" DIAMETER HEAD  
10d: 3" LONG BY 0.148" DIAMETER SHANK WITH 0.312" DIAMETER HEAD  
12d: 3 1/2" LONG BY 0.148" DIAMETER SHANK WITH 0.312" DIAMETER HEAD  
16d: 3 1/2" LONG BY 0.162" DIAMETER SHANK WITH 0.344" DIAMETER HEAD  
20d: 4" LONG BY 0.192" DIAMETER SHANK WITH 0.406" DIAMETER HEAD  
30d: 4 1/2" LONG BY 0.207" DIAMETER SHANK WITH 0.438" DIAMETER HEAD
- ALL TIMBER CONNECTION HARDWARE (JOIST HANGERS, POST BASES, SHEARWALL HOLD-DOWNS, ETC) SHALL BE AS INDICATED ON THE DRAWINGS AND MANUFACTURED BY SIMPSON STRONG-TIE. ALL CONNECTION HARDWARE SHALL BE HOT-DIPPED GALVANIZED G-90 (U.N.O.). CONNECTION HARDWARE USED IN CONTACT WITH PRESERVATIVE TREATMENT SHALL BE GALVANIZED G185 (ZMAX) USE FASTENERS AND HANGERS OF SAME MATERIAL & COATING. REFER TO MANUFACTURER'S LITERATURE FOR PROPER HANDLING AND INSTALLATION GUIDELINES.
- FASTENERS USED IN CONTACT WITH PT LUMBER SHALL BE HOT DIPPED GALVANIZED (ASTM A153), STAINLESS STEEL, OR OTHER FINISH AS APPROVED BY THE ENGINEER.

**WOOD TRUSS NOTES**

- TRUSSES SHALL BE DESIGNED, FABRICATED, ERECTED, AND BRACED IN ACCORDANCE WITH WTCA/TPI BCSI 1-03 BOOKLET (SUPERSEDING HIB-91) AS NOTED IN THE NOTES AND SPECIFICATIONS AND ALL OTHER APPLICABLE CODES.
- ERECTION AND TEMPORARY BRACING SHALL CONFORM TO WTCA/TPI BCSI 1-03, LATEST EDITION.
- SEE ROOF FRAMING PLAN(S) FOR TRUSS ORIENTATION AND LOCATIONS
- SEE TRUSS ELEVATIONS FOR TRUSS PROFILES, BEARING CONDITIONS, AND LOADING.
- PERMANENT CONTINUOUS LATERAL BRACING, INDICATED BY THE TRUSS DESIGNER, WILL BE REVIEWED DURING THE SHOP DRAWING PHASE. DIAGONAL STRUTS AND CONNECTIONS INDICATED ON THIS SHOP DRAWING SHALL BE APPLIED UNLESS NOTED IN WRITING BY THE STRUCTURAL ENGINEER OF RECORD.
- TRUSS DESIGNER SHALL DESIGN TRUSS TO MINIMIZE CONTINUOUS LATERAL BRACING REQUIRED TO BE INSTALLED IN THE FIELD.
- TRUSS DESIGNER SHALL PROVIDE ALL CONNECTION DESIGN FOR TRUSS TO TRUSS CONNECTIONS.
- ALL TRUSSES SHALL BE DESIGNED FOR UNBALANCED LOADS.
- TRUSS MANUFACTURER SHALL SUBMIT A TRUSS PLACEMENT DRAWING INDICATING THE FOLLOWING:  
A. SLOPE  
B. SPAN  
C. SPACING  
D. TRUSS NUMBER THAT CORRESPONDS TO TRUSS DESIGN DRAWING.  
E. LOCATION OF PERMANENT LATERAL BRACING. LOCATION OF BRACING SHALL BE INDICATED ON THE TRUSSES BY EITHER A TAG OR A PAINT MARK.
- SUBMIT TRUSS DESIGN DRAWINGS/CALCULATIONS STAMPED BY A PROFESSIONAL ENGINEER REGISTERED IN THE STATE OF MAINE.
- TRUSS DESIGN DRAWINGS SHALL INCLUDE THE FOLLOWING:  
A. SLOPE, SPAN, AND SPACING  
B. LOCATIONS OF ALL JOINTS  
C. REQUIRED BEARING WIDTHS  
D. CHORD AND WEB MEMBER SIZE, GRADE, AND SPECIES  
E. CALCULATED HORIZONTAL DEFLECTION AND VERTICAL DEFLECTION  
F. MAXIMUM AXIAL AND COMPRESSION FORCES IN EA. MEMBER OF THE TRUSS  
G. REQUIRED PERMANENT TRUSS BEARING LOCATIONS
- CONTRACTOR SHALL CONSULT WITH THE TRUSS MANUFACTURER ON THE RECOMMENDED PROCEDURES FOR STORAGE AND ERECTION OF THE TRUSSES.
- CONTRACTOR SHALL NOTIFY STRUCTURAL ENGINEER OF RECORD 48 HOURS IN ADVANCE OF COMPLETION OF THE TRUSS INSTALLATION AND PERMANENT BRACING COMPLETION SO THAT AN INSPECTION CAN BE SCHEDULED. ENCLOSING THE ATTIC SPACE OR INSULATING THE TRUSSES SHALL NOT PROCEED WITHOUT WRITTEN OR VERBAL APPROVAL OF THE BRACING BY THE STRUCTURAL ENGINEER OF RECORD.

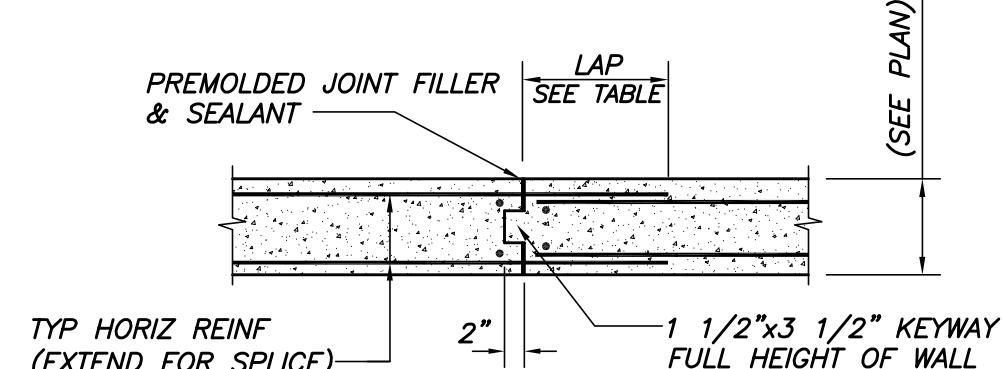


TYP OPENING IN WALL OR SLAB DETAIL  
N.T.S.



NOTE: ALSO PROVIDE #4x24" (TOP) IN SLAB @ INSIDE RE-ENTRANT CORNERS (SEE PLAN)

TYP SLAB CORNER DETAIL @ DOOR  
N.T.S.



NOTE: COORD LOCATIONS OF CONSTRUCTION JOINTS WITH BRICK EXPANSION JOINTS

TYP CONSTRUCTION JOINT IN WALL  
N.T.S.

THIS DRAWING IS AN INSTRUMENT OF SERVICE AND SHALL REMAIN THE PROPERTY OF BECKER STRUCTURAL ENGINEERS INC. IT SHALL NOT BE REPRODUCED, COPIED, LENT, OR DISPOSED OF DIRECTLY OR INDIRECTLY, NOR USED FOR ANY PURPOSE OTHER THAN FOR WHICH IT IS SPECIFICALLY FURNISHED AND MUST BE RETURNED TO BECKER STRUCTURAL ENGINEERS INC. ON COMPLETION OF WORK. IF REQUESTED.

**BECKER**  
STRUCTURAL ENGINEERS  
75 Park Street, Portland, Maine 04101  
207.875.8538 • beckerstructural.com

Project: \_\_\_\_\_  
Issued For: \_\_\_\_\_  
Date: 07/02/12  
Rev. No: \_\_\_\_\_  
PERMIT APPLICATION - NOT FOR CONSTRUCTION

TOWN HOUSE A & B  
& 11 LAWRENCE STREET  
GENERAL NOTES & TYP FND DETAILS

Designed	NRM	Scale	NOTED
Drawn	MSK	Date	07/02/12
Checked	NRM	Becker Job Number	2813