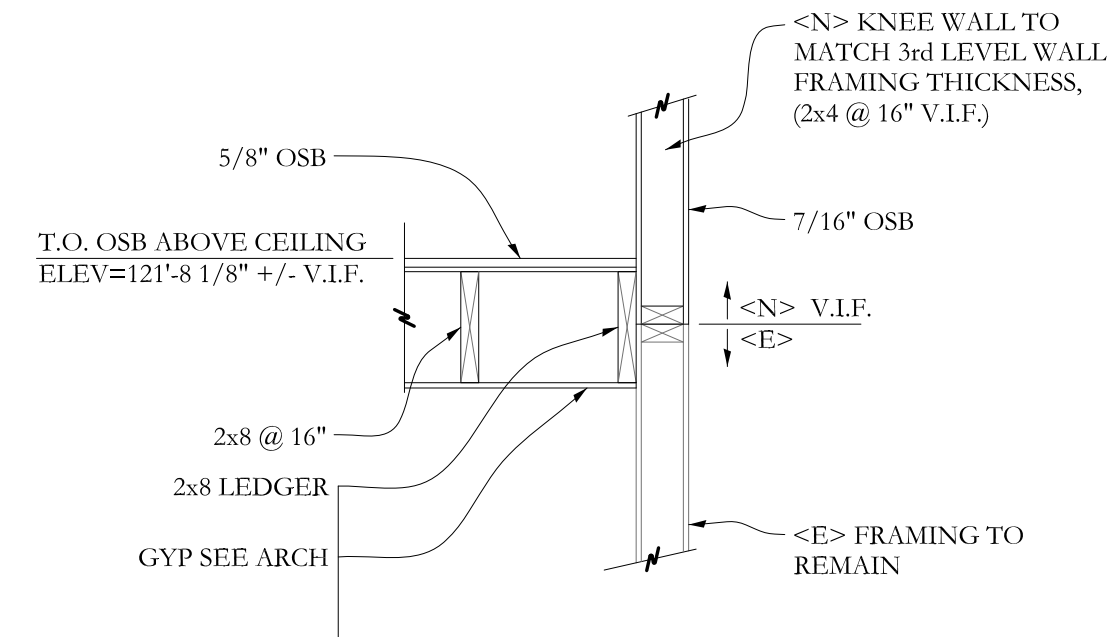
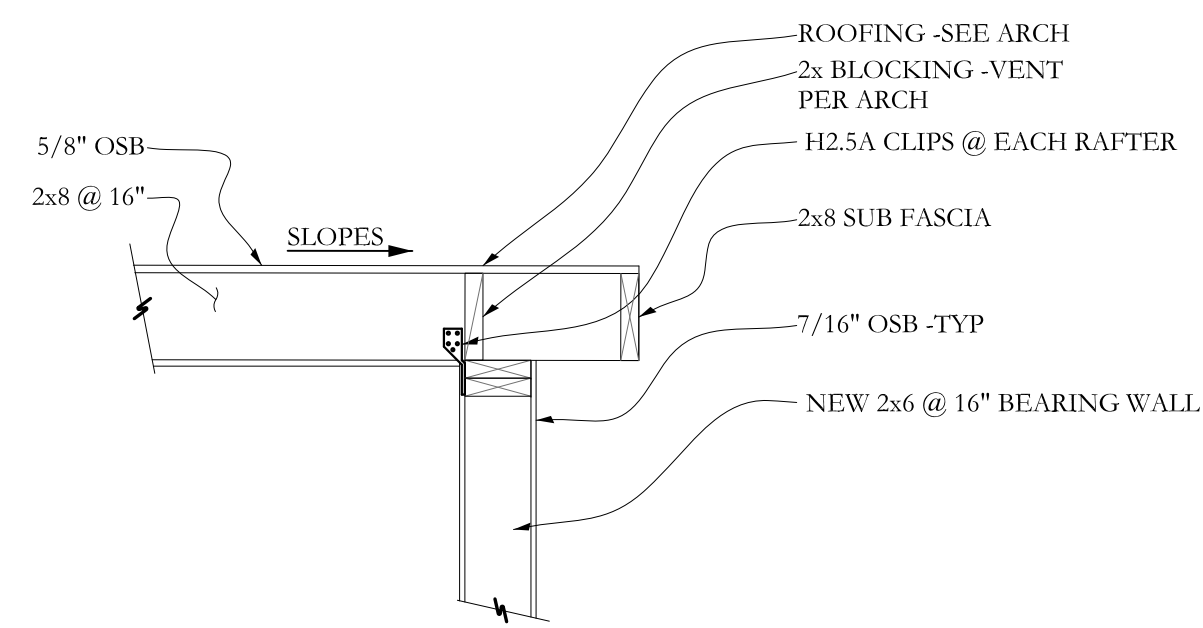


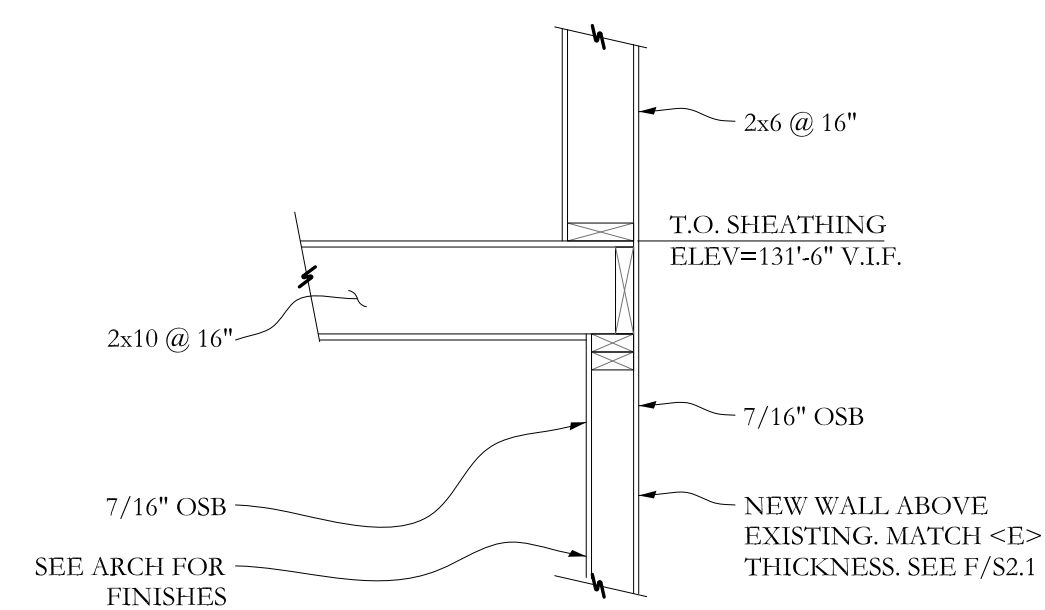
SECTION E 3/4"=1'-0



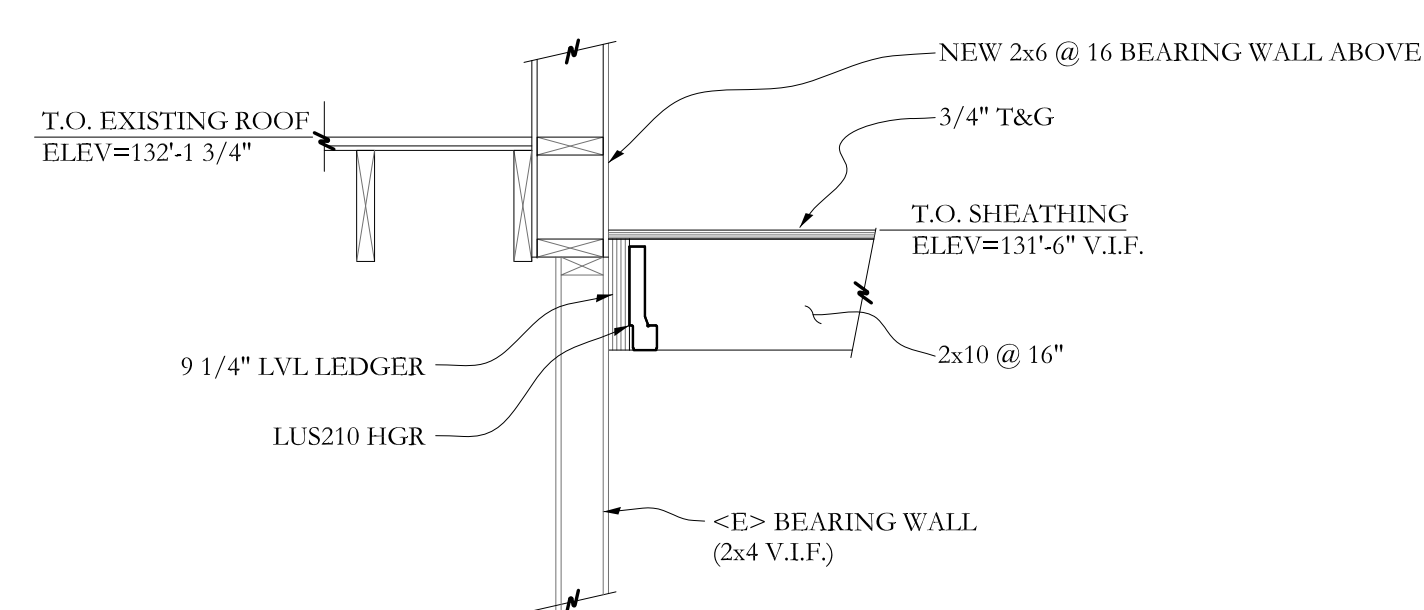
SECTION F 3/4"=1'-0



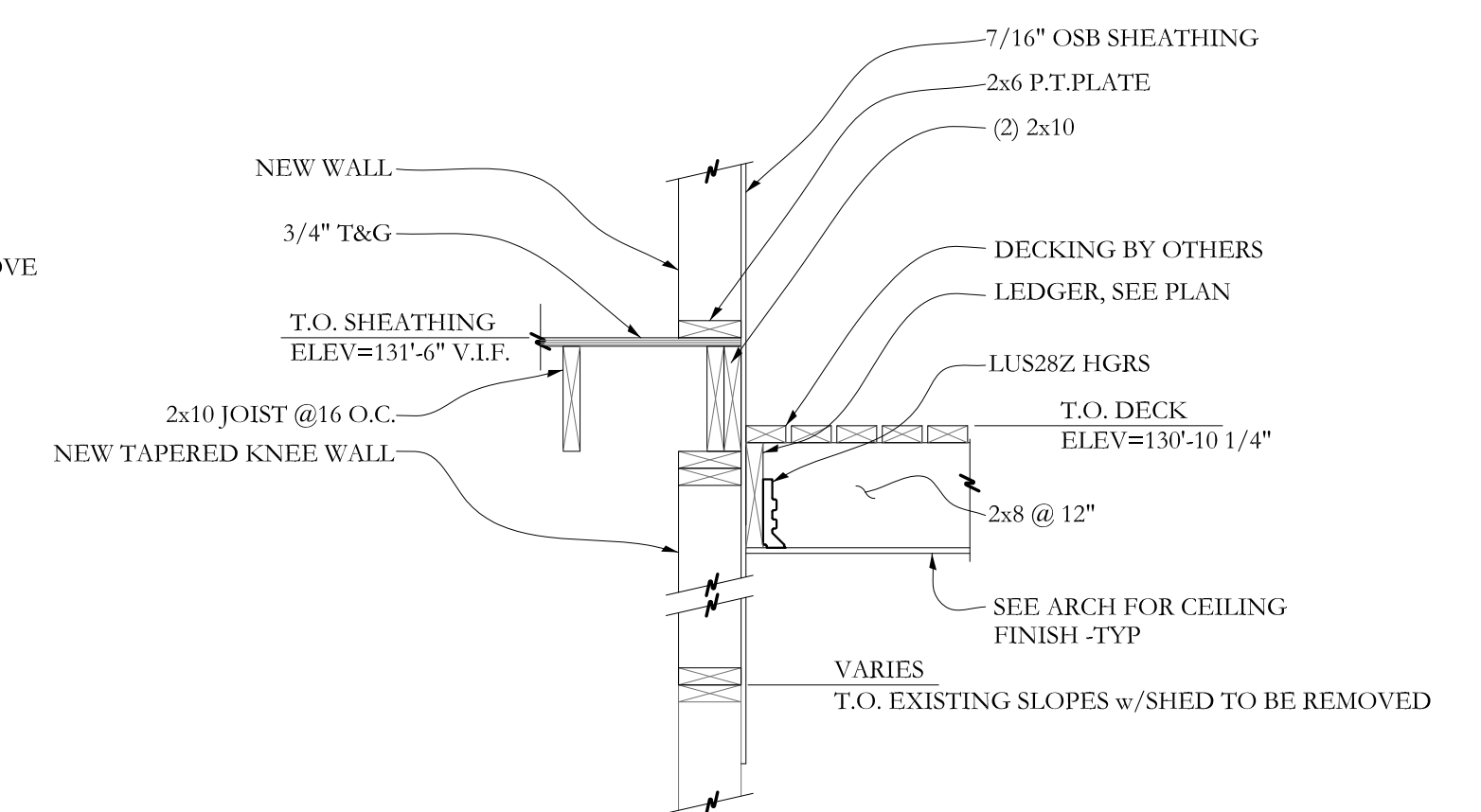
SECTION A 3/4"=1'-0



SECTION B 3/4"=1'-0



SECTION C 3/4"=1'-0



SECTION D 3/4"=1'-0